



Bar code scanners
CLV42x / CLV420 / Standard Range

CLV420-0010



Model Name > [CLV420-0010](#)
Part No. > [1022031](#)



At a glance

- Easy to configure
- Small housing
- Standard, long-range and high-density versions available
- Front or side reading window versions
- CAN bus compatible
- High scanning frequency of up to 1,200 Hz
- Compatible with optional fieldbus gateways

Your benefits

- Accurate code identification even at high speeds
- Easily integrated into a variety of networks, providing flexibility
- Small size and simple setup enables fast installation, even in compact machines
- A variety of diagnostic options ensures easy access for configuration and troubleshooting
- Excellent price/performance ratio
- Parameter cloning plug ensures very short MTTR

Note: The product is currently being phased out and can be ordered until September 30, 2013. A replacement product can be found under "Replacement Products"



Features

Version:	Standard Range
Connection type:	Standard
Reading field:	Front
Scanner design:	Line scanner
Focus:	Fixed focus
Light source:	Visible red light
MTBF:	20,000 h
Laser class:	2 (DIN EN 60825-1)
Field of view:	≤ 50 °
Scanning frequency:	400 Hz ... 1,200 Hz
Code resolution:	0.2 mm ... 1 mm

Reading distance (at code resolution): 60 mm ... 365 mm (1 mm)

Performance

Bar code types: Interleaved 2 of 5, all current code types, Codabar, Code 128, Code 39, Code 93, EAN, EAN 128, Pharmacode, UPC

Print ratio: 2:1 ... 3:1

No. of codes per scan: 1 ... 3

No. of codes per reading interval: 1 ... 10 (auto-discriminating)

No. of characters per reading interval: 100

No. of multiple readings: 1 ... 99

Interfaces

Serial (RS-232, RS-422/485): ✓

Remark (Serial (RS-232, RS-422/485)): AUX (only RS-232)

Function (Serial (RS-232, RS-422/485)): Host, AUX

Data transmission rate (Serial (RS-232, RS-422/485)): 300 Baud ... 57,600 Baud , AUX: 9,600 Baud

Ethernet: -

Remark (Ethernet): optional via external connection module (CDM + CMF)

CAN bus: ✓

Function (CAN bus): CAN sensor network (Master/Slave, Multiplexer)

Protocol (CAN bus): CANopen, CSN (SICK CAN sensor network)

Data transmission rate (CAN bus): 20 kbit/s ... 1 Mbit/s

PROFIBUS: -

Remark (PROFIBUS): optional via external connection module (CDM + CMF)

PROFINET: -

DeviceNet: -

Remark (DeviceNet): optional via external connection module (CDM + CMF)

Switching inputs: 2 ("Sensor 1", "Sensor 2")

Switching outputs: 2 ("Result 1", "Result 2")

Reading pulse: non-powered, Reflector polling, "Sensor 1" switching input, serial interface

Optical indicators: 4 LEDs (function indicator)

Acoustic indicators: Beeper/buzzer (can be switched off, can be allocated as a result status indication function)

Mechanics/electronics

Electrical connection: 1 15-pin D-Sub HD plug (0.9 m)

Operating voltage: 10 V DC ... 30 V DC ¹⁾

Power consumption: 3.5 W

Housing: Die-cast zinc, does not contain paint wetting impairment substances

Housing color: light blue (RAL 5012)

Enclosure rating: IP 65 (DIN 40 050)

Protection class: III (VDE 0106)

Weight: 250 g, with connecting cable

Dimensions: 59 mm x 62.7 mm x 35.2 mm

¹⁾ UL certified for use with a Class 2 mains supply unit (checked to UL 1310)

Ambient data

Electromagnetic compatibility (EMC): EN 61000-6-2/EN 55011

Vibration resistance: IEC 68-2-6 Test FC

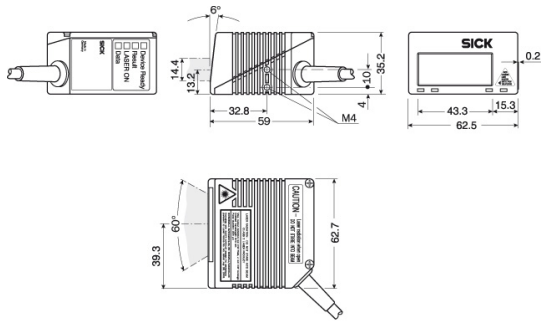
Shock resistance: IEC 68-2-27 Test EA

Ambient operating temperature: 0 °C ... 40 °C
 Storage temperature: -20 °C ... 70 °C
 Permissible relative humidity: ± 90 %, non-condensing
 Ambient light safety: 2,000 lx, on bar code
 Bar code print contrast (PCS): ≥ 60 %

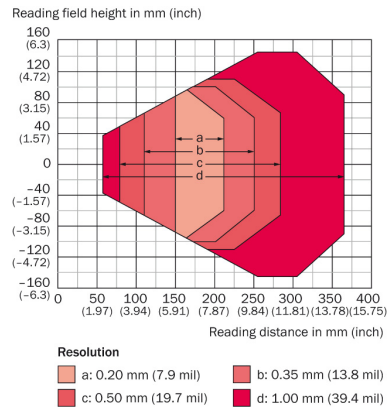
General notes

Life cycle phase: phased out

Dimensional drawing



Reading field diagram



Australia

Phone +61 3 9497 4100
1800 334 802 – tollfree
E-Mail sales@sick.com.au

Belgium/Luxembourg

Phone +32 (0)2 466 55 66
E-Mail info@sick.be

Brasil

Phone +55 11 3215-4900
E-Mail sac@sick.com.br

Canada

Phone +1(952) 941-6780
1 800-325-7425 – tollfree
E-Mail info@sickusa.com

Ceská Republika

Phone +420 2 57 91 18 50
E-Mail sick@sick.cz

China

Phone +852-2763 6966
E-Mail ghk@sick.com.hk

Danmark

Phone +45 45 82 64 00
E-Mail sick@sick.dk

Deutschland

Phone +49 211 5301-301
E-Mail kundenservice@sick.de

España

Phone +34 93 480 31 00
E-Mail info@sick.es

France

Phone +33 1 64 62 35 00
E-Mail info@sick.fr

Great Britain

Phone +44 (0)1727 831121
E-Mail info@sick.co.uk

India

Phone +91-22-4033 8333
E-Mail info@sick-india.com

Israel

Phone +972-4-999-0590
E-Mail info@sick-sensors.com

Italia

Phone +39 02 27 43 41
E-Mail info@sick.it

Japan

Phone +81 (0)3 3358 1341
E-Mail support@sick.jp

Magyarország

Phone +36 1 371 2680
E-Mail office@sick.hu

Nederlands

Phone +31 (0)30 229 25 44
E-Mail info@sick.nl

Norge

Phone +47 67 81 50 00
E-Mail austefjord@sick.no

Österreich

Phone +43 (0)22 36 62 28 8-0
E-Mail office@sick.at

Polska

Phone +48 22 837 40 50
E-Mail info@sick.pl

România

Phone +40 356 171 120
E-Mail office@sick.ro

Russia

Phone +7 495 775 05 30
E-Mail info@sick.ru

Schweiz

Phone +41 41 619 29 39
E-Mail contact@sick.ch

Singapore

Phone +65 6744 3732
E-Mail admin@sicksgp.com.sg

South Africa

Phone +27 11 472 3733
E-Mail info@sickautomation.co.za

South Korea

Phone +82-2 786 6321/4
E-Mail info@sickkorea.net

Slovenija

Phone +386 (0)1-47 69 990
E-Mail office@sick.si

Suomi

Phone +358-9-25 15 800
E-Mail sick@sick.fi

Sverige

Phone +46 10 110 10 00
E-Mail info@sick.se

Taiwan

Phone +886 2 2375-6288
E-Mail sales@sick.com.tw

Türkiye

Phone +90 216 528 50 00
E-Mail info@sick.com.tr

United Arab Emirates

Phone +971 4 8865 878
E-Mail info@sick.ae

USA/México

Phone +1(952) 941-6780
1 800-325-7425 – tollfree
E-Mail info@sickusa.com

More representatives and agencies
at www.sick.com