

SLF2 - Street Lighting Cut Out



Overview

- Single pole street lighting cut out for 25A tag type fuse links suitable for combined neutral and earth (CNE) and separate neutral and earth (SNE) supply systems
- Double pole version for CNE systems
- NEW version with insulation piercing connectors (IPC) for use when insulation shrink back is identified
- Torque control hex-head terminal screws
- Improved terminal block layout for faster installation
- IP44 version (with optional grommet pack)

Features

- Cam operated lever for easy and safe fuse disconnection
- Compact product size for use in all column bases above 114mm diameter
- PA6 glass filled thermoplastic fuse carrier and base with interlocking covers
- Electro-tin plated terminal blocks and clips
- Terminal blocks equipped with serrated bores to improve electrical connection and 3mm hex-head brass pinching screws
- Terminal blocks accept up to 25mm² conductors
- Terminal blocks and contact clips retained by Torx security screws
- Fully shielded test probe access, provides additional safety for operatives when testing
- Clearly legible embossed terminal markings
- Supplied with two internal compression clips to safeguard against insulation shrink back
- Integral gland plate with cable entry via two 20mm diameter PVC conical grommets to accept a range of cable sizes
- Angled upper cable exit assists drip arrest
- Pre-loaded PZ2 (Pozidrive) corrosion resistant fixing screws supplied to attach unit to backboard
- Captive cover screws suitable for Pozidrive or slotted fixing
- Designed for separate DNO and Local Authority security seals
- Accepts fuse links to BS 88 Part 1 and AC16 offset tag type (supplied separately)
- Fully recyclable plastic and metallic parts

Table of versions

Part Code	Description
THM0052768	SLF – SP - Type 1 (SNE) with 3mm head screws and individually boxed
THM0052866	SLF – SP - Type 2 (CNE) with 3mm Hex head screws
THM0052888	SLF – SP - Type 2 (CNE) with 3mm Hex head screws and clear Polycarbonate cable cover
THM0053115	SLF – DP - Type 5 (CNE) with 3mm Hex head screws
THM0053170	SLF – DP - Type 5 (CNE) with 3mm Hex head screws and clear Polycarbonate cable cover
THM0048847	SLF – SP - Type 1 (SNE) IPC version with 3mm Hex Head screws
THM0041767	SLF – SP - Type 2 (CNE) IPC version with 3mm Hex Head screws

Note: The equipment described on this data sheet must be installed by suitably trained and qualified personnel

SLF2 - Street Lighting Cut Out



Construction

- Body excluding incoming cover PA6
- Clear incoming cable cover (Polycarbonate FR grade)
- Red incoming cable cover (ABS)
- Incoming/outgoing terminals electro-tin plated brass
- Contact clips electro-tin plated phosphor bronze
- Incoming cable grommets soft PVC
- Terminal screws brass - 3mm hex head
- Backboard fixing screws - bright zinc passivated steel

Performance

- Rated operational voltage 230VAC
- Rated frequency 50/60Hz
- Rated continuous current 25A
- Maximum environmental pollution Degree 3
- Environmental conditions. -25 to +40 Celsius
- IP rating (covers in place) IP22
- IP rating (optional grommets fitted) IP44

Recommended terminal torque settings

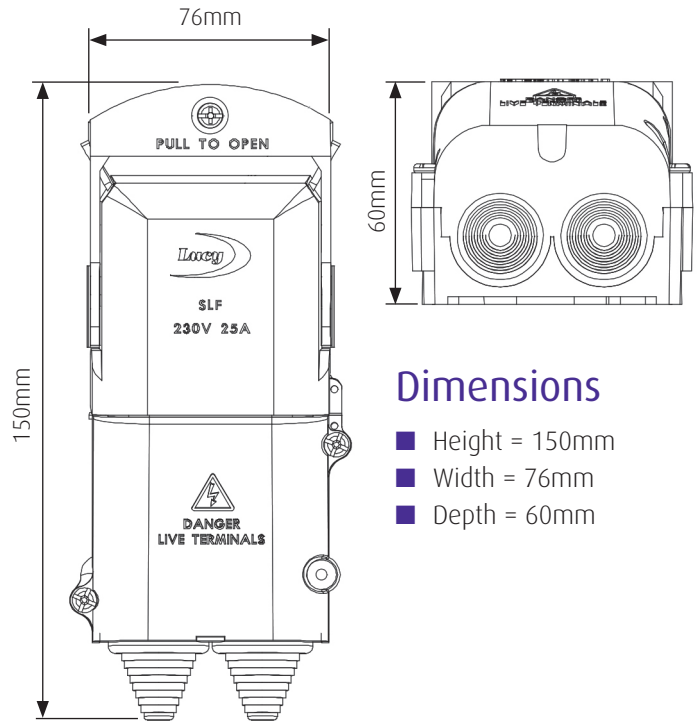
- Ø 6mm standard screw = 2.25Nm
- Ø 8mm IPC screw = 3.5Nm

Conformity to Standards

- Full conformity to BS 7654:
- IP rating according to BS EN 60529

Weight (grams)

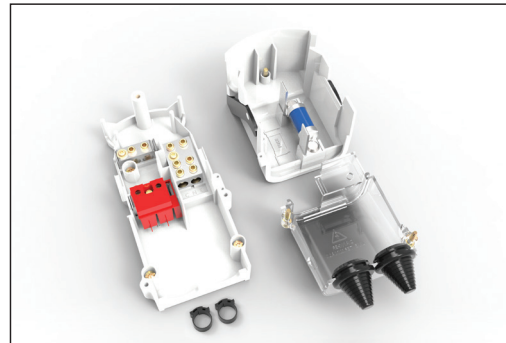
- CNE = 287g
- SNE = 315g



Dimensions

- Height = 150mm
- Width = 76mm
- Depth = 60mm

SLF-SP-Type 2-CNE THM0041767



SLF-SP-Type 1-SNE THM0048847

