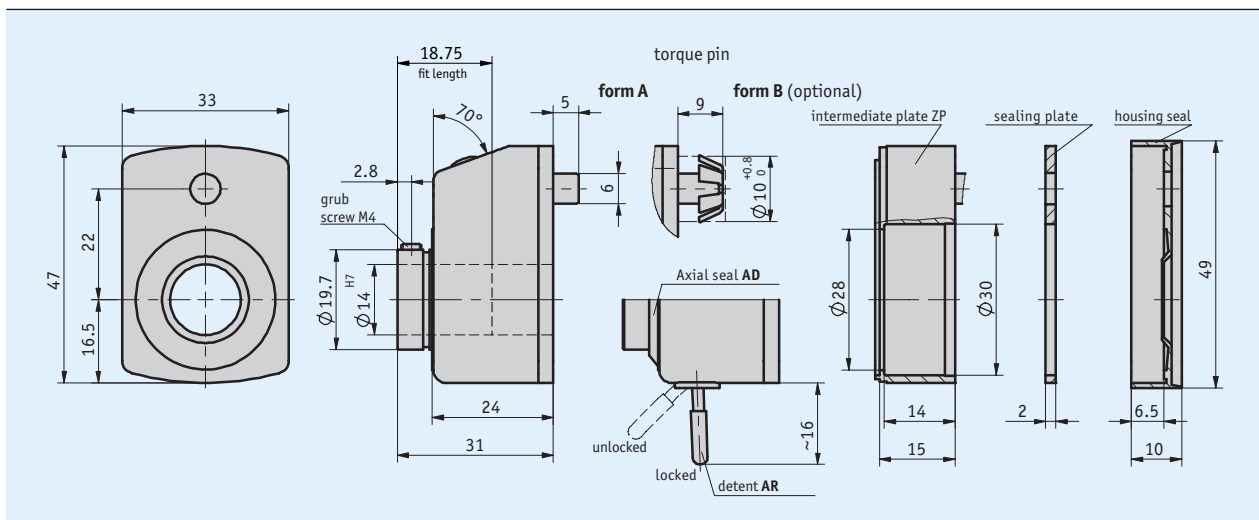


Profile

- Hollow shaft, max. Ø 14 mm
- Counter with 4 decades and fine reading
- Detent as an option
- Magnifying function for good readability
- Stainless-steel driving shaft as an option
- Axial seal, dustproof and splash-proof
- Clamping plate (see accessories)



Mechanical data

Feature	Technical data	Additional information
Housing	reinforced plastic	
Sight window	plastic	mineral glass as an option
Counter	4 decades, fine reading	
Digit height	~6 mm	
Weight	0.05 kg	

Max. speed

Display (after 1st revolution)	max. speed [rpm]
0010	500 (1500)
0015	500 (1000)
0020	500 (750)
0025	500 (600)
0030	500
0040	375
0050	300
0060	250
0080	180
0100	150

Formula:

$$\text{max. speed} = \frac{15000}{\text{indication after 1st revolution}}$$

Speeds >500 rpm must only be run for short periods.

Ambient conditions

Feature	Technical data	Additional information
Ambient temperature	0 ... 80 °C	

Order

Ordering information

Display	Mounting position				Counting direction
	02	04	06	07	

Hint: Texts highlighted in orange color are ordering features

Ordering table

Feature	Ordering data	Specification	Additional information
Mounting position	... A	02, 04, 06, 07	see the icons illustrating the mounting positions
Indication after 1st revolution	... B	10, 12/5, 15, 17/5, 20, 25, 30, 35, 40, 50, 60, 80, 100 others on request	/5 = arithmetical value not displayed
Decimal place	0 C	0 = 0000	
	1 C	1 = 000.0	
	2 C	2 = 00.00	
	3 C	3 = 0.000	
Counting direction	i D	clockwise ascending values	
	e D	counter-clockwise ascending values	
Hollow shaft/diameter	... E	12.7, 14, 15, 16 in mm	
	... E	VA5, VA10, VA14, VA15	stainless steel
	... E	RH4, RH6, RH8, RH10, RH12	reducing bushes
Color	0 F	orange RAL 2004	
	S F	black RAL 9005	
	GR F	gray RAL 7035	
	FR F	red RAL 3000	
Seal	OAD G	without additional seal	
	AD G	with axial seal	
	GD G	with axial and housing seal	sealing plate not applicable
Detent/hollow shaft	OAR H	without lock	
	AR H	with lock	vibration protection M ~20 Ncm, only for housing color 0 or S and hollow shaft 14, 15, VA14 or RH...r
Intermediate plate	OZP I	without intermediate plate	
	ZP I	with intermediate plate	not with seal "GD"

Order key



Scope of delivery: DA04

Accessories:

Reduction sleeve RH
Clamping plate KP04
Clamping plate KPL04

www.siko-global.com
www.siko-global.com
www.siko-global.com