



Enclosure for command devices, 22 mm, round, Enclosure material metal, Enclosure top part yellow, 1 control point metal, A=EMERGENCY STOP mushroom pushbutton red, 40 mm, rotate-to-unlatch, Control point in center, 1 NC, screw terminal, floor mounting, 1xM20 each on top and bottom

Figure similar

<b>Product brand name</b>	SIRIUS ACT
<b>Product designation</b>	Enclosures
<b>Product type designation</b>	3SU1
<b>Manufacturer's article number</b>	
<ul style="list-style-type: none"> <li>• of supplied contact module</li> </ul>	A1 = 3SU1400-2AA10-1CA0 <a href="#">3SU1400-2AA10-1CA0</a>
<ul style="list-style-type: none"> <li>• of supplied contact module at the command point A 1</li> </ul>	
<ul style="list-style-type: none"> <li>• of the supplied holder</li> </ul>	A = 3SU1550-0AA10-0AA0 <a href="#">3SU1550-0AA10-0AA0</a>
<ul style="list-style-type: none"> <li>• of the supplied holder at the command point A</li> </ul>	
<ul style="list-style-type: none"> <li>• of the supplied actuator</li> </ul>	A = 3SU1050-1HB20-0AA0 <a href="#">3SU1050-1HB20-0AA0</a>
<ul style="list-style-type: none"> <li>• of the supplied actuator at the command point A</li> </ul>	
<ul style="list-style-type: none"> <li>• of supplied empty enclosure</li> </ul>	<a href="#">3SU1851-0AA00-0AA2</a>

Enclosure	
<b>Design of the housing</b>	Command point in center
<b>Shape of the enclosure front</b>	Square
<b>Material of the enclosure</b>	metal

<b>Number of command points</b>	1
<b>Product component</b>	
• EMERGENCY STOP device	Yes
• protective collar	No
<b>Color</b>	
• of top part of the enclosure	yellow
<b>Delivery state</b>	
• as a kit	No
• pre-wired on strip terminal	No
<b>Mounting type of the enclosure</b>	Vertical

### Actuator

<b>Design of the operating mechanism</b>	Emergency stop mushroom pushbutton
Suitability for use EMERGENCY OFF switch	Yes
<b>Product feature</b>	
• lockout	No
<b>Product extension optional Light source</b>	No
<b>Color</b>	
• of the actuating element	Red
<b>Material of the actuating element</b>	plastic
<b>Shape of the actuating element</b>	round
<b>Number of contact modules</b>	1
<b>Type of unlocking device</b>	A = rotate-to-unlatch mechanism

### Front ring

<b>Product component front ring</b>	No
<b>Design of the front ring</b>	Standard

### Holder

<b>Material of the holder</b>	Metal
-------------------------------	-------

### Display

<b>Number of LED modules</b>	0
------------------------------	---

### General technical data

<b>Product function</b>	
• positive opening	Yes
• EMERGENCY OFF function	Yes
• EMERGENCY STOP function	Yes
<b>Protection class IP</b>	IP66, IP67, IP69(IP69K)
<b>Degree of protection NEMA rating</b>	NEMA 1, 2, 3, 3R, 4, 4X, 12, 13
<b>Shock resistance</b>	
• acc. to IEC 60068-2-27	Sinusoidal half-wave 50 g / 11 ms
<b>Vibration resistance</b>	
• acc. to IEC 60068-2-6	10 ... 500 Hz: 5g
<b>Continuous current of the C characteristic MCB</b>	10 A; for a short-circuit current smaller than 400 A

Continuous current of the quick DIAZED fuse link	10 A
Continuous current of the DIAZED fuse link gG	10 A
<b>Operating voltage</b>	
<ul style="list-style-type: none"> <li>• at AC <ul style="list-style-type: none"> <li>— at 50 Hz rated value</li> <li>— at 60 Hz rated value</li> </ul> </li> <li>• at DC <ul style="list-style-type: none"> <li>— rated value</li> </ul> </li> </ul>	5 ... 500 V 5 ... 500 V 5 ... 500 V

### Auxiliary circuit

<b>Design of the contact of auxiliary contacts</b>	Silver alloy
<b>Number of NC contacts</b>	
<ul style="list-style-type: none"> <li>• for auxiliary contacts</li> </ul>	1
<b>Number of NO contacts</b>	
<ul style="list-style-type: none"> <li>• for auxiliary contacts</li> </ul>	0
<b>Number of CO contacts</b>	
<ul style="list-style-type: none"> <li>• for auxiliary contacts</li> </ul>	0

### Connections/Terminals

<b>Type of electrical connection</b>	
<ul style="list-style-type: none"> <li>• of modules and accessories</li> </ul>	Screw-type terminal
<b>Type of electrical connection on enclosure</b>	Cable routing above and below, both 1 x M20
<b>Tightening torque of the screws in the bracket</b>	1 ... 1.2 N·m
<b>Tightening torque of mounting screws in the enclosure cover</b>	1.5 ... 1.7 N·m
<b>Tightening torque</b>	
<ul style="list-style-type: none"> <li>• with screw-type terminals</li> </ul>	0.8 ... 0.9 N·m

### Interfaces

<b>Design of the interface</b>	
<ul style="list-style-type: none"> <li>• for communication</li> </ul>	without

### Ambient conditions

<b>Ambient temperature</b>	
<ul style="list-style-type: none"> <li>• during operation</li> <li>• during storage</li> </ul>	-25 ... +70 °C -40 ... +80 °C
Environmental category during operation acc. to IEC 60721	3M6, 3S2, 3B2, 3C3, 3K6 (with relative air humidity of 10 ... 95 %, no condensation in operation permitted for all devices behind front panel)

### Installation/ mounting/ dimensions

<b>Mounting type</b>	
<ul style="list-style-type: none"> <li>• of modules and accessories</li> </ul>	Floor mounting
<b>Height</b>	89.4 mm
<b>Width</b>	85 mm
<b>Depth</b>	109 mm

Shape of the installation opening	round
-----------------------------------	-------

### Accessories

Number of labels	0
Marking of the name plate for command devices	A = I

### Certificates/approvals

General Product Approval	Declaration of Conformity
--------------------------	---------------------------



CCC



CSA



UL



VDE



EG-Konf.

Test Certificates	Marine / Shipping
-------------------	-------------------

[Declaration of the Compliance with the order](#)

[Special Test Certificate](#)



ABS



LRS



PRS



RINA

Marine / Shipping	other
-------------------	-------



RMRS



DNVGL.COM/AF

[Confirmation](#)

### Further information

**Information- and Downloadcenter (Catalogs, Brochures,...)**

<http://www.siemens.com/industrial-controls/catalogs>

**Industry Mall (Online ordering system)**

<https://mall.industry.siemens.com/mall/en/en/Catalog/product?mlfb=3SU1851-0NA00-2AA2>

**Cax online generator**

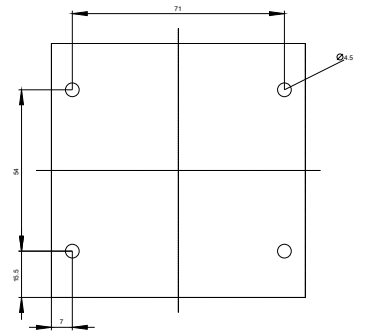
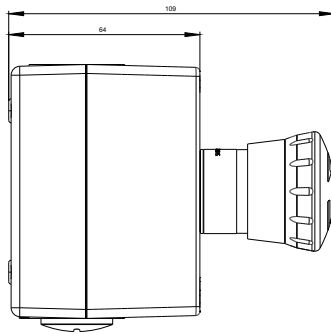
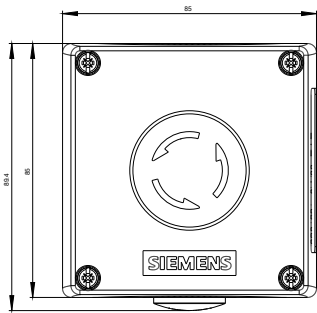
<http://support.automation.siemens.com/WW/CAXorder/default.aspx?lang=en&mlfb=3SU1851-0NA00-2AA2>

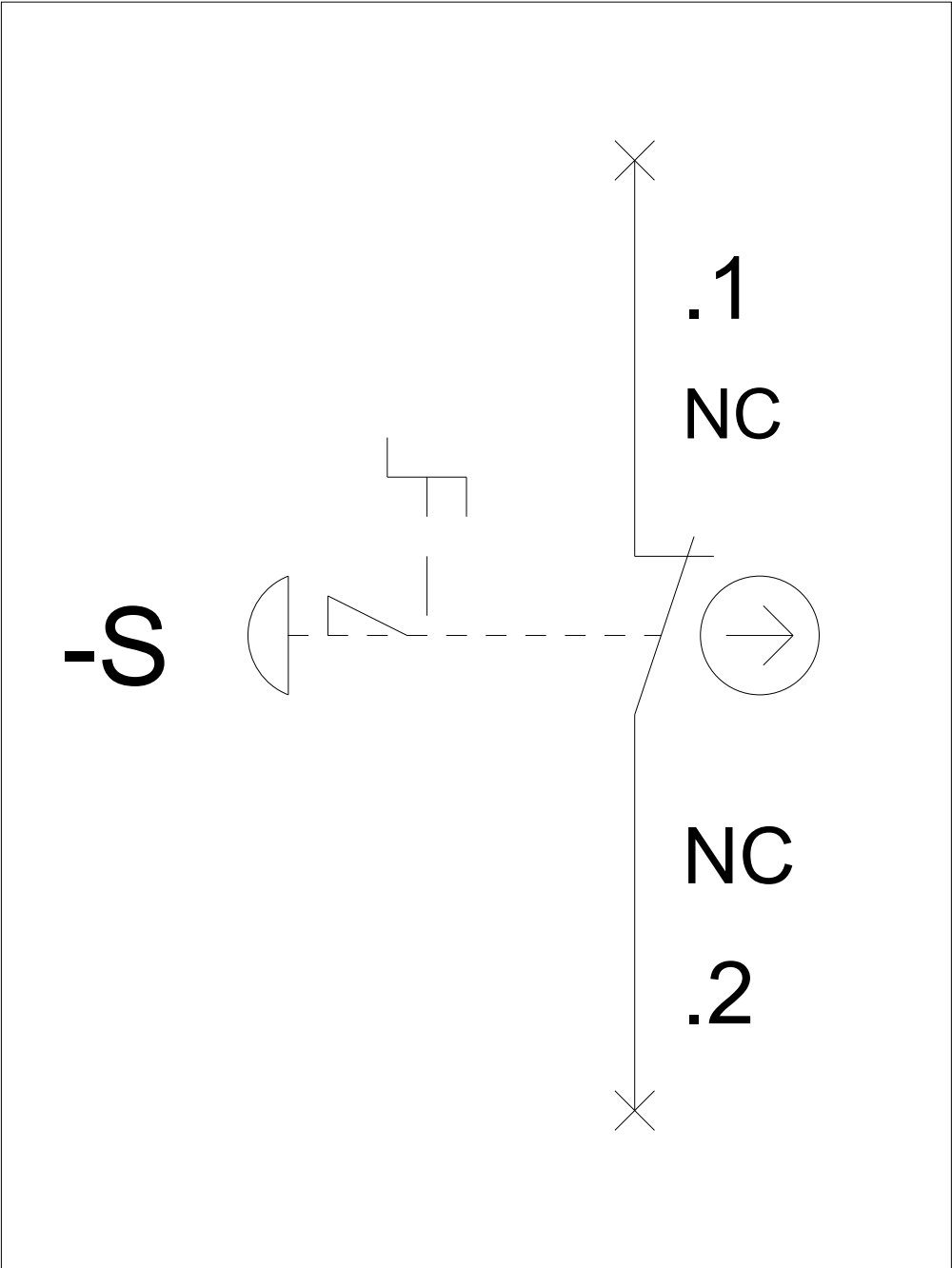
**Service&Support (Manuals, Certificates, Characteristics, FAQs,...)**

<https://support.industry.siemens.com/cs/ww/en/ps/3SU1851-0NA00-2AA2>

**Image database (product images, 2D dimension drawings, 3D models, device circuit diagrams, EPLAN macros, ...)**

[http://www.automation.siemens.com/bilddb/cax\\_de.aspx?mlfb=3SU1851-0NA00-2AA2&lang=en](http://www.automation.siemens.com/bilddb/cax_de.aspx?mlfb=3SU1851-0NA00-2AA2&lang=en)





last modified:

09/24/2018