



UE4155-01BC700

UE4155

NETWORK SOLUTIONS

SICK
Sensor Intelligence.



Ordering information

Type	Part no.
UE4155-01BC700	1024057

Other models and accessories → www.sick.com/UE4155



Detailed technical data

Safety-related parameters

Category	Category 4 (EN 954-1)
Performance level	EN ISO 13849
PFH_D (mean probability of a dangerous failure per hour)	1.33 x 10 ⁻⁹
T_M (mission time)	20 years

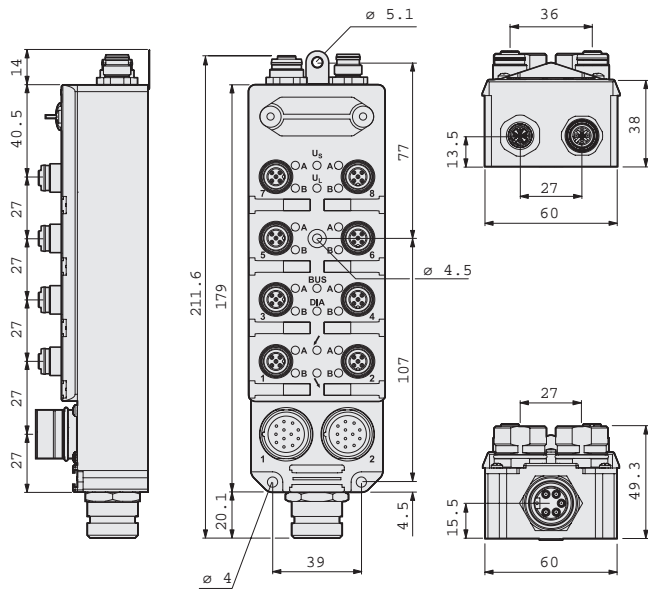
Mechanical data

Dimensions (W x H x D)	60 mm x 211.6 mm x 45 mm
Weight	620 g

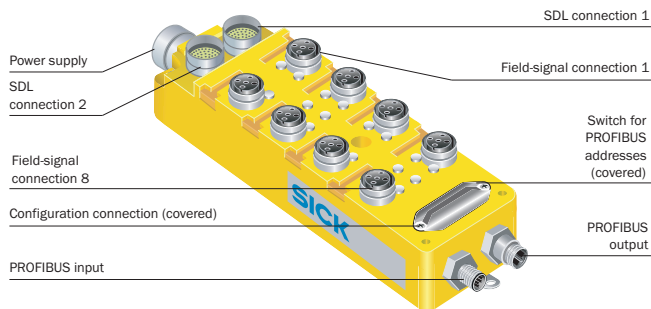
Classifications

ECl@ss 5.0	27371990
ECl@ss 5.1.4	27371990
ECl@ss 6.0	27371819
ECl@ss 6.2	27371819
ECl@ss 7.0	27371819
ECl@ss 8.0	27371819
ECl@ss 8.1	27371819
ECl@ss 9.0	27371819
ETIM 5.0	EC001449
ETIM 6.0	EC001449
UNSPSC 16.0901	41113704

Dimensional drawing (Dimensions in mm (inch))



Connection diagram



SICK AT A GLANCE

SICK is one of the leading manufacturers of intelligent sensors and sensor solutions for industrial applications. A unique range of products and services creates the perfect basis for controlling processes securely and efficiently, protecting individuals from accidents and preventing damage to the environment.

We have extensive experience in a wide range of industries and understand their processes and requirements. With intelligent sensors, we can deliver exactly what our customers need. In application centers in Europe, Asia and North America, system solutions are tested and optimized in accordance with customer specifications. All this makes us a reliable supplier and development partner.

Comprehensive services complete our offering: SICK LifeTime Services provide support throughout the machine life cycle and ensure safety and productivity.

For us, that is “Sensor Intelligence.”

WORLDWIDE PRESENCE:

Contacts and other locations –www.sick.com