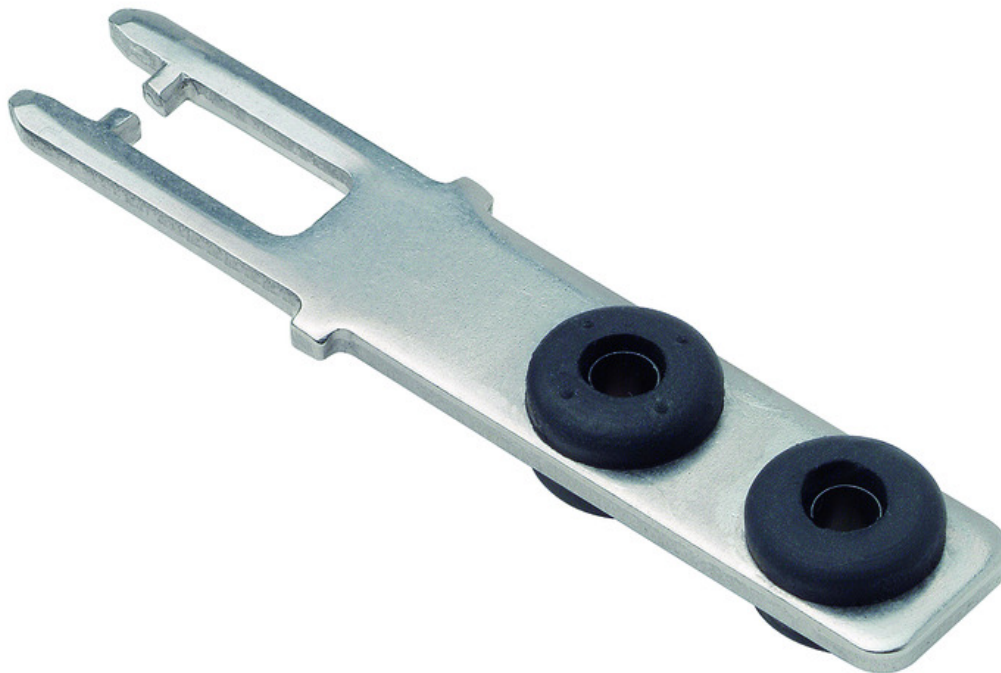


## ITEM 070046 BETAETIGER-P-GT

Description	Technical data	Accessories	Downloads
-------------	----------------	-------------	-----------



### Features

- › Actuators made of stainless steel
- › Two stainless safety screws per actuator
- › Actuators with rubber bushings

### Straight actuator

The straight actuator is used on sliding doors or hinged doors with door radii greater than 1000 mm. Safety screws prevent unscrewing of the actuator.

### Actuators with rubber bushings

For flexible mounting of the actuator.

### Screws made of stainless steel

The safety screws included can be inserted with a normal tool, but cannot be removed again.

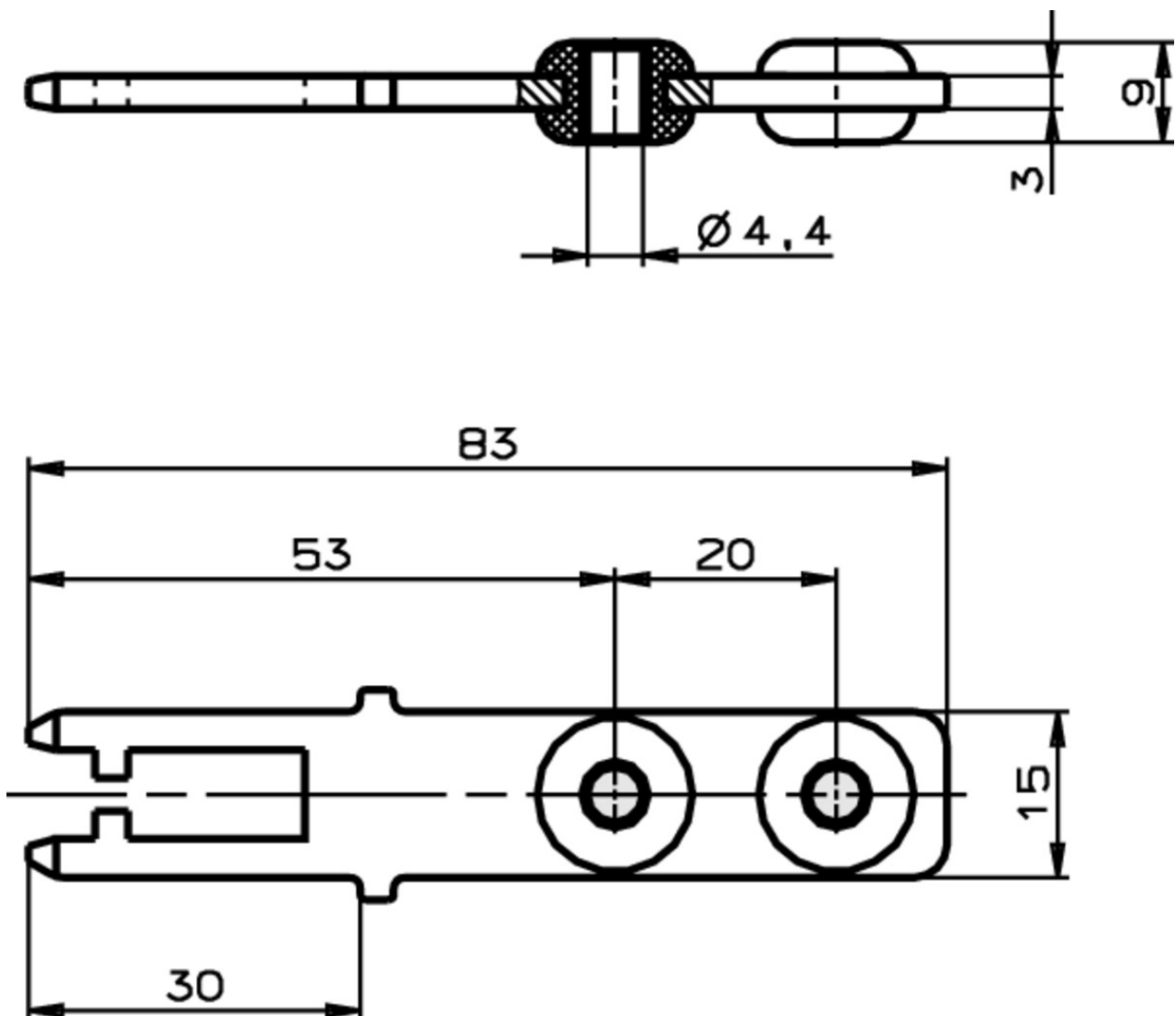
### Mechanical values and environment

Material	Actuator	Stainless steel
	screw	Stainless steel
	rubber bush	NBR
Door radius		min.1000 mm
Overtravel		max.2 mm

### Miscellaneous

Usability of insertion funnel	No
-------------------------------	----

### Dimension drawing



## Catalogs

### ▼ Safety Switches with Plastic Housing

	Doc. no.	Version	Language	Download
Sicherheitsschalter mit Kunststoffgehäuse	096955	10-10/12		 18.8 MB
Safety Switches with Plastic Housing	096956	10-10/12		 18.7 MB
Interrupteurs de sécurité avec boîtier plastique	100677	10-10/12		 19.2 MB
Interruptores de seguridad con carcasa plástica	104855	10-10/12		 18.7 MB
Bezpečnostní spínače s plastovým pouzdem	121649	10-10/12		 6.8 MB

## CAD data

CAD data for this item on TraceParts