

BD2-400-BB FIXING BRACKET

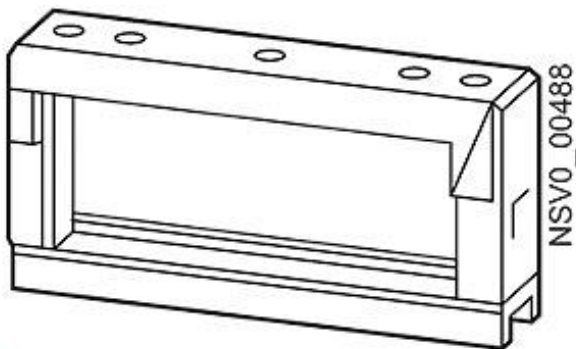


Figure similar

Model

Product designation	fixing bracket (accessories) for BD2 busbar trunking system
---------------------	---

Mechanical Design

Height	68 mm
Width	199 mm
Length	34 mm
Mounting type	wall / ceiling / suspension

Certificates

Declaration of Conformity



EG-Konf.

Further information

Information- and Downloadcenter (Catalogs, Brochures,...)

<http://www.siemens.com/lowvoltage/catalogs>

Industry Mall (Online ordering system)

<https://mall.industry.siemens.com/mall/en/en/Catalog/product?mlfb=BVP:045154>

Service&Support (Manuals, Certificates, Characteristics, FAQs,...)

<https://support.industry.siemens.com/cs/ww/en/ps/BVP:045154>

Image database (product images, 2D dimension drawings, 3D models, device circuit diagrams, ...)

http://www.automation.siemens.com/bilddb/cax_en.aspx?mlfb=BVP:045154

CAX-Online-Generator

<http://www.siemens.com/cax>

Tender specifications

<http://www.siemens.com/specifications>