

## Datasheet - SHGV/ESS21S2/xxx/103

Key transfer system / SHGV/ESS21 - Key selector switch



(Minor differences between the printed image and the original product may exist!)

### Ordering details

|                          |   |
|--------------------------|---|
| Product type description | SHGV/ESS21S2/xxx/103  |
| Article number           | SHGV/ESS21S2/xxx/103  |
| EAN Code                 |   |
| notice                   | In the order/inquiry the requested lock number "xxx" must be specified (e.g. SHGV/ESS21S2/125/103)!<br>If no lock number is indicated in the order/inquiry, we will supply a lock number at our discretion.<br>The user must ensure that lock numbers are not assigned twice in a single plant (factory site)!<br>The user must ensure that no double key bit numbers are allocated on one site (company site)! |
| eCl@ss                   | 27-27-26-03   |

### Approval

Approval



### Classification

|                                   |                    |
|-----------------------------------|--------------------|
| B10d Normally-closed contact (NC) | 100.000 operations |
| Mission time                      | 20 Years           |
| Standards                         | EN ISO 13849-1     |

### Global Properties

|                                      |   |
|--------------------------------------|---|
| Permanent light                      | Schlüssel-Wahlschalter  |
| Standards                            | IEC/EN 60947-1, IEC 60947-5-1, EN 1088                            |
| Compliance with the Directives (Y/N) | Yes   |
| Suitable for safety functions (Y/N)  | Yes   |
| Mounting                             | mounting flange   |
| Mounting position                    | arbitrarily   |
| Materials                            |   |
| - Material of the housings           | Plastic, glass-fibre reinforced thermoplastic, self-extinguishing |
| - Material of the contacts           | Silver  |
| - Material of the front ring         | Aluminium   |
| - Material of the cylinder lock      | Steel   |
| Design                               | Key - Selector switch - Front plate mounting                      |
| Color                                |   |
| - Colour of the front ring           | ■ Silver  |
| - Colour of the cylinder lock        | ■ Silver  |
| - Colour of the key grip             | ■ Silver  |
| - Contact element colour             | ■ Black   |
| Weight                               | 110   |
| Can be illuminated (Y/N)             | No  |
| Key number                           | xxx   |
| Closure                              | variable  |

## Mechanical data

|                                     |   |
|-------------------------------------|---|
| Connection type                     | Screw connection  |
| Cable section                       |   |
| - Min. Cable section                | 0,5, rigid<br>0,5, flexible   |
| - Max. Cable section                | 2.5, rigid<br>2.5, flexible   |
| Tightening torque for the terminals | 1   |
| Mechanical life                     | 300.000 operations  |
| Mechanical life contact element     | 1.000.000 operations  |
| Switching frequency                 | 5   |
| notice                              | All indications about the cable section are including the conductor ferrules. |
| restistance to shock                | 110 / 4   |
| resistant to vibration              | > 20 / 10...200   |
| Bounce duration                     | < 5   |
| Latching (Y/N)                      | Yes   |
| Unlocking type                      | Rotating unlatcher  |
| Probing possible (Y/N)              | No  |
| Latching position                   | right   |
| Front plate thickness               |   |
| - min. front plate thickness        | 1   |
| - max. front plate thickness        | 6   |
| Tightening torque for fixing screws | 0,6   |
| Number of switch positions          | 2   |
| Number of plunger                   | 1   |
| Key withdrawal position             | 90  |
| Key withdrawal position             | Position I  |

## Ambient conditions

Ambient temperature

|  |                                |
|--|--------------------------------|
| - Min. environmental temperature         | -25                            |
| - Max. environmental temperature         | +75                            |
| Storage and transport temperature        |                                |
| - Min. Storage and transport temperature | -                              |
| - Max. Storage and transport temperature | -                              |
| Fully insulated (Y/N)                    | Yes                            |
| Sealing type                             | membrane, lip seal, Form seals |
| Protection type IP                       | IP65                           |
| Protection class-Terminals               | IP20                           |
| Protection class switching compartments  | IP40                           |

## Electrical data

|                              |   |
|------------------------------|---|
| Design of control element    | Opener (NC), Normally open contact (NO) |
| Switching principle          | Creep circuit element                   |
| Number of auxiliary contacts | 1                                       |
| Number of safety contacts    | 1                                       |
| Rated insulation voltage     | 400                                     |
| Thermal test current         | 10 A                                    |
| Utilisation category         | AC-15: 230 V / 8 A<br>DC-13: 24 V / 5 A |
| Max. fuse rating             | 10 A gG D-fuse                          |
| Suitable for low-voltages    | ≥ 5 , 3.2                               |
| Test voltage (enclosed)      | 2500                                    |

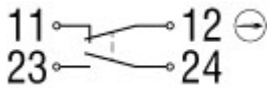
## LED switching conditions display

|                           |    |
|---------------------------|----|
| With integrated LED (Y/N) | No |
|---------------------------|----|


## Dimensions


|   |            |
|---|------------|
| Dimensions                              |            |
| - Height with key (and contact element) | 60 (119)   |
| - Diameter of the front ring            | 29.5       |
| - diameters for the cylinder lock       | 22         |
| - Hole, diameter                        | 22.3 + 0,4 |
| Spacing                                 | 40 x 50    |


## Diagram

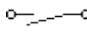


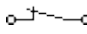
Note Diagram

 positive break NC contact

 active


 no active

 Normally-open contact

 Normally-closed contact

## Ordering code

SHGV(1)(2)/ESS21S2/(3)(4)/(5)

|                              |   |
|------------------------------|---|
| <b>notice</b>                | <b>Not all variations can be supplied.<br/>The available order code used to convert the product part name.</b>  |
| <b>(1)</b><br>without<br>-Z/ | Included in standard version Locking system<br>Central locking system-Locking system  |
| <b>(2)</b><br>without<br>/SR | Included in standard version Silver   |
| <b>(3)</b><br>xxx            | Key number (n) 100 ... 999  |
| <b>(4)</b><br>oo/oo          | Colour of the key grip<br><br>and all combinations resulting thereof |
| <b>(5)</b><br>103            | 1 Opener (NC) / 1 Normally open contact (NO)  |

## Documents

---

### Operating instructions and Declaration of conformity (es) 2 MB, 22.08.2016

Code: mrl\_shgv-sve-svm\_es

### Operating instructions and Declaration of conformity (jp) 2 MB, 23.03.2017

Code: mrl\_shgv-sve-svm\_jp

### Operating instructions and Declaration of conformity (de) 2 MB, 25.07.2016

Code: mrl\_shgv-sve-svm\_de

### Operating instructions and Declaration of conformity (fr) 2 MB, 16.09.2016

Code: mrl\_shgv-sve-svm\_fr

### Operating instructions and Declaration of conformity (nl) 2 MB, 08.08.2018

Code: mrl\_shgv-sve-svm\_nl

### Operating instructions and Declaration of conformity (en) 2 MB, 25.07.2016

Code: mrl\_shgv-sve-svm\_en

### Operating instructions and Declaration of conformity (cn) 2 MB, 27.07.2017

Code: mrl\_shgv-sve-svm\_cn

### Operating instructions and Declaration of conformity (pl) 2 MB, 22.11.2016

Code: mrl\_shgv-sve-svm\_pl

### Operating instructions and Declaration of conformity (it) 2 MB, 02.09.2016

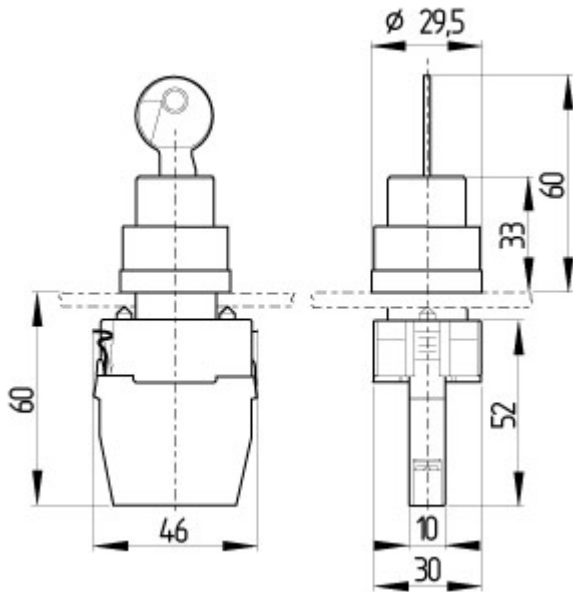
Code: mrl\_shgv-sve-svm\_it

### CCC certification (en) 2 MB, 29.10.2018

Code: q\_shgvp02

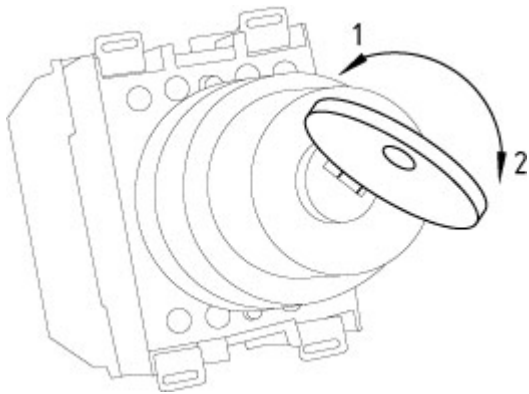
## Images

---



Dimensional drawing (basic component)

---



Application

---