



The Future of Safety is Here



# Iso-lok

**SAFETY LOCKOUT EQUIPMENT FOR PERSONNEL PROTECTION**



## Help is at hand

If you need more information about Castell products, or if you need to discuss a particular application or procedure implementation, we are here to help.

We will be happy to visit your works. Our area engineers hold the NEBOSH\* General Certificate and can provide advice on how to meet the basic requirements of health and safety legislation and best practice.

The service is free and you are under no obligation.

\*The National Examination Board of Occupational Safety & Health.

Castell Safety International Ltd is a member of the British Safety Council.



## About Castell

Castell was founded in 1922 by James Harry Castell who invented the trapped key interlock. Castell products are recognised around the world for providing machine safety.

Castell is a wholly owned subsidiary of Halma plc.

Castell are manufacturers of the following products:

**Castell**  
Trapped Key Interlocks

**Salvo**  
Loading Bay Safety

**Mistura**  
Trapped Key Interlocks

**QuadCam**  
3D Machine Safety

## Buy Online

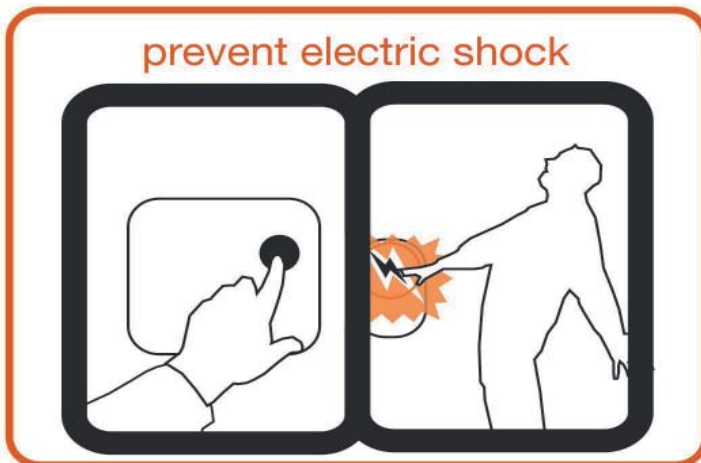
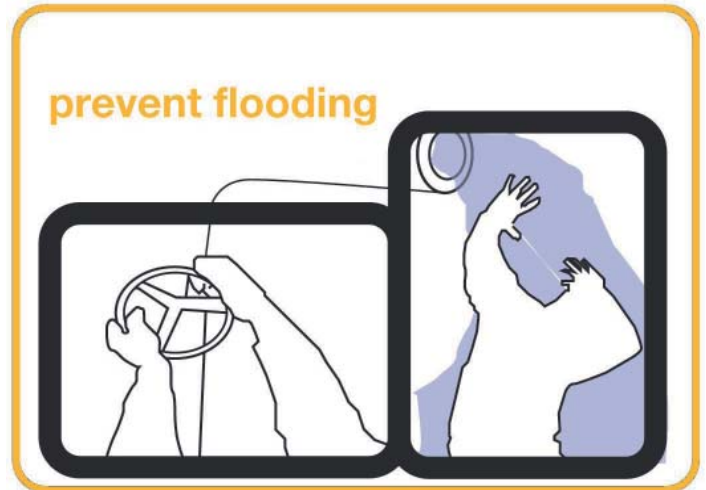
The entire range of Castell Lockout Tagout products is now available online. Check before placing your order for special offers.



These illustrations show two separate accidents that could have been prevented using Lockout tagout equipment.

In the first incident, a maintenance worker has failed to lock-off the supply valve to the tank that he is cleaning.

Now the tank has flooded with water and he has drowned.



In the second incident, the worker has been electrocuted because he has failed to lock-off the power switch to the circuit he is working on.

Health and Safety legislation places a duty on all workers to check that the equipment they are working on is correctly isolated.

## Don't forget the 5 basic steps of Risk Assessment

### Step 1

Identify the hazards.

### Step 2

Identify who might be harmed and how.

### Step 3

Evaluate the risks and decide on precautions.

### Step 4

Record your findings and implement them.

### Step 5

Review your assessment and update if necessary.

**Section 1 - Padlocks**

**Section 2 - Multi-Clasps**

**Section 3 - Valve Lockouts**

**Section 4 - Connection Lockouts**

**Section 5 - Key & Document Storage**

**Section 6 - Lockout Stations**

**Section 7 - Signs, Labels & Tags**

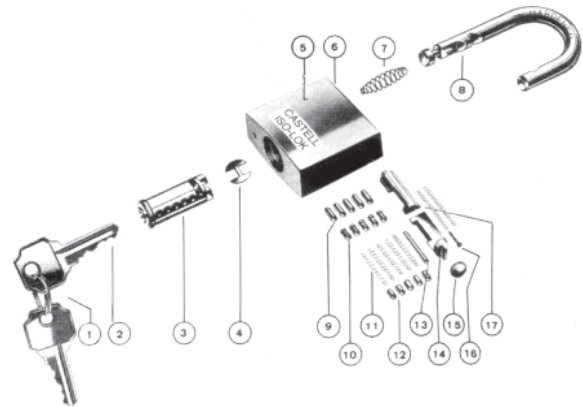
**Section 8 - Special Items**

**Section 9 - Brady Products**

# Padlock Specification

## Numbering to 'Differ'

When required, Iso-Lok guarantee that individual padlocks 'differ'. Using a simple system of numbering padlock body and keys and recording these numbers against each customer record we can avoid using the same numbers on subsequent orders. If, for security reasons you don't wish the locking mechanism number to appear we can still apply the same system for you.



Using the same procedure and in addition to supplying padlocks to 'differ' we supply:

- Padlocks all 'keyed alike' (to pass).
- Master keyed (mastered and differed).
- Padlocks with chain attached.
- Padlocks engraved.
- Padlocks colour coded.

1	Key Ring	7	Shackle Spring	13	Plug Retainer
2	Key	8	Shackle	14	Bolts
3	Plug	9	Pins	15	Bolt Hole Plug
4	Brass Protection Plate	10	Mushroom Tumblers	16	Guide for bolt springs
5	Shackle Retainer	11	Tumbler Springs	17	Bolt Springs
6	Case	12	Pin Hole Plugs		

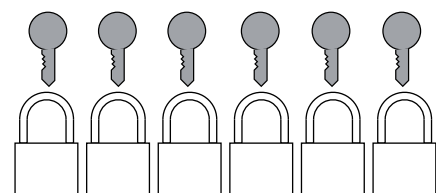
This registration of numbers enables us to quickly identify locking mechanisms previously supplied if duplications are required at a later date.

Iso-Lok Keying Options:

Iso-Lok offers three basic keying options. Use the following guide to select the key system which best suits your Permit to Work requirements.

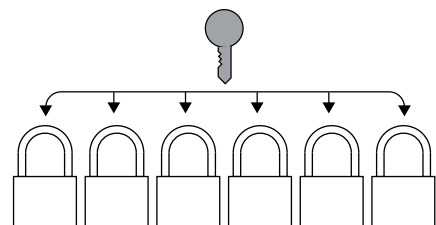
**Padlocks to DIFFER.**

Each padlock has a unique locking mechanism and its own key. One person cannot open another persons padlock. 50,000 DIFFERS available.



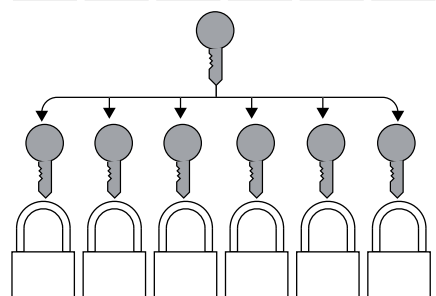
**Padlocks KEYED ALIKE.**

Each padlock is supplied with the same locking mechanism. One key will open any lock in the set.



**Padlocks MASTER & DIFFER.**

Each padlock has a unique locking mechanism and its own key. The additional master key will override any padlock in the set. 100 Suites of 1000 locks are available.

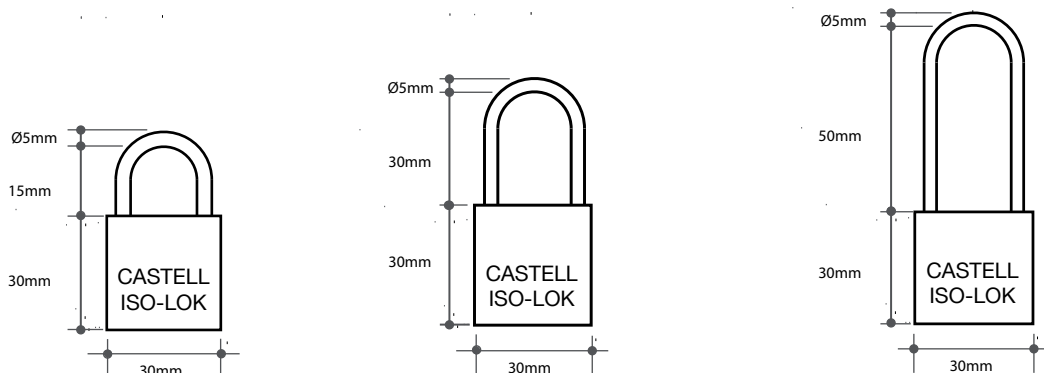


All Castell padlocks are supplied with 2 keys as standard. Additional keys available.

## 30mm Brass Bodied Padlocks

Body Size (mm)	Shackle Material	Shackle Height (mm)	Key System	Part No.
30	Brass	15	Differ	B3B-15KD
30	Brass	15	Alike	B3B-15KA
30	Brass	15	Master Differ	B3B-15MD
30	Steel	15	Differ	B3S-15KD
30	Steel	15	Alike	B3S-15KA
30	Steel	15	Master Differ	B3S-15MD
30	Brass	30	Differ	B3B-30KD
30	Brass	30	Alike	B3B-30KA
30	Brass	30	Master Differ	B3B-30MD
30	Steel	30	Differ	B3S-30KD
30	Steel	30	Alike	B3S-30KA
30	Steel	30	Master Differ	B3S-30MD
30	Brass	50	Differ	B3B-50KD
30	Brass	50	Alike	B3B-50KA
30	Brass	50	Master Differ	B3B-50MD
30	Steel	50	Differ	B3S-50KD
30	Steel	50	Alike	B3S-50KA
30	Steel	50	Master Differ	B3S-50MD

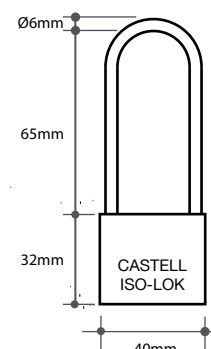
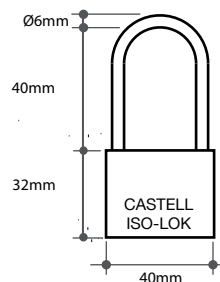
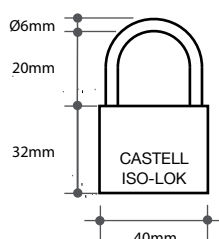
Part No.	Description
A010013	Spare Padlock Key
A010014	Master Key



## 40mm Brass Bodied Padlocks

Body Size (mm)	Shackle Material	Shackle Height (mm)	Key System	Part No.
40	Brass	20	Differ	B4B-20KD
40	Brass	20	Alike	B4B-20KA
40	Brass	20	Master Differ	B4B-20MD
40	Steel	20	Differ	B4S-20KD
40	Steel	20	Alike	B4S-20KA
40	Steel	20	Master Differ	B4S-20MD
40	Brass	40	Differ	B4B-40KD
40	Brass	40	Alike	B4B-40KA
40	Brass	40	Master Differ	B4B-40MD
40	Steel	40	Differ	B4S-40KD
40	Steel	40	Alike	B4S-40KA
40	Steel	40	Master Differ	B4S-40MD
40	Brass	65	Differ	B4B-65KD
40	Brass	65	Alike	B4B-65KA
40	Brass	65	Master Differ	B4B-65MD
40	Steel	65	Differ	B4S-65KD
40	Steel	65	Alike	B4S-65KA
40	Steel	65	Master Differ	B4S-65MD

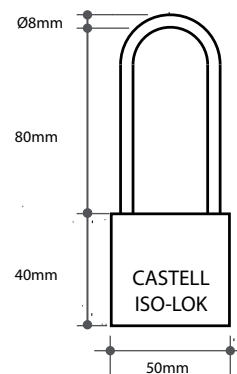
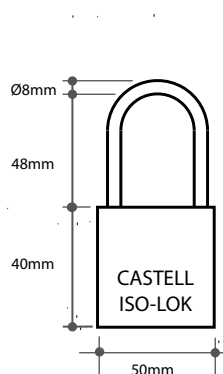
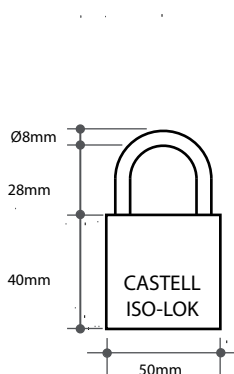
Part No.	Description
A010013	Spare Padlock Key
A010014	Master Key



## 50mm Brass Bodied Padlocks

Body Size (mm)	Shackle Material	Shackle Height (mm)	Key System	Part No.
50	Brass	28	Differ	B5B-28KD
50	Brass	28	Alike	B5B-28KA
50	Brass	28	Master Differ	B5B-28MD
50	Steel	28	Differ	B5S-28KD
50	Steel	28	Alike	B5S-28KA
50	Steel	28	Master Differ	B5S-28MD
50	Brass	48	Differ	B5B-48KD
50	Brass	48	Alike	B5B-48KA
50	Brass	48	Master Differ	B5B-48MD
50	Steel	48	Differ	B5S-48KD
50	Steel	48	Alike	B5S-48KA
50	Steel	48	Master Differ	B5S-48MD
50	Brass	80	Differ	B5B-80KD
50	Brass	80	Alike	B5B-80KA
50	Brass	80	Master Differ	B5B-80MD
50	Steel	80	Differ	B5S-80KD
50	Steel	80	Alike	B5S-80KA
50	Steel	80	Master Differ	B5S-80MD

Part No.	Description
A010013	Spare Padlock Key
A010014	Master Key





## Speciality Padlocks

### 30mm Stainless Steel Padlocks

#### 100% Stainless Steel Padlocks

The worlds' first 100% Stainless Steel Padlock. Ideal for use where there is a high possibility of corrosion or high levels of hygiene, e.g. marine, chemical, pharmaceutical works and food processing environments.

Body Size (mm)	Material	Shackle Height	Key System	Part No.
30	100% Stainless	20mm	Differ	S3S-20KD
30	100% Stainless	50mm	Differ	S3S-50KD



### Corrosion Resistant Padlocks

#### Corrosion Resistant Padlocks

In hostile working environments where corrosive precipitation or splashback can occur, additional material resistance is required. The nickel plated brass padlocks provide far improved longevity. Available in 30, 40 or 50mm bodies with a variety of shackle heights. Key number records are not maintained for this product range.



Body Size (mm)	Material	Shackle Height (mm)	Key System	Part No.
30	Nickel Plated Brass	15	Differ	N3S-15KD
40	Nickel Plated Brass	20	Differ	N4S-20KD
50	Nickel Plated Brass	28	Differ	N5S-28KD
30	Nickel Plated Brass	30	Differ	N3S-30KD
40	Nickel Plated Brass	40	Differ	N4S-40KD
50	Nickel Plated Brass	48	Differ	N5S-48KD

## Padlocks with chains

Any Castell padlock can be supplied with **stainless steel** chain attached. Check the table below to see length options.

Part No.	Description	Material
SS3	3" Chain	Stainless Steel
SS6	6" Chain	Stainless Steel
SS9	9" Chain	Stainless Steel
SS12	12" Chain	Stainless Steel
SS24	24" Chain	Stainless Steel
SS36	36" Chain	Stainless Steel
S000754	Open End Link	Stainless Steel



## Padlock Engraving

Castell provides an engraving service for all its products including padlocks, multi-clasps and danger boards. Simply use the table below to estimate the cost of adding letters and numbers to your products.

Part No.	No. of Characters
ENG1	1 Character
ENG2	2 - 5 Characters
ENG3	6 - 10 Characters
ENG4	11 - 15 Characters
ENG5	16+ Characters
P00010	Padlock Painting



Use a Danger Board to visually reinforce your safety message. Supplied displaying a standard warning, Danger Boards have space for additional information, such as Name, Department, and Clock Number. Additional marking, priced on request.

'Mug-Shot' Danger Boards are also available, providing a visual image of the person who is carrying out the isolation work.

Part No.	Description
700001	Danger Board 6" x 3" (150mm x 76mm)
700003	Danger Board c/w 3" Stainless Steel Chain
700004	Danger Board - Photo Board



## Padlock Colour Coding

A variety of colours are available for colour coding the body of the padlock, or infilling the engraved text.



## Locking Off Systems

### Multi-Clasps

Locking-off systems make an important contribution to the health and safety of workers in accordance with the Health and Safety at Work Act 1974, in addition the Electricity at Work Regulation 1989. They prevent the inadvertent use of dangerous plant and equipment.

#### Uses:

To prevent access to electrical installations or valves while power is switched off. They can also be used in the 'Locked Set' position.

#### Mechanism:

The Multi-Clasp is attached to the relevant anchor point so that each operative can insert his own personalised padlock which is then locked. To restore access to the prime mover, all padlocks must be removed.



### Chain Clasps

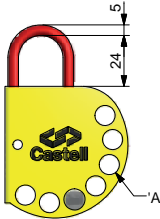
To prevent the operation of valves, they can lock the valve in the OPEN, CLOSED or any midpoint position.

#### Mechanism:

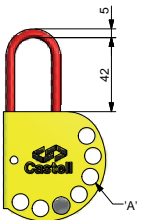
The Valve-Lok chain is threaded through the handwheel and around an anchor point. Once secured in place each operator can insert his own personalised padlock which is then locked. To resume operation, all padlocks must be removed.



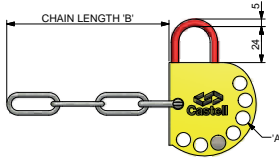
## Standard Multi-Clasps (24mm Shackle)

Image	Part No.	Description	Surface Finish	'A' (mm)
	216200	Standard Multi-Clasp	PPC*	Ø6.7
	236200	Standard Multi-Clasp	PPC*	Ø9.5
				Ø9.5

## Standard Multi-Clasps (42mm Shackle)

Image	Part No.	Description	Surface Finish	'A' (mm)
	216300	Standard Multi-Clasp	PPC*	Ø6.7
	236300	Standard Multi-Clasp	PPC*	Ø9.5
				Ø9.5

## Chain Clasps - 24mm Shackle

Image	Part No.	Description	Surface Finish	'A' (mm)	Chain Length 'B'
	216210	Chain Multi-Clasp	PPC*	Ø6.7	3"
	216220	Chain Multi-Clasp	PPC*	Ø6.7	12"
	216230	Chain Multi-Clasp	PPC*	Ø6.7	24"
	216240	Chain Multi-Clasp	PPC*	Ø6.7	36"
	216250	Chain Multi-Clasp	PPC*	Ø6.7	48"
	216260	Chain Multi-Clasp	PPC*	Ø6.7	72"
	236210	Chain Multi-Clasp	PPC*	Ø9.5	3"
	236220	Chain Multi-Clasp	PPC*	Ø9.5	12"
	236230	Chain Multi-Clasp	PPC*	Ø9.5	24"
	236240	Chain Multi-Clasp	PPC*	Ø9.5	36"
	236250	Chain Multi-Clasp	PPC*	Ø9.5	48"
	236260	Chain Multi-Clasp	PPC*	Ø9.5	72"

\*Polyester Powder Coated

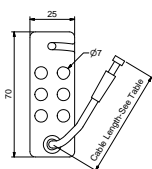
## Multi-Clasps

### Chain Clasps (42mm Shackle)

Image	Part No.	Description	Surface Finish	Padlock Hole Size 'A' (mm)	Chain Length
	216310	Chain Multi-Clasp	PPC*	Ø6.7	3"
	216320	Chain Multi-Clasp	PPC*	Ø6.7	12"
	216330	Chain Multi-Clasp	PPC*	Ø6.7	24"
	216340	Chain Multi-Clasp	PPC*	Ø6.7	36"
	216350	Chain Multi-Clasp	PPC*	Ø6.7	48"
	216360	Chain Multi-Clasp	PPC*	Ø6.7	72"
	236310	Chain Multi-Clasp	PPC*	Ø9.5	3"
	236320	Chain Multi-Clasp	PPC*	Ø9.5	12"
	236330	Chain Multi-Clasp	PPC*	Ø9.5	24"
	236340	Chain Multi-Clasp	PPC*	Ø9.5	36"
	236350	Chain Multi-Clasp	PPC*	Ø9.5	48"
	236360	Chain Multi-Clasp	PPC*	Ø9.5	72"

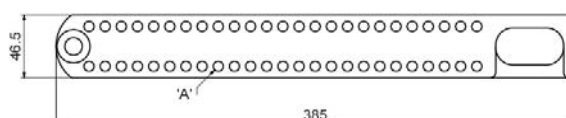
\*Polyester Powder Coated

### Cable Scissor Clasp

Image	Part No.	Description	Surface Finish	Padlock Hole Size 'A' (mm)	Cable Length
	221220	Cable Scissor Clasp	Nickel Plated	Ø7	12"
	221230	Cable Scissor Clasp	Nickel Plated	Ø7	24"

### Mega-Clasp

Part No.	Description	Surface Finish	Padlock Hole Size 'A' (mm)
251003	MEGA Scissor Clasp 50 padlock holes	Polyester Powder Coated	Ø7.5



## Iso-Valve® Valve Lockouts

To lock your wheel operated valves in the OPEN and CLOSED positions. Castell introduce Iso-Valve®. A new design of valve handwheel lockout.

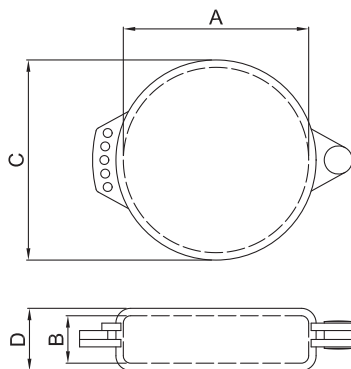
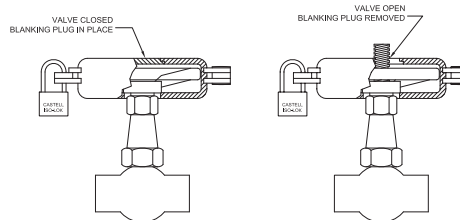
Iso-Valve® is suitable for all valve handwheel diameters from 25mm (1") to 350mm (14"). The two halves of the lockout hinge open on one side to all easy fitting over the wheel of the valves. When fitted, the valve handwheel is completely encapsulated within the lockout.

Additional features:

- Improved design hinge which is resistant to tampering.
- Additional padlock holes.
- Removable valve stem plug. No cutting is required to accommodate the valve stem in the OPEN position.
- Dielectric Properties (non-conducting).
- Resistant to Solvents.
- Non Cracking.
- Suitable for use with Iso-lok padlocks and multi-clasps.



Colours available



Inside Dia. A	Inside Depth B	Outside Dia. C	Outside Depth D
70mm	32mm	76mm	38mm
130mm	34mm	140mm	44mm
170mm	41mm	177mm	50mm
257mm	50mm	267mm	63mm
355mm	63mm	368mm	74mm

### Wheel Operated Valve Lockouts

Size	Colour	Part No.	Colour	Part No.	Colour	Part No.	Colour	Part No.
25mm - 65mm	Blue	311100	Green	311200	Red	311300	Yellow	311400
65mm - 125mm	Blue	312100	Green	312200	Red	312300	Yellow	312400
125mm - 160mm	Blue	313100	Green	313200	Red	313300	Yellow	313400
160mm - 250mm	Blue	314100	Green	314200	Red	314300	Yellow	314400
250mm - 325mm	Blue	315100	Green	315200	Red	315300	Yellow	315400

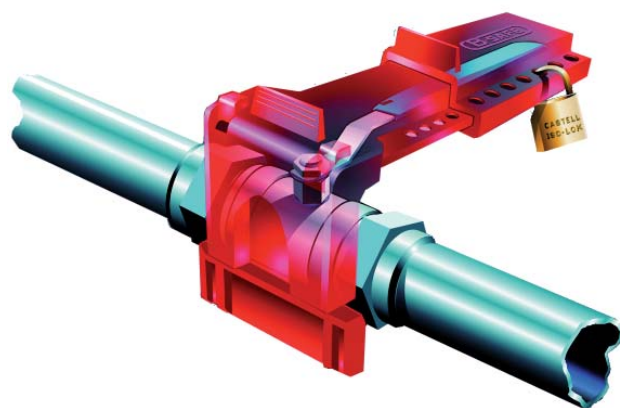
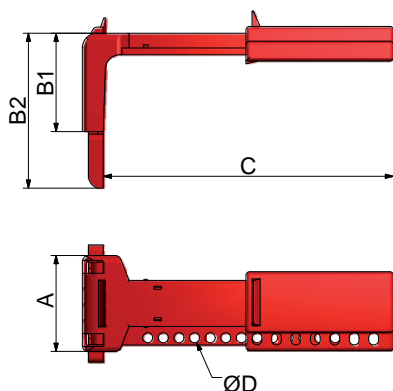
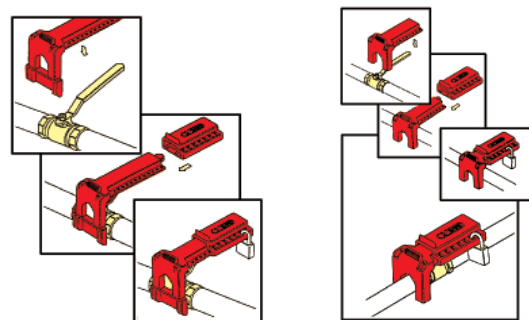


# Valve Lockouts

## Ball Valve Lockout

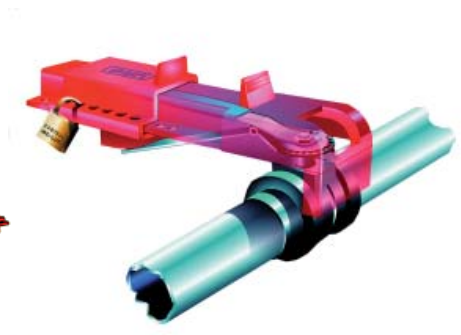
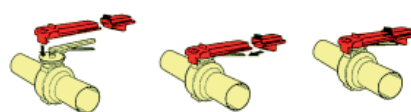
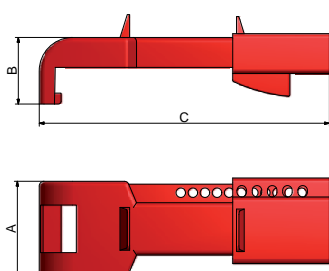
This valve lockout can lock the valve in the OPEN and CLOSED positions.

- Made from strong polypro plastic.
- Fully dielectric (non conducting).
- Highly resistant to solvent and other chemical products.
- Resistant to cracking and abrasion.
- Resistant to extreme temperature range. (Minimum -50°F to +360°F)



Part No.	Size/Type	Width A	Height B1	Height B2	Length C	Padlock Hole D
BS01	Ball Valves from 3/8" - 1" Dia.	80mm	82mm	125mm	135 - 190mm	8mm
BS02	Ball Valves from 1" - 2"	80mm	82mm	125mm	190 - 250mm	8mm
BS03	Ball Valves from 2" - 8" (lock closed only)	100mm	180mm	N/A	280mm	8mm

## Butterfly Valve Lockout



Part No.	Size/Type	Width A	Height B1	Height B2	Length C	Padlock Hole D
BS04	Butterfly Valve	102mm	70mm	N/A	305mm	9.8mm

## Circuit Breaker Lockouts

### Miniature Circuit Breaker Lockout

- A safe and effective method for locking out low voltage circuit breakers.
- Four different versions, will fit most types of European Circuit Breakers. No tools are required to install.
- Available for single and multi-pole breakers.
- Recommended to lock with Castell safety isolation padlock.
- The lockouts can take padlocks with a shackle diameter up to 7mm.
- Strong glass-filled nylon construction.

Part No.	Description
090844	POS (Pin Out Standard)
090847	PIS (Pin In Standard)
090850	POW (Pin Out Wide)
090853	TBLO (Tie Bar Lockout)



European circuit breakers by brand name.

Manufacturer	Pole	Model No.	Type	Manufacturer	Pole	Model No.	Type
ABB	1	S222	POS	Legrand	4	01980	TBLO
ABB	1	F347	POS	Legrand	2	04302	PIS
ABB	1	S251, S261, S263	POS	Legrand	3	06469	PIS
ABB	1	S272, S253	POS	Legrand	1	01908	POS
ABB	3	S253	POS	MCG	1	SP	POW
AEG	2	E82S	PIS	MCG	2	DP	POW
Allen Bradley	1,2,3	1492-CB1,2,3	POS	MCG	3	TP	POW
Buschmat	1	S46	POS	Merlin Gerin	3	C80A	TBLO/POW
Clipsal	1	4CB116	POS	Merlin Gerin	2	B100A	TBLO/POW
Clipsal	3	4CB320	POS	Merlin Gerin	1	C60N	POS
E-T-A	1	911225	PIS	Merlin Gerin	1	C32N	POS
E-T-A	2	911220G	POS	Merlin Gerin	2	C60N	POS
FAZ	4	C16	POS	Merlin Gerin	4	C60N	POS
FAZ	1	C16	POS	Merlin Gerin	3	C32N	POS
GE Vynickier	3	Series E	PIS	Merlin Gerin	3	C45AD	POS
GE Vynickier	3	Series G	PIS	Proteus	1	C16	POS
GE Vynickier	4	Series E	PIS	Proteus	1	C6	POS
GE Vynickier	1	Series G	PIS	Proteus	3	C6	POS
GE Vynickier 16A	2	Series E	PIS	Siemens 17U	2	5SQ12	TBLO
GE Vynickier C16, 16A	1	Series E	PIS	Siemens 17U	3	5SQ13	TBLO
Hager	3	453717	POS	Siemens 17U	4	5SQ16	TBLO
Hager	2	MW216A	POS	Siemens 17U	1	5SQ11	POW
Hager	4	MW620A	POS	Siemens B32	1	5SX21	POW
Kapp	1	LS68	PIS	Siemens C10	1	5SX1	POW
Legrand	2	01935	TBLO	Siemens C32	2	5SX1-2	TBLO
Legrand	3	01980	TBLO	Siemens C70	3	5X13	TBLO
				Siemens L20A	3	5SN2-2	TBLO
				Sursum	3	EA53	PIS
				Wylex	2	WRS40/2	POS



# Connection Lockouts

## Break-Away Seal

### Cable Break-Away Seal

Used for 'sealing' operating devices in an unusable condition. Suitable for switches, valves, access doors, control panels plus many other applications.

The cable is sealed in place by turning the shear screw until it breaks. Remove simply by cutting the cable.

Aluminium body with 18cm long galvanised steel cable, 1.0mm, 1.5mm or 2.5mm diameter.

Part No.	Description
423000	Mini Break-away seal, Ø1.0mm x 18cm Cable
421000	Mini Break-away seal, Ø1.5mm x 18cm Cable
422000	Mini Break-away seal, Ø2.5mm x 18cm Cable



## Safety Lockout Bag

### Safety Lockout Bag

This product can be used for locking off electrical plugs or overhead crane pendants. The bag completely encloses the plug or pendant to prevent accidental re-connection of power or operation of overhead crane. The bag can be secured in place using a padlock.

Part No.	Description
441000	Safety Lockout Bag (M) (25cm x 48cm)
442000	Safety Lockout Bag (L) (25cm x 61cm)
443000	Safety Lockout Bag (XL) (91cm x 41cm)

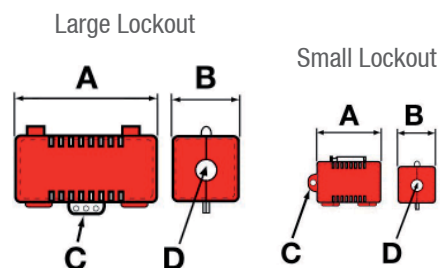


## Plug Lockout

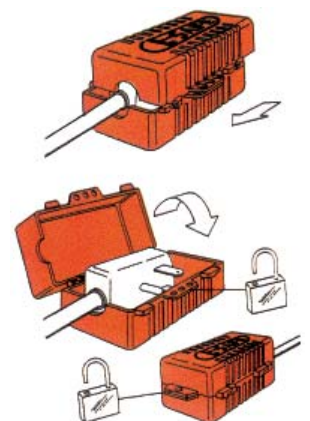
### Plug Lockout

The plug lockout encloses most electrical plugs, and prevents accidental re-connection.

- Strong and hardwearing.
- Fully dielectric (non-conducting).
- Resistant to extremes of temperature -50°F - +300°F



Part No.	Description	Inside Length A	Inside Width B	Padlock Hole C	Cable Hole D
LP110	Small Plug Lockout	82mm	44mm	7mm	12mm
LP550	Large Plug Lockout	170mm	76mm	9mm	25mm



## Key Cabinets

### Portable Key Cabinets

Portable Key Cabinets are round cornered with carrying handle and are ideal for mobile safety patrols or temporary worksites.

Part No.	Max. No. Keys	Height (cm)	Width (cm)	Depth (cm)
510020	20	25.5	19.0	7.0
510030	30	30.5	23.0	7.0
510035	35	30.5	23.0	7.0
510063	63	30.5	23.0	11.0



### Euro Security Cabinets

Portable Key Cabinets are round cornered with carrying handle and are ideal for mobile safety patrols or temporary worksites.

Part No.	Max. No. Keys	Height (cm)	Width (cm)	Depth (cm)
520020*	20	25.5	19.0	7.0
520048*	48	35.5	30.0	8.0
520100*	100	55.0	36.0	8.0
500001	Standard 5-Pin Cylinder			
P00003	Extra Key			



\* Cylinder not included.

### Emergency Key Box

Steel construction with a break-out glass front. Emergency key boxes are designed to hold a restricted-use key near a locked door for emergency use only. A number of options are available including a cylinder lock and hammer and chain.

Part No.	Description	Height (cm)	Width (cm)	Depth (cm)
500002	EKB c/w Cylinder Lock	15.0	12.0	3.1
500003	EKB c/w Hammer & Chain	15.4	13.4	3.1
500004	Individually numbered seal (x10)			



Part No.	Optional Extras
500005	Extra cabinet keys (excluding high security)
500006	250 Sign Out Tabs
500007	500 Sign Out Tabs
500008	1000 Sign Out Tabs
500009	Cabinets with 2 cam locks
500010	Hasp & Staple



Sign Out Tabs



Tags & Numbers

All cabinets are grey colour finish and are supplied complete with key tags, adjustable bars, numbered strip and two keys.

## Storage Solutions

### Key Cabinets

#### Wall Mounted Key Cabinets

Wall mounted key cabinets offer flexible and secure storage facility. Comprising a steel cabinet with adjustable hook bars, number strips and card index.

Part No.	Max. No. Keys	Height (cm)	Width (cm)	Depth (cm)
540020	20	25.5	19.0	7.0
540030	30	30.5	23.0	7.0
540035	35	30.5	23.0	7.0
540048	48	35.5	30.0	8.0
540064	64	45.0	30.0	8.0
540100	100	55.0	38.0	8.0
540150	150	55.0	38.0	14.0
540200	200	55.0	38.0	14.0
540250	250	55.0	38.0	20.5
540300	300	55.0	38.0	20.5
540400	400	55.0	73.0	14.0
540500	500	55.0	73.0	20.5
540600	600	55.0	73.0	20.5



#### Padlock Security Cabinets

For the storage of padlocks and keys. Larger capacity cabinets have hinged, fold out internal panels to allow easy viewing of entire contents.

Part No.	Max. No. Keys	Height (cm)	Width (cm)	Depth (cm)
550024	24	35.5	27.5	12.0
550050	50	55.5	38.0	14.0
550100	100	55.0	73.0	14.0



#### Deep Security Cabinets

Similar to padlock security cabinets, but with extra depth to allow storage of bunches of keys or awkwardly shaped keys.

Part No.	Max. No. Keys	Height (cm)	Width (cm)	Depth (cm)
560035	35	30.5	23.0	11.0
560048	48	35.5	57.5	12.5
560100	100	55.0	38.0	14.0
560150	150	55.0	38.0	20.5
560200	200	55.0	73.0	14.0



## Key Cabinets

### Clear Fronted Key Cabinets

A clear viewing panel allows confirmation at a glance which keys have been issued, even when the cabinet door is locked shut.

Part No.	Max. No. Keys	Height (cm)	Width (cm)	Depth (cm)
570024	24	35.5	27.5	8.0
570032	32	45.0	30.0	8.0
570050	50	55.0	38.0	8.0



### Doc Combo

Doc Combo combines the features of a Lockable Document Holder and a Safety Lockout Station. The design enables all aspects of a Safety Isolation to be controlled for the duration of the work, including Permit to Work document, padlocks, clasps and keys.

Up to 5 Permit to Work documents can be safely retained in the clear perspex cover sleeve.

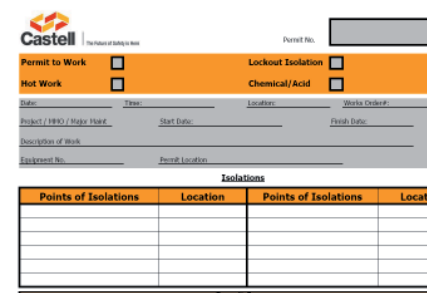
Once slid into place the sleeve can be securely retained by up to seven (7) padlocks.

When the cover sleeve is removed, there is space to hang up to 15 Isolation Padlocks or Multi-Clasps.

Each Doc Combo is supplied with a 'Permit to Work' duplicate pad, with 10, four part permit documents.



Part No.	Description	No. Hooks	Height (cm)	Width (cm)	Depth (cm)
590003	Doc Combo	15	43	23	10
A010015	Additional Permit pads				
A010016	Doc Combo spare hooks (Pack 15)				



**Castell** | The Standard of Safety  
 Permit No.

Permit to Work  Lockout Isolation   
 Hot Work  Chemical/Acid

Date: \_\_\_\_\_ Time: \_\_\_\_\_ Location: \_\_\_\_\_ Works Order: \_\_\_\_\_  
 Project / HMO / Major Work: \_\_\_\_\_ Start Date: \_\_\_\_\_ Finish Date: \_\_\_\_\_  
 Description of Work: \_\_\_\_\_  
 Equipment No. \_\_\_\_\_ Permit Location: \_\_\_\_\_

Points of Isolations	Location	Points of Isolations	Locat

Permit Issue



## Storage Solutions

### Key Cabinets

#### Lockout Boxes

Lockout boxes form part of a safe system of work. They are used to store isolation lock keys, fuses etc that have been used to form an isolation. The key safe locking system operates as follows:

The control key can be withdrawn in the locked and/or unlocked position. Secondary lock keys can only be removed in the locked position. Lock mechanisms are independent of each other. The key safe is secure until all keys are returned and in the unlocked position.

Control locks and keys are keyed alike within a key control area. Secondary locks and keys differ within a key control area.



Key safes are of single or multiple units, which can be close mounted together. The door is fitted with clear perspex, 3mm thick, which enables permit entry by breaking. All safes have one control lock and either four or seven secondary locks. All locks are identified on the door of the safe, together with the safe number. All keys are provided with a brass tag engraved with the safe number and secondary lock identification.

Part No.	Number of Secondary Locks	Width (cm)	Height (cm)	Depth (cm)
581000	4	15	20	10.5
582000	7	15	23	10.5
583000	4	30	30	10.5
584000	7	30	30	10.5
585000	4	30	30	10.5

#### Group Lock Box

The group lock box is ideal for use in lock off situations where multiple employees and energy sources are involved. All keys can be stored in the lock box, before and during the isolation. The group lock box is then locked by the supervisor using a single padlock. Once the job is complete, work can be checked by the supervisor before releasing and re-issuing the keys enabling re-start.



Part No.	Description	Width (cm)	Height (cm)	Depth (cm)
PGLB1	Group Lock Box	25.5	10.5	15.5

## Lock Off Stations

Convenient and high visibility Lock Off Stations make your padlocks, tags, multi-clasps and lock out devices easy to find and use. These lock off stations incorporate hooks for padlocks and multi-clasps. Available with or without contents.

Part No.	Contents	Quantity
PLSE103	Station only	1
PLSE103C	B3B15KD Padlocks	2
	B3B50KD Padlocks	2
	WT35A Do Not Operate Tags	3
Station Price with contents		



Part No.	Contents	Quantity
PLSE104	Station only	1
PLSE104C	B3B15KD Padlocks	4
	216200 Multi-Clasp	1
	WT35A Do Not Operate Tags	3
Station Price with contents		



Part No.	Contents	Quantity
PLSE105	Station only	1
PLSE105C	B3B15KD Padlocks	10
	216200 Multi-Clasp	1
	WT35A Do Not Operate Tags	3
	WT39A Danger Tags	3
Station Price with contents		



Part No.	Contents	Quantity
PLSE106	Station only	1
PLSE106C	B3B15KD Padlocks	20
	216200 Multi-Clasp	1
	216300 Multi-Clasp	1
	WT35A Do Not Operate Tags	6
	WT39A Danger Tags	6
	Station Price with contents	



## Storage Solutions

### Lock Off Centres

Part No.	Contents	Quantity
PLSE101	Centre only	1
PLSE101C	311300 Iso-Valve ®	2
	312300 Iso-Valve ®	1
	313300 Iso-Valve ®	1
	BS01 Ball Valve Lockout	1
	LP550 Plug Lockout	1
	WT35A Do Not Operate Tags	3
	WT39A Danger Tags	6
	216200 Multi-Clasps	6
	B3B30KD Padlocks	12
	Station Price with contents	



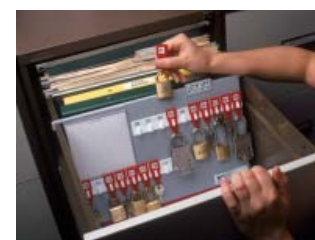
Part No.	Contents	Qty	Contents	Qty	
PLSE102	Centre only			1	
PLSE102C	311300 Iso-Valve ®	2	WT39A Danger Tags	3	
	312300 Iso-Valve ®	1	216200 Multi-Clasps	6	
	313300 Iso-Valve ®	1	216300 Multi-Clasps	6	
	314300 Iso-Valve ®	1	B3B15KD Padlocks	6	
	BS01 Ball Valve Lockout	1	B3B30KD Padlocks	6	
	BS02 Ball Valve Lockout	1	B3B50KD Padlocks	6	
	LP550 Plug Lockout	1	441000 Lock Out Bag	1	
	WT35A Do Not Operate Tags	6	PPTWS10 PVC Sleeves Pk	1	
	Station Price with contents				



**Wall Mounted Lock Off Centre** comes complete with 10 double hooks mounted on a tough powder coated steel back plate with write on/wipe off label facility. Package includes 20 red hangers plus a set of adhesive numbers.

**Drawer Mounted Lock Off Centre** is designed to fit most suspension filing cabinets or drawers. Manufactured from a durable metal backboard with handle grip for easy access and removal. The system comes complete with 20 red hangers, numbering labels and a numbered index card for easy reference.

Part No.	Description
630000	Wall Mounted Lock Off Centre
640000	Drawer Mounted Lock Off Centre



## Safety Labels

Safety signs are now an important tool to help protect staff and prevent accidents. The Health & Safety (Safety Signs and Signals) Regulations 1996 emphasise the importance of safety signs in the work place. This EU directive was designed to standardise safety signs, so that they are easily understood by anyone from within the member states of Europe. There are four main types of sign: Mandatory, Prohibition, hazard warning and safe condition. Castell will help you select the correct standard sign in the following pages, as well as provide details on custom signs that are available, details below.



Example: Mandatory



Example: Prohibition



Example: 'Safe Condition'



Example: Hazard Warning

Locking off safety labels are available in self-adhesive vinyl (S/A). Ideal for placing next to isolators or on machines to highlight your locking off procedures. All safety labels comply with the Electricity at Work Regulations 1989 and relevant UK & EC Regulations.



55x75 MK4E-S



55x75 MK3E-S



55x75 MK7ES



55x75 PK6E-S



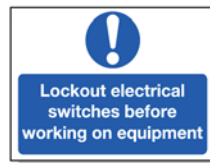
55x75 MK11ES



55x75 MK8ES



55x75 MK9ES



55x75 MK6ES



55x75 MK10ES



55x75 WK7E-S

Part No.	Size (mm)	Description
Refer to illustration above	55 x 75	Safety Labels, Self Adhesive (Pack of 10)
Refer to illustration on following pages	450 x 600	Safety Signs, Self Adhesive (individual)
Refer to illustration on following pages	450 x 600	Safety Signs, Rigid PVC (individual)
Refer to illustration following pages	110 x 50	Safety Tags (Pack of 10 c/w wire ties)
Refer to illustration following pages	200 x 100	Safety Tags (individual c/w wire tie)
WT35A	140 x 80	Do Not Operate Tag (Pack of 10)
WT39A	140 x 80	Danger Tag (Pack of 10)
740002	N/A	Non-Permanent Marker
740001	N/A	Permanent Marker



# Signs, Tags & Labels

## Safety Signs

Locking off safety signs are available in either self-adhesive vinyl (S/A) or a semi-rigid plastic (PVC). Designed specifically to highlight your locking off procedures and to remind staff of their safety responsibilities when carrying out maintenance work.



## Safety Tags

Locking off safety tags are manufactured from high impact styrene. They come complete with wire ties for instant application. Use water based non-permanent marker to add details on a temporary basis, or an oil based pen to add permanent details. All tags comply with the Electricity at Work Regulations 1989 and relevant UK & EC regulations.



Safety Tags 110mm x 50mm manufactured from high-impact styrene are ideal for use with Castell lock off stations and centres.



Marker pens are available in either water based non-permanent or oil based permanent markers.

## Miscellaneous Labelling

### Danger Boards

Use a Danger Board to visually reinforce your safety message. Supplied displaying a standard warning, Danger Boards have space for additional information, such as Name, Department, and Clock Number. Additional marking, priced on request.

'Mug-Shot' Danger Boards are also available, providing a visual image of the person who is carrying out the isolation work.



Part No.	Description
700001	Danger Board 6" x 3" (150mm x 76mm)
700003	Danger Board c/w 3" Stainless Steel Chain
700004	Danger Board - Photo Board
S000754	Open End Link - Stainless Steel

### Custom Sign Making

Castell can manufacture bespoke signs, labels and tags to your individual requirements. Engraved, laminated traffelite, stainless or brass dog tags, screen printed PVC or vinyl self adhesive. Whatever is your particular requirement, Castell can help.



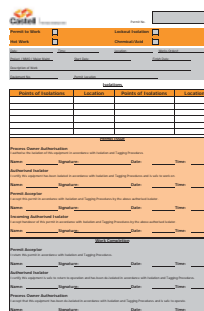
## Accessories

### Special Items

#### Permit to Work

Protect your Permit to Work documents during an isolation with this clear PVC document pocket. Measuring 32cm x 26cm and complete with a press stud fastener for quick access and release.

Now available, this Castell Permit to Work pad is suitable for the recording and management of isolation procedures and activities. The pad is a four part duplicate, with each part carrying the same unique permit number. Space is provided for description of the isolation and signatures of all those working on the isolation.



Each pad has 25, four part sets.

Part No.	Description
A010006	PVC Clear Sleeve, Pack of 10
A010015	Permit to Work Pad
A010017	Spare Perspex Document Holder

#### Carabiner Torch

This handy torch can light up small spaces. If you are working on a safety isolation lockout, and light is poor, this will help you out. Clip to your belt hook or tool bag.



Part No.	Description
900019	Carabiner Torch

#### Sparky Safe®

Lockout Kits, and Sparky-Safe® are a handy way of keeping all the essential lockout devices close at hand, in a convenient belt-pouch. Each kit comprises the same pouch and key chord, plus the contents listed below.

Part No.	Description	Contents
900013	General Lockout Kit	B3B-15KD Padlock 216300 Multi-Clasp
900020	Sparky-Safe® Workman	B3B-15KD Padlock 216300 Multi-Clasp 090844 POS MCB Lockout WT35A 'DO NOT OPERATE' Tag
900011	Sparky-Safe® Professional	B3B-15KD Padlock 216300 Multi-Clasp POS, PIS, POW & TBLO MCB Lockout WT35A 'DO NOT OPERATE' Tag 740002 Water Based Pen 421000 Ø1.5mm Cable Break-away Seal 422000 Ø 2.5mm Cable Break-away Seal



## Brady

### Universal Valve Lockout

The Universal Valve Lockout device is a modular system which enables you to lock out valves of different types and sizes. No other device offers such flexibility and security. There are two sizes available: large and small.

- Modular system makes your investment economical and flexible.
- Can be used to lock out large levers, T-handles and other hard-to-secure mechanical devices.
- New open-ended clamp fits over closed rings, wide handles.
- Locks valves in **open and closed positions**.
- Made from industrial-grade steel and nylon for rugged durability, chemical and corrosion resistance.
- Max. shackle diameter: 9 mm
- Min. shackle clearance: 20 mm

The universal lockout is a modular construction where the user can add various accessories to make the device suitable for a range of valve types.

Cable attachment can be added to make the device suitable for locking off gate valves.

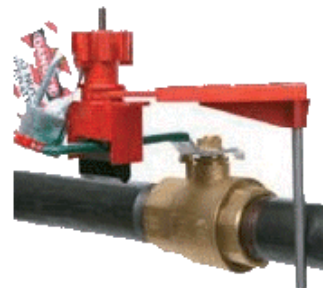
Simply disassemble the device as shown and slot in the relevant accessory.



Part No.	Description	Max. Valve Handle Width	Max. Valve Handle Thickness
050924	Small UVL Base Clamp	25mm	19.00mm
050899	Large UVL Base Clamp	41mm	31.75mm
065402	Small Blocking Arm		
065403	Large Blocking Arm		
051395	Cable attachment, 2.44m length, 3.25mm Dia.		



Clamp attaches to butterfly valve lever, preventing trigger handle from being squeezed. Valve cannot be operated.



Use blocking arm to lock out quarter turn ball valves.



Use cable attachment to lock out gate valves.

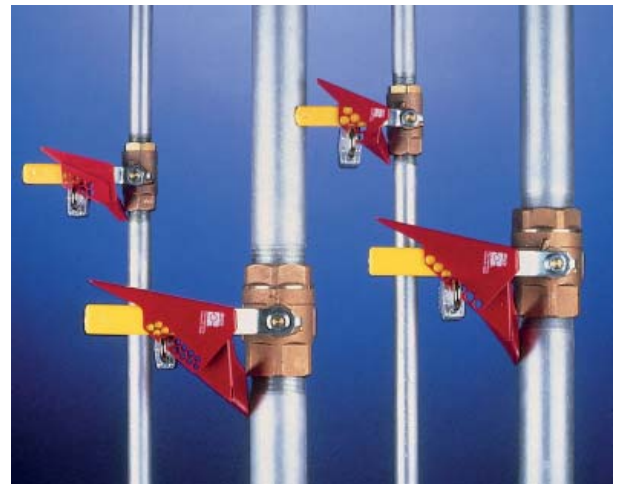
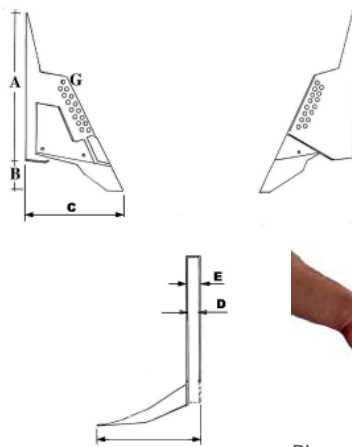


Use two blocking arms to lock out 3 way, 4 way or 5 way valves, or to lock valves in the mid (throttled) position for operational control.

## Valve Lockouts

### Brady Ball Valve Lockout

- Suitable for locking 1/4 turn valves in the OFF position.
- Fits virtually any valve lever up to 76mm.
- Very compact and lightweight solution.
- Available in 2 sizes.
- Packaging: 1 Piece



Part No.	Valve Lever Size	Min. Shackle Clearance	A	B	C	D	E	F	G (Qty)	G (Dia)
065666	6-25mm	25mm	80	30	60	8	12	71	8	7.5
065692	6-25mm	25mm	87	30	50	8	11	63	6	10
065669	32-76mm	19mm	150	30	110	10	15	110	15	7.5
065693	32-76mm	19mm	150	30	110	10	15	110	7	10

## Valve Lockouts



- Small valve lockout suitable for 12.5mm 31mm O/D pipework.
- Large valve lockout suitable for 50mm to 200mm O/D pipework.
- The two halves of the lockout enclose the valve lever.
- Maximum padlock shackle dia. 6.5mm.
- Minimum shackle clearance 38mm.
- Packaging: 1 piece.

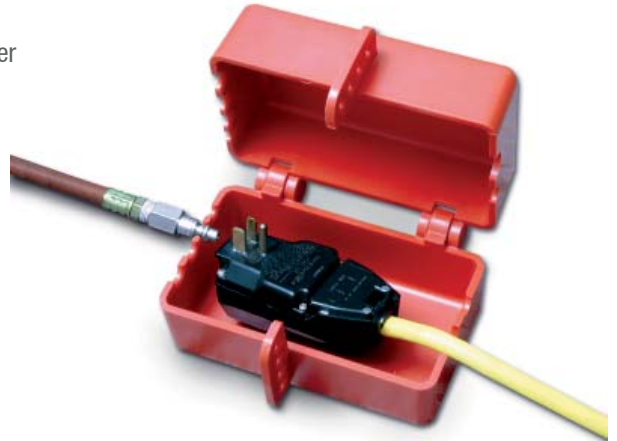


Description	Part No.	Part No.	Part No.	Part No.
Small Valve Lockout	800110 Red	805847 Blue	805848 Green	805849 Yellow
Large Valve Lockout	800111 Red	805850 Blue	805851 Green	805852 Yellow



## Electrical/Pneumatic Lockout

- Accommodates a large variety of electrical plugs up to 89mm diameter and 127mm in length as well as male air hose connectors.
- Works on 110V, 220V and 550v plugs.
- Space for up to four padlocks.
- Maximum shackle diameter: 7mm
- Minimum shackle clearance: 20mm
- Packaging: 1 piece



Part No.	Description
800126	Large Electrical/Pneumatic Lockout

## Plug Lockout

- Especially developed to secure all types of plugs.
- Highly effective against unauthorised or inadvertant use of electrical equipment.
- Simple to use.
- Maximum shackle diameter: 7mm
- Minimum shackle clearance: 20mm
- Packaging: 1 piece.



Part No.	Description	Dimensions (mm)	Padlock Holes (Qty)
065674	Small Plug Lockout (110V)	50 x 50 x 90	2
065675	Large Plug Lockout (220V)	80 x 80 x 180	4

## Hubbell Plug Lockout

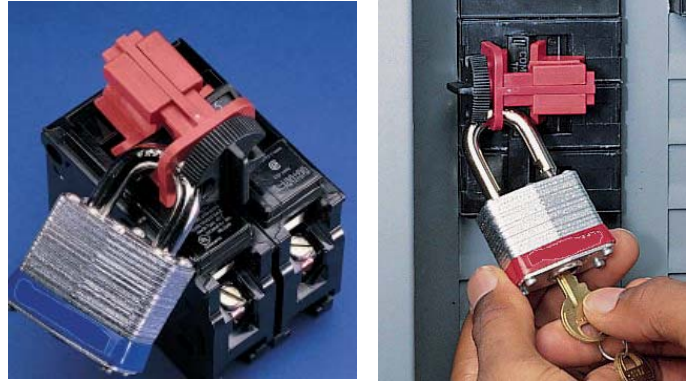
- Effectively secures all industrial plug connections.
- Available in two sizes
- Small: Connections with max. dia. 7cm / length 12cm / max cable dia. 25mm
- Large: Connections with max. dia. 11.5cm / length 25cm / max cable dia. 35mm
- Maximum shackle diameter: 7mm
- Minimum shackle clearance: 20mm
- Packaging: 1 piece.



Part No.	Description	Plug Dia. (cm)	Plug Length (cm)
065695	Small Hubbell	7	12
065968	Large Hubbell	11	25

## Universal Multi-Pole Breaker Lockout

- Made of durable impact-modified nylon.
- Compatible with GE, ITE, Sylvania, Challenger, Bryan, Westinghouse, General Switch Company.
- Use thumbscrews to clamp lockout securely over the tie-bar, then insert Castell padlock to prevent clamp from being loosened.
- Maximum shackle dia: 7mm
- Minimum shackle clearance: 20mm



Part No.	Description
066321	Universal Multi-Pole Breaker Lockout

## Economy Multi-Pole Breaker Lockout

- Economical Solution.
- Designed to fit multi-pole breakers.
- Quick and easy to apply.
- Maximum shackle dia: 7mm
- Minimum shackle clearance: 20mm



Part No.	Description
805814	Economy Multi-Pole Breaker Lockout

## Single Pole Circuit Breaker Lockout

- Designed for breakers that have holes in the switch tongue.
- Quick and easy - just snap in place and apply Castell padlock.
- Dual cavities accommodate different size switch tongues.
- Maximum shackle dia: 7mm
- Minimum shackle clearance: 20mm



Part No.	Description
065387	Single-Pole Circuit Breaker Lockout

## “No Hole” Circuit Breaker Lockout

- Extremely versatile - works on a wide range of single-pole and internal trip multi-pole breakers.
- 2 Sizes: one for 120-277V breakers and one for 480-600V breakers.
- Use thumb-screws to clamp lockout securely on to switch tongue, then pull cover over thumbscrew and lock in place to prevent clamp from being loosened.
- Maximum shackle dia: 7mm
- Minimum shackle clearance: 20mm



ParAXt No.	Description	Max. Switch Width
065396	277 Volt Lockout	38mm
065397	480-600 Volt Lockout	16mm

## Cylinder Tank Lockout

- Used to lockout cylinder tanks, including propane on forklift trucks.
- Valve stem hole is 31.5mm diamter.
- Apply with ease to prevent access to the valve handle.
- Designed to fit in tight spaces.
- 2 Castell padlocks can be applied.
- Maximum shackle dia: 6mm
- Minimum shackle clearance: 20mm
- Packaging: 1 piece.



Part No.	Description
046139	Cylinder Tank Lockout



## Gas Cylinder Lockout

- Prevents access to the main cylinder valve.
- No need to match your lockout device to varying diameters of cylinder caps.
- Accommodates neck rings up to 88mm diameter.
- Installs in seconds.
- 1 Castell padlocks can be applied.
- Maximum shackle dia: 7mm
- Minimum shackle clearance: 20mm
- Packaging: 1 piece.



Part No.	Description
045629	Gas Cylinder Lockout

## Pneumatic Quick-Disconnect Lockout

- Isolates pneumatic energy without the expense and inconvenience of installing in-line lockout valves.
- Device is applied to the male fitting, isolating equipment from all compressed air sources.
- Accommodates the majority of 6mm, 9mm and 12mm male fittings.
- A hole in the centre of device allows for permanent storage on air hoses and a loop on the side can be used to hang the hose and lockout device.
- Maximum shackle dia: 6.5mm
- Minimum shackle clearance: 20mm
- Packaging: 1 piece.



Part No.	Description
064221	Pneumatic Lockout

## Oversized Breaker Lockout

- Oversized 480-600 Volt frame lockout, fits breakers up to 63.5mm wide by 22.2 mm thick.
- Maximum shackle dia: 7mm
- Minimum shackle clearance: 20mm



Part No.	Description
065329	Universal Multi-Pole Breaker Lockout

## 480-600V Breaker Lockout

- Perfect for locking out oversized and irregularly shaped switches.
- Self adhesive backed rails are permanently installed onto an electrical panel - simply clean panel surface and adhere - no drilling required.
- Blocking bars (red & green) are 190mm long.
- Red bar = locked OFF.
- Green bar = locked ON.
- Maximum shackle dia: 6.5mm
- Minimum shackle clearance: 20mm



Part No.	Description
090891	Blocker Kit includes: 2 yellow mounting rails 1 red blocking bar 1 green locking bar 3 alcohol wipes
090892	190mm Red blocking bar
090893	190mm Green blocking bar
051264	101mm Yellow mounting rails
051265	Blocking bar holder



## Rules & Regulations

Each year Health & Safety authorities publish statistics on the number of injuries and fatal accidents caused whilst working on machinery and other energy sources. The unexpected release of energy, or machine start-up can cause these accidents, but is completely avoidable if a few basic steps are taken to prevent this occurrence.

Despite the existence of regulations, requiring that all energy sources are isolated and locked off, accidents still occur. A lack of training, or simply workers taking short cuts is often the cause.

Lockout Tagout, or 'locking off' is a safety procedure, often supported by written 'permit to work' documents which sets about isolating all energy sources and other hazardous situations, for the duration of any maintenance work. For example:



Clearing a blockage on a conveyor. This might only take a few seconds, but if the conveyor is not switched off first, it will resume working once the blockage is clear. This hazard alone is known to kill.

Changing a gasket on a pump. This task might take several hours. But the same rules apply. If the pump re-starts whilst an engineer is working, serious injury or death could occur.

### Examples of energy sources.

- Rotating motion
- Linear motion
- Electricity
- Gas, e.g. steam
- Liquids under pressure

### Accident Statistics:\*

241 Workers killed at work!  
141,350 Other injuries to employees reported under RIDDOR  
274,000 Reportable injuries occurred  
36 Million days lost overall

\*Source: [hse.gov.uk](http://hse.gov.uk), 2006/07

### Legal Requirements

UK health and safety regulations make reference to the practice of isolation, including:



Regulation No. 19 of the Provision & Use of Work Equipment Regulations 1998 (PUWER) refers to the Isolation of Energy Sources.

(1) "Every employer shall ensure, there where appropriate, work equipment is provided with suitable means to isolate it from all sources of energy". (3) "Every employer shall take appropriate measures to ensure that reconnection of any energy source to work equipment does not expose any person using the equipment to any risk to his health or safety".



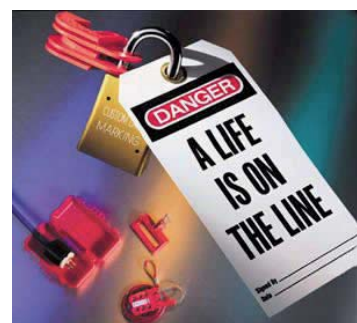
The EU Guidelines 89/655 specify the minimum requirements concerning safety and health while using equipment. Paragraph 2.14 states "All work equipment must be fitted with clearly identifiable means to isolate it from all its energy sources".



In the USA, OSHA (Occupational Safety & Health Authority) regulation 1910.147(a) (3)(i), The Control of Hazardous Energy (Lockout/Tagout) states that it "requires employers to establish a program and utilize procedures for affixing appropriate lockout devices or tagout devices to energy isolating devices and to otherwise disable machines or equipment to prevent unexpected energisation, start-up or release of stored energy in order to prevent injury to employees".

Remember also "No person shall intentionally or recklessly interfere with or misuse anything provided in the interests of health, safety or welfare in pursuance of any of the relevant statutory provisions".

**Health & Safety at Work Act etc. 1974.**



Lockout Tagout will not control behaviour, but it can prevent accidents. If an individual is determined to take short-cuts, you must address this issue separately.



The Future of Safety is Here

[www.castell.com](http://www.castell.com)

A HALMA COMPANY

Distributed by:

Castell Safety International Ltd  
The Castell Building  
217 Kingsbury Road  
London, England NW9 9PQ

t: +44 (0)20 8200 1200  
f: +44 (0)20 8905 9378

Castell Safety International Ltd  
Oskar-Jäger-Straße 137  
50826 Köln  
Germany

t: +49 (0) 221.1694794  
f: +49 (0) 221.1694795

Castell Interlocks Inc.  
21, Kenton Lands Road  
Erlanger, KY 41018  
United States of America

t: +1.859.341.3075  
f: +1.859.957.1577

Castell Safety China  
Room 1801  
Shenggao International Building  
137 Xianxia Road  
Shanghai PRC 200051

t: +86 21 5206 8686  
f: +86 21 5206 8191