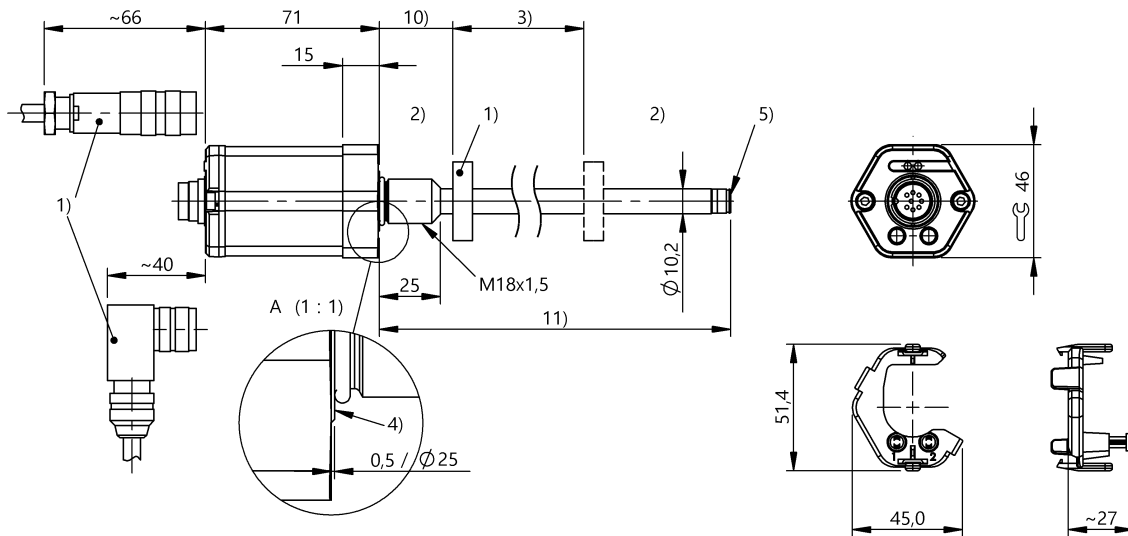


Magnetostrictive Sensors
BTL7-E100-M0400-B-S32
 Order Code: BTL06YZ

BALLUFF



1) not included in scope of delivery, 2) Non-usable area, 3) Nominal length = Measuring length, 4) Mounting surface, 5) Internal threads M4x4/6 deep, 10) Null point, 11) Installation length



Basic features

Approval/Conformity	CE cULus GL EAC WEEE
Magnets, number (factory setting)	1
Magnets, number max.	1

Electrical connection

Connection	Connector, M16x0.75, 8-pin
Connection version	axial
Polarity reversal protected	Ub up to 36 V
Short-circuit protection	to GND and to 36 V DC

Electrical data

Current consumption max. at 24 V DC	150 mA
Error signal Ia rising	3.6 mA
Galvanic isolation	no
Inrush current	≤ 500 mA/10 ms
Operating voltage Ub	20...28 VDC
Output signal adjustable	with calibration aid using programming inputs
Overvoltage protection	Ub up to 36 V
Switch-on delay max.	600 ms
Voltage-proof up to (GND to housing)	500 V AC

Environmental conditions

Ambient temperature	-40...85 °C
EN 55016-2-3, Radiation	For industrial and residential use
EN 60068-2-27, Continuous shock	150 g, 2 ms
EN 60068-2-27, Shock	150 g, 6 ms
EN 60068-2-6, Vibration	20 g, 10...2000 Hz
EN 61000-4-2, ESD	Severity Level 3
EN 61000-4-3, RFI	Severity Level 3
EN 61000-4-4, Burst	Severity Level 3
EN 61000-4-5, Surge	Severity Level 2
EN 61000-4-6, High-frequency fields	Severity Level 3
EN 61000-4-8 Magnetic fields	Severity Level 4
IP rating	IP67, with connector
Relative humidity	≤ 90 %, non-condensing
Storage temperature	-40...100 °C
Temperature coefficient typ.	≤ 30 ppm/K at 50% of nominal stroke 500mm

Functional safety

MTTF (40 °C)	58 a
---------------------	------

Interface

Analog output	Analog, current 4...20 mA
----------------------	---------------------------

Magnetostrictive Sensors
BTL7-E100-M0400-B-S32
Order Code: BTL06YZ

BALLUFF

Material

Cover material	Aluminum, Die-cast, nickel plated
Housing material	Aluminum, Anodized
Housing material, surface protection	Anodized
Material flange	Stainless steel (1.3960)
O-ring material	FKM
Plug material	Stainless steel (1.4571)
Protection tube material	Stainless steel (1.4571)

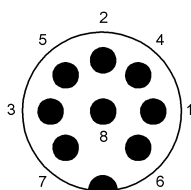
Mechanical data

Installation length from contact surface	490 mm
Mounting part	Threaded flange M18x1.5
Null point	30.0 mm
Pressure rating max.	600 bar
Protection tube diameter	10.2 mm
Tightening torque max.	100 Nm

Range/Distance

Measuring length	400 mm
Non-linearity max.	±50 µm
Repeat accuracy	± 5 µm
Sampling frequency max.	2000 Hz

Connector Drawings



Wiring Diagrams

Pin	
1	4...20 mA
2	0V
3	NC
4	La
5	NC
6	GND
7	+24 V DC
8	Lb