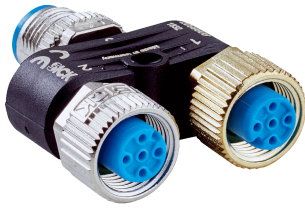


YM2A15-000S01FY2A5

SICK
Sensor Intelligence.



Ordering information

Type	Part no.
YM2A15-00S01FY2A5	2099606

Other models and accessories → www.sick.com/

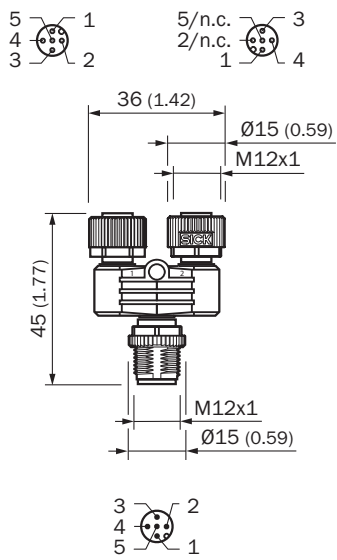


Detailed technical data

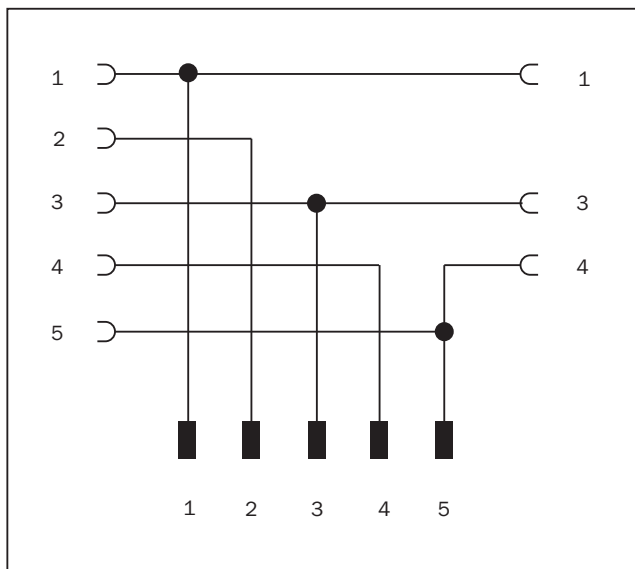
Technical specifications

Accessory group	Distributors
Accessory family	Y-junctions
Connection type head A	Male connector, M12, 5-pin, A-coded
Connection type head B	Female connector, M12, 5-pin, A-coded
Locking plug connector	Screw connection
Tightening torque	0.6 Nm
Width across flats	13
Reference voltage	≤ 60 V DC
Rated impulse voltage	1.5 kV
Current loading	4 A
Signal type	Sensor/actuator cable
Application	Zones with oils and lubricants
Authorizations	CE UL
UL File No.	E335179
Enclosure rating	IP65 / IP66K / IP67
Ambient operating temperature	Head -25 °C ... +85 °C
Contamination rating	3
Insulation resistance	100 MΩ
Overvoltage category	III
Specific insulation resistance	30 mΩ

Dimensional drawing (Dimensions in mm (inch))



Anschlussschema



SICK AT A GLANCE

SICK is one of the leading manufacturers of intelligent sensors and sensor solutions for industrial applications. A unique range of products and services creates the perfect basis for controlling processes securely and efficiently, protecting individuals from accidents and preventing damage to the environment.

We have extensive experience in a wide range of industries and understand their processes and requirements. With intelligent sensors, we can deliver exactly what our customers need. In application centers in Europe, Asia and North America, system solutions are tested and optimized in accordance with customer specifications. All this makes us a reliable supplier and development partner.

Comprehensive services complete our offering: SICK LifeTime Services provide support throughout the machine life cycle and ensure safety and productivity.

For us, that is “Sensor Intelligence.”

WORLDWIDE PRESENCE:

Contacts and other locations –www.sick.com