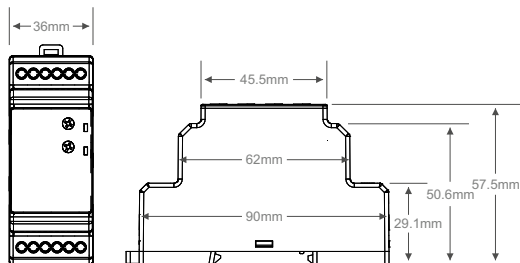


type	order no
RI-TAA0010	600 150
RI-TAA0040	600 152
RI-TAA0020L	600 154



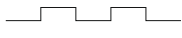
technical specifications

Supply voltage (U_N)	RI-TAA0010 : 85 .. 265V AC/DC RI-TAA0040 : 10 .. 36V DC RI-TAA0020L : 9 .. 30V DC
Power consumption	< 1.5 W < 4 VA
Response time	< 350 ms
Measurement error	< %0.2 (full scale, 25°C)
Temperature coefficient	< 150 ppm/°C
Surge withstand	100A (1s)
Continuous overload current	10A
Input signal range (configurable)	0 .. 1 A AC 0 .. 2 A AC 0 .. 3 A AC 0 .. 4 A AC 0 .. 5 A AC
Input signal frequency	40 .. 70 Hz
Analog output signal (configurable)	0 .. 20 mA 4 .. 20 mA ± 20 mA 20 .. 0 mA 20 .. 4 mA 0 .. 5 V 0 .. 10 V ± 5 V ± 10 V 10 .. 0 V
RI-TAA0010, RI-TAA0040	
Analog output signal (RI-TAA0020L)	4 .. 20 mA
Maximum analog output current	24mA
Maximum analog output voltage	12V
Load	$\leq 600\Omega$ (current output) $\geq 10k\Omega$ (voltage output)
Operating temperature	-20°C .. 60°C
Isolation	1.5 kVrms
IP class	IP20
Connection	Screw terminals
Mounting type	Rail mounted

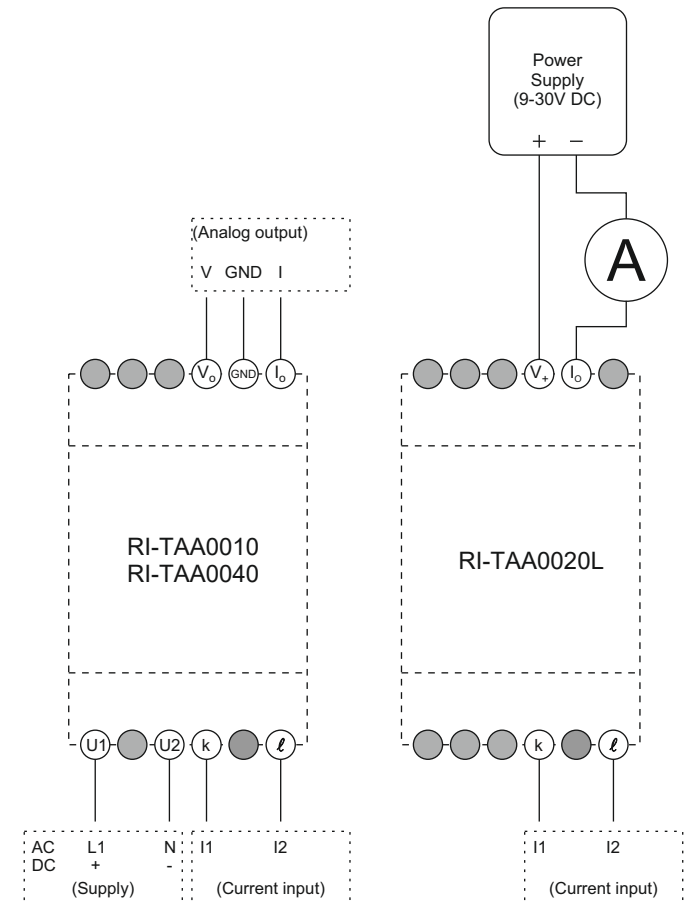
dimensions



failure indication

Failure Status	LED Indication
voltage output mode: short circuit	Err: 
current output mode: open circuit	Err: 
no signal	ON: 

connections



isolation diagram

