



ENCLOSURE FOR 22MM PROGRAM METAL VERSION 1 COMMAND POSITION YELLOW TOP PART WITH PROTECTIVE COLLAR A=EMER.-STOP40MM ROT.-TO-UNLAT. 2NC !!! Phased-out product !!! SIRIUS ACT 3SU1 is successor Preferred successor type is >>3SU1851-0NB00-2AC2<<

product brand name	SIRIUS
product type designation	3SB3
Enclosure	
design of the housing	Enclosure for command and signaling devices with standard equipment
shape of the enclosure front	Square
material of the enclosure	metal
number of command points	1
product component protective collar	Yes
color of the enclosure top part	yellow
delivery state	
• as a kit	No
• pre-wired on strip terminal	No
fastening method of the enclosure	Vertical / horizontal
Actuator	
design of the actuating element	Emergency stop mushroom pushbutton
product feature	
• lockout	No
product extension optional light source	No
color of the actuating element	red
material of the actuating element	metal
type of unlocking device	rotate-to-unlatch mechanism
Front ring	
product component front ring	No
Holder	
material of the holder	Metal
Contact block/ lampholder	
number of lampholders	0
number of switching elements	2
General technical data	
product function	
• positive opening	Yes
• EMERGENCY OFF function	Yes
• EMERGENCY STOP function	Yes
product component	
• light source	No
• stand/pedestal	No
type of voltage of the operating voltage	AC/DC
protection class IP	IP67
vibration resistance according to IEC 60068-2-6	20 ... 200 Hz: 5g
reference code according to IEC 81346-2	S

Substance Prohibitance (Date)	07/01/2006
operating voltage	
• at AC	
— at 50 Hz rated value	5 ... 400 V
— at 60 Hz rated value	5 ... 300 V
• at DC rated value	5 ... 230 V
operating voltage 1	
• at AC	
— at 50 Hz rated value	400 V
— at 60 Hz rated value	300 V
• at DC rated value	230 V
Auxiliary circuit	
number of NC contacts for auxiliary contacts	2
number of NO contacts for auxiliary contacts	0
number of CO contacts for auxiliary contacts	0
operational current at AC-12	
• at 24 V rated value	10 A
• at 48 V rated value	10 A
• at 110 V rated value	10 A
• at 230 V rated value	10 A
• at 400 V rated value	10 A
operational current at AC-15	
• at 24 V rated value	6 A
• at 48 V rated value	6 A
• at 110 V rated value	6 A
• at 230 V rated value	6 A
• at 400 V rated value	3 A
operational current at DC-12	
• at 24 V rated value	10 A
• at 48 V rated value	5 A
• at 110 V rated value	2.5 A
• at 230 V rated value	1 A
operational current at DC-13	
• at 24 V rated value	3 A
• at 48 V rated value	1.5 A
• at 110 V rated value	0.7 A
• at 230 V rated value	0.3 A
Connections/ Terminals	
type of electrical connection on enclosure	Cable routing above, below / left, right, each 1 x M20
tightening torque of the screws in the bracket	1.4 ... 1.6 N·m
Safety related data	
proportion of dangerous failures	
• with low demand rate according to SN 31920	20 %
• with high demand rate according to SN 31920	20 %
B10 value with high demand rate according to SN 31920	100 000
failure rate [FIT] with low demand rate according to SN 31920	100 FIT
Ambient conditions	
ambient temperature	
• during operation	-25 ... +70 °C
• during storage	-40 ... +80 °C
environmental category during operation according to IEC 60721	3K6
Installation/ mounting/ dimensions	
fastening method of contact blocks, socket, and accessories	Floor mounting
height	85 mm
width	85 mm
depth	114 mm
shape of the installation opening	round
mounting diameter	22 mm
Accessories	

number of labels	0
number of backing plates	0
product component holder for 3 switching elements	No

Approvals Certificates

General Product Approval	Marine / Shipping	other
--------------------------	-------------------	-------



[Confirmation](#)

Further information

Information on the packaging

<https://support.industry.siemens.com/cs/ww/en/view/109813875>

Information- and Downloadcenter (Catalogs, Brochures,...)

<https://www.siemens.com/ic10>

Industry Mall (Online ordering system)

<https://mall.industry.siemens.com/mall/en/en/Catalog/product?mlfb=3SB3801-2EF3>

Cax online generator

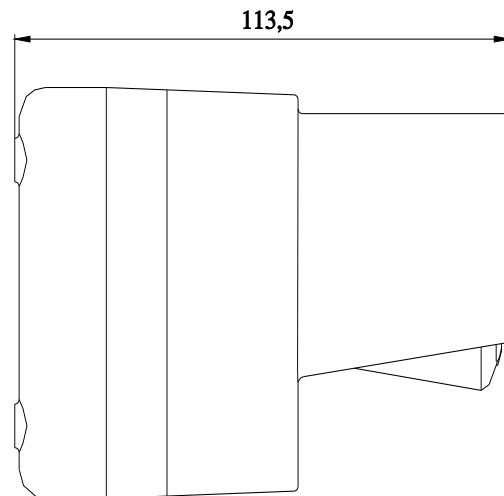
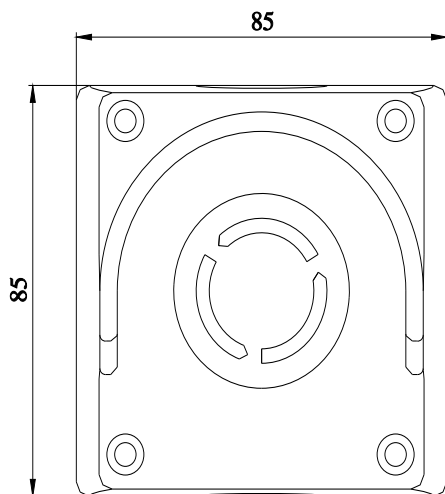
<http://support.automation.siemens.com/WW/CAXorder/default.aspx?lang=en&mlfb=3SB3801-2EF3>

Service&Support (Manuals, Certificates, Characteristics, FAQs,...)

<https://support.industry.siemens.com/cs/ww/en/ps/3SB3801-2EF3>

Image database (product images, 2D dimension drawings, 3D models, device circuit diagrams, EPLAN macros, ...)

http://www.automation.siemens.com/bilddb/cax_de.aspx?mlfb=3SB3801-2EF3&lang=en



last modified:

3/2/2024