

Preparation of compressed air → Maintenance units and components

Series AS2

Accessories

Reservoir, Series AS2-CLS/ -CLP/ -CLC

► for filters, pre-filters and microfilters ► Material: Polycarbonate, Die cast zinc ► with window



00119625

Version

Ambient temperature min./max.

Medium temperature min./max.

Working pressure min./max.

Medium

Filter reservoir volume

Reservoir

-10°C / +50°C

-10°C / +50°C

16 bar

Compressed air

28 cm³

Materials:

Seal

Acrylonitrile Butadiene Rubber

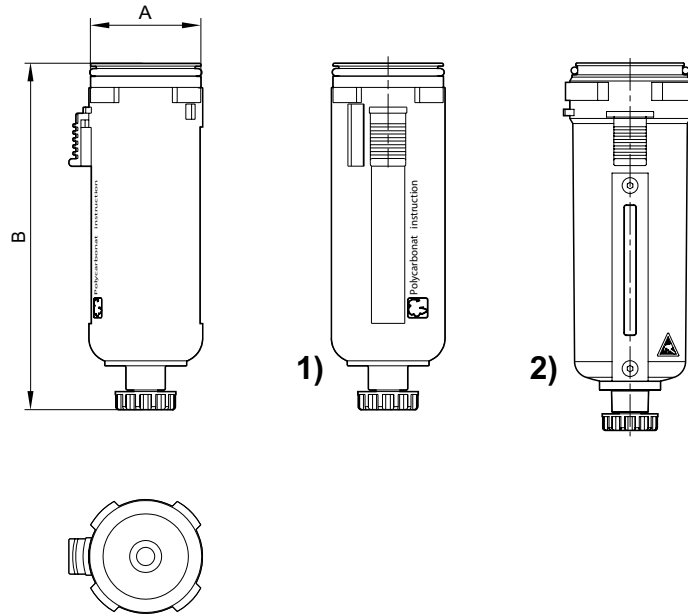
Condensate drain	Reservoir	Protective guard	Weight [kg]	Fig.	Part No.
semi-automatic, open without pressure	Polycarbonate	Polyamide	0.077	Fig. 1	R412006338
fully automatic, open without pressure	Polycarbonate	Polyamide	0.12	Fig. 2	R412006339
fully automatic, closed without pressure	Polycarbonate	Polyamide	0.12	Fig. 2	R412006340
semi-automatic, open without pressure	Die cast zinc, ◯ with window	-	0.338	Fig. 1	R412006344
fully automatic, open without pressure	Die cast zinc, ◯ with window	-	0.39	Fig. 2	R412006345
fully automatic, closed without pressure	Die cast zinc, ◯ with window	-	0.39	Fig. 2	R412006346

Preparation of compressed air → Maintenance units and components

Series AS2

Accessories

Fig. 1



00121208

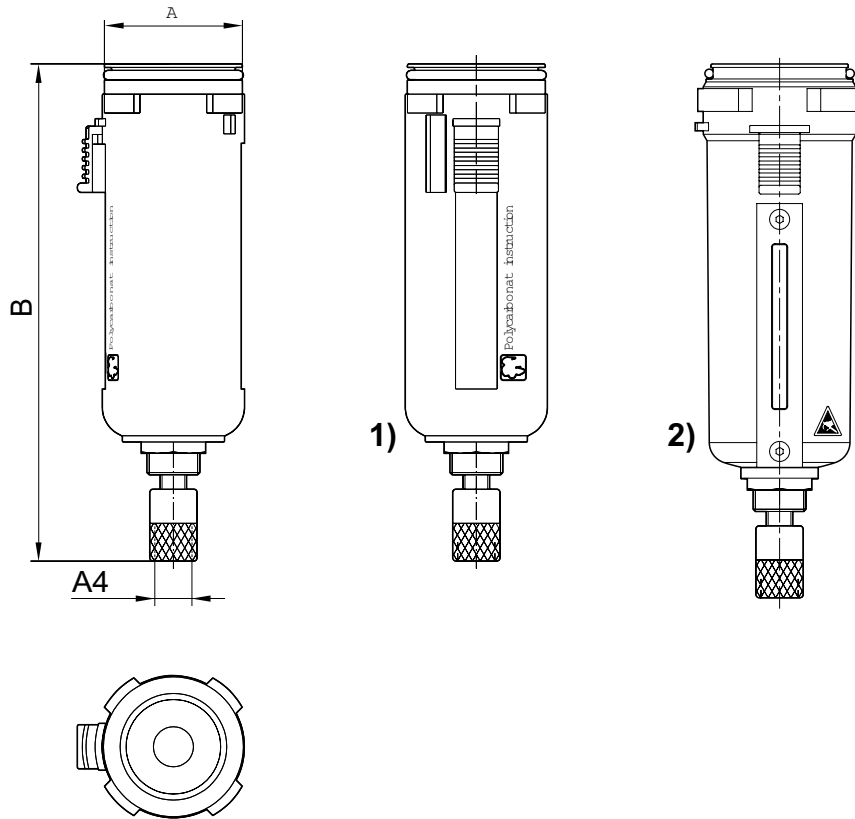
- 1) Plastic reservoir and protective guard with window
 2) Metal reservoir with inspection glass

Part No.	A	B										
R412006338	37.6	115.5										
R412006344	37.6	115.5										

Preparation of compressed air → Maintenance units and components

Series AS2
Accessories

Fig. 2



- 1) Plastic reservoir and protective guard with window
- 2) Metal reservoir with inspection glass

00121207

Part No.	A4	A	B									
R412006339	G 1/8	37.6	132									
R412006340	G 1/8	37.6	132									
R412006345	G 1/8	37.6	132									
R412006346	G 1/8	37.6	132									