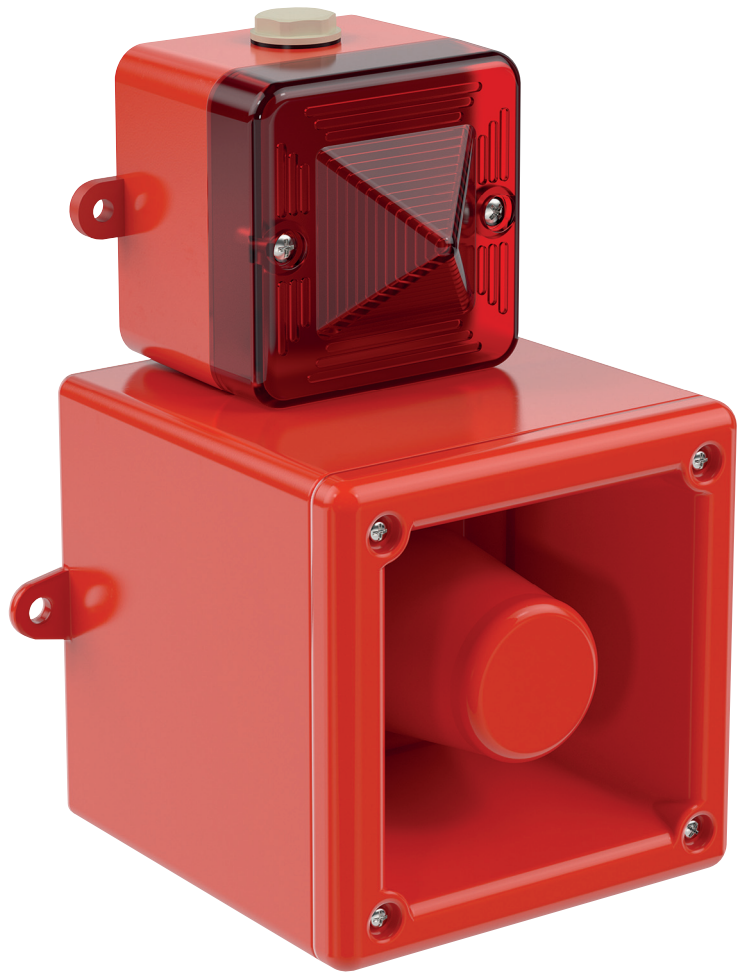


**Features**

- Available with custom sound and frequency configurations
- Duplicate cable terminations for daisy-chain installations
- Input overload and reverse current protection
- Prismatic lens optimises LED effectiveness
- FM approval

**Assembly****Technical data****Electrical specifications**

Operating voltage 16 ... 28 V DC , via zener barrier or galvanic isolator

Operating current 25 mA @ 24 V via 28 V 300 Ω zener barrier

Terminal capacity 0.5 ... 2.5 mm<sup>2</sup>

Function alarm sounder

Lens color red , amber and clear  
clear with LEDs in green or blue

Sound pressure level, nominal 105 dB @ 1 m +/- 3 dB - sound 2 , 96 dB @ 3 m

Sound pressure level, control 96 ... 105 dB , sound 2

Effective sound range 60 m @ 1 kHz

Number of sounds 32 , UKOOA / PFEER compliant

Number of stages 3

Function 2 flashing beacon

Flash mode double flash at 2 Hz and 1 Hz

Effective luminous intensity, measured 48 cd measured according to I.E.S.

Illuminant, type array of 6x high-intensity LED

**Mechanical specifications**

Degree of protection IP66

**Cable entry face A**

M20 quantity 1

M20 type thru-holes

M20 info Stopping Plug 1x plastic

**Cable entry face B**

M20 quantity 1

M20 type thru-holes

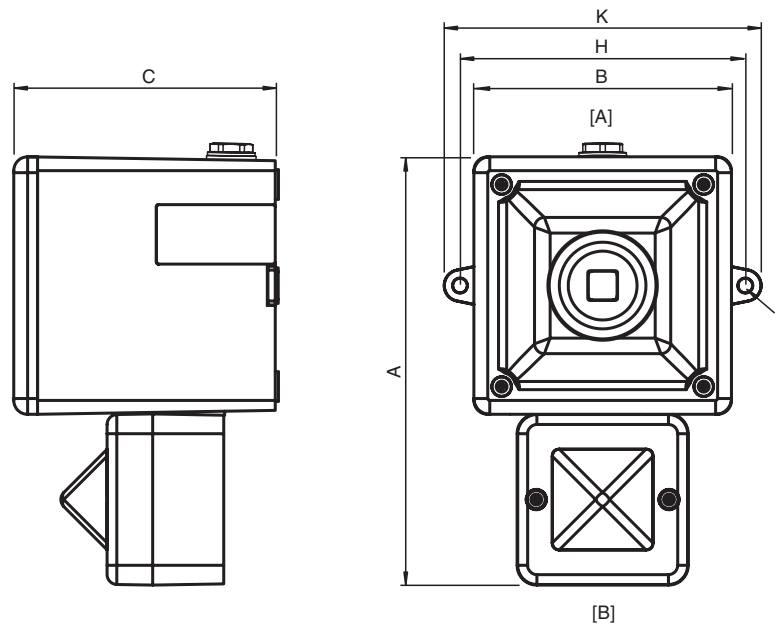
**Material**

Enclosure fiber reinforced ABS, UL94-V0 and 5VA

Finish RAL 3000 (red)

Mounting bracket	stainless steel 1.4301 / AISI 304
Mass	1.15 kg
<b>Dimensions</b>	
External dimension (A)	216.2 mm
External dimension (B)	130 mm
External dimension (C)	133.5 mm
Mounting holes distance (H)	144 mm
Mounting holes diameter (J)	7 mm
Maximum external dimension (K)	160 mm
<b>Ambient conditions</b>	
Ambient temperature	-40 ... 60 °C (-40 ... 140 °F)
Storage temperature	-40 ... 70 °C (-40 ... 158 °F)
<b>Data for application in connection with hazardous areas</b>	
EU-type examination certificate	SIRA 04 ATEX 2301X
Marking	Ex II 1 G Ex ia IIC T* Ga , T4 @ Ta +60 °C
<b>International approvals</b>	
FM approval	
Approved for	Class I, Division 1, Groups A, B, C, D, T4 Class I, Zone 0, AEx ia IIC T4
IECEX approval	IECEX SIR 04.0038X
EAC approval	RU C-GB.MH04.B.00048
<b>Conformity</b>	
Degree of protection	EN 60529
<b>General information</b>	
Scope of delivery	device , Instruction leaflet
Supplementary information	EC-Type Examination Certificate, Statement of Conformity, Declaration of Conformity, Attestation of Conformity and instructions have to be observed where applicable. For information see <a href="http://www.pepperl-fuchs.com">www.pepperl-fuchs.com</a> .

## Dimensions



## Legend

A	Height
B	Width
C	Depth
G	Mounting holes distance
H	Mounting holes distance
H1	Mounting holes distance from edge of bracket

Release date 2020-01-21 15:30 Date of issue 2020-01-21 t191176\_eng.xml

Refer to "General Notes Relating to Pepperl+Fuchs Product Information".

Pepperl+Fuchs Group  
www.pepperl-fuchs.com

USA: +1 330 486 0002  
pa-info@us.pepperl-fuchs.com

Germany: +49 621 776 2222  
pa-info@de.pepperl-fuchs.com

Singapore: +65 6779 9091  
pa-info@sg.pepperl-fuchs.com

J	Mounting holes diameter
K	Maximum outer dimension with bracket
K1	Maximum outer dimension with horn
S	Depth of mounting bracket
[A] ... [B]	Cable entry faces

Dimension values see technical data table.

Image and drawing are generic for this device type and may deviate from the specific variant.