

PRODUCT SHEET

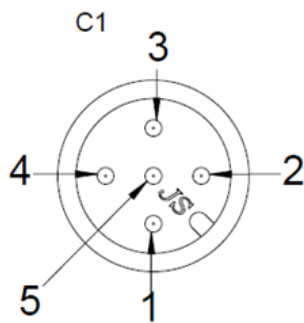
M12-C112 cable

2TLA020056R2000

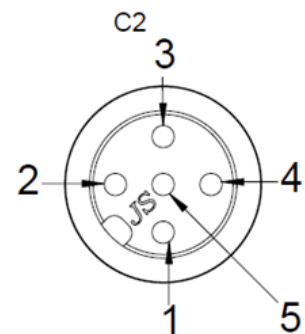
1 m cable 5 x 0.34 mm² + shield with straight M12-5 female + male connectors. Shield connected to pin3 (0V) on male connector.



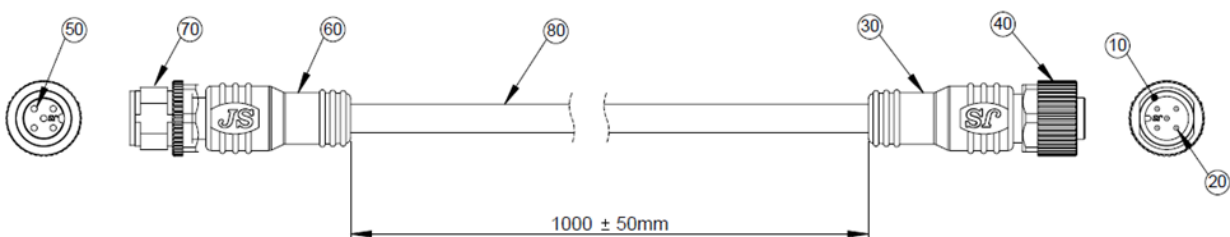
Pin configuration



C1	Wire	C2
1	Brown	1
2	White	2
3	Blue	3
3	Shield	-
4	Black	4
5	Grey	5



Material



Qty	Unit	Pos.	Description
1	pcs	10	O-ring green OD 9.6, ID6.39
5	pcs	20	Female terminal (brass, 6u" gold plated)
2	g	30	M12 female housing (PA6.6 30%GF)
1	pcs	40	M12 brass nut nickel plated
5	g	50	Male terminal (brass, 6u" gold plated)
1	pcs	60	M12 male housing (PA6.6 30%GF)
1	pcs	70	M12 brass screw nickel plated
1050	mm	80	UL2426 OD5.5mm (5x0,34mm ²) black PVC

Ordering information

Description	Type	Order code
M12-C201 1m cable M12-5 female and male connector	M12 Cable	2TLA020056R2000

Technical data

Technical data	
Specification	UL2464 22AWG
Conductor Size	22 tinned copper (AWG), 0.34mm ²
Insulation Material	PVC (RoHS)
Insulation Outer Diameter	1.3 +/- 0.10 mm
Insulation Color	Brown, White, Blue, Black, Gray
Jacket Material	PVC (RoHS)
Jacket Outer Diameter	5.5 +/- 0.20 mm
Jacket Color	Black
Nominal Voltage	24 V DC
Maximum Rated Voltage	36 V DC
Maximum Rated Temperature	80 ° C
IP Class	IP67/IP69K
Conductor Resistance	60.25 Ω/KM 20° C
Insulation Resistance	2.5 MΩ/KM 25° C

Cable markings



ABB  AWM 2464 22AWG VW-1 80°C 300V E343967 FINECABLES
 AWM 22AWG I/II A FT1 80°C 300V +LF+ Max 36VDC

ABB AB

Jokab Safety

Varlabergsvägen 11
SE-43439 Kungsbacka
Tel. +46 (0) 21-32 50 00

www.abb.com/jokabsafety

Note

We reserve the right to make technical changes or modify the contents of this document without prior notice. With regard to purchase orders, the agreed particulars shall prevail. ABB AB does not accept any responsibility whatsoever for potential errors or possible lack of information in this document.

Copyright© 2019 ABB
All rights reserved