



WT9-2P141

PRODUCT PORTFOLIO

SICK
Sensor Intelligence.



Illustration may differ



Ordering information

Type	Part no.
WT9-2P141	1018301

Other models and accessories → www.sick.com/

Detailed technical data

Features

Sensor/ detection principle	Photoelectric proximity sensor, Background suppression
Dimensions (W x H x D)	12 mm x 40 mm x 22 mm
Housing design (light emission)	Rectangular
Sensing range max.	10 mm ... 20 mm ¹⁾
Sensing range	10 mm ... 20 mm ¹⁾
Type of light	Visible red light
Light source	LED

¹⁾ Object with 90 % reflectance (referred to standard white, DIN 5033).

Mechanics/electronics

Supply voltage	10 V DC ... 30 V DC
Ripple	≤ 5 V _{pp}
Power consumption	≤ 30 mA ¹⁾
Switching output	PNP
Switching mode	Light/dark switching
Response time	≤ 625 μs ²⁾
Connection type	Cable, 2 m ³⁾
Conductor cross-section	0.14 mm ²
Housing material	Plastic, ABS
Optics material	Plastic, PMMA

¹⁾ Without load.

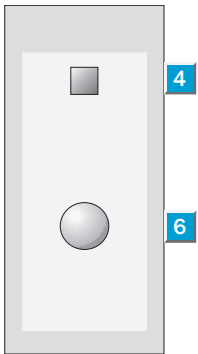
²⁾ Signal transit time with resistive load.

³⁾ Do not bend below 0 °C.

Enclosure rating	IP69K
Ambient operating temperature	-40 °C ... +60 °C
Ambient storage temperature	-40 °C ... +75 °C
UL File No.	NRKH.E181493 & NRKH7.E181493

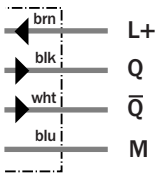
- 1) Without load.
- 2) Signal transit time with resistive load.
- 3) Do not bend below 0 °C.

Adjustments possible

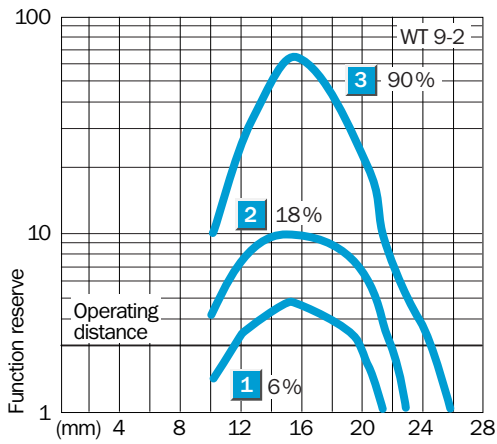


- ④ LED reception indicator, yellow
- ⑥ Teach-in button

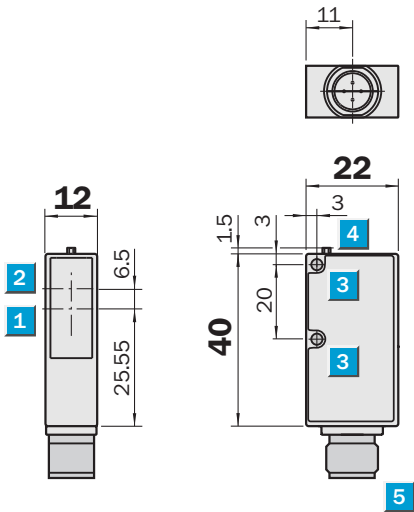
Connection diagram



Characteristic curve



Dimensional drawing (Dimensions in mm (inch))



- ① Center of optical axis, receiver
- ② Center of optical axis, sender
- ③ Mounting hole \varnothing 3.2 mm
- ④ LED signal strength indicator
- ⑤ Connector M12, 4-pin, 2m connection cable or 120mm cable with connector M12, 4-pin
- Ⓞ Teach-in button

SICK AT A GLANCE

SICK is one of the leading manufacturers of intelligent sensors and sensor solutions for industrial applications. A unique range of products and services creates the perfect basis for controlling processes securely and efficiently, protecting individuals from accidents and preventing damage to the environment.

We have extensive experience in a wide range of industries and understand their processes and requirements. With intelligent sensors, we can deliver exactly what our customers need. In application centers in Europe, Asia and North America, system solutions are tested and optimized in accordance with customer specifications. All this makes us a reliable supplier and development partner.

Comprehensive services complete our offering: SICK LifeTime Services provide support throughout the machine life cycle and ensure safety and productivity.

For us, that is “Sensor Intelligence.”

WORLDWIDE PRESENCE:

Contacts and other locations –www.sick.com