



Data Sheet 4.5

Powersafe Electrical Switch: KS20ES

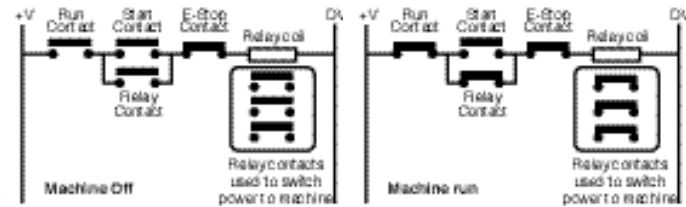


GENERAL DESCRIPTION

The **KS20ES is a key operated, 3 position, 20amp electrical switch** unit complete with Emergency Stop. The switch is suitable for the isolation or switching of low 20 amp (maximum) current. This product has the advantage of being able to start, stop and run a machine and is not reliant on a separate start signal from an external source. This type of isolator should be used for short term, off load isolation and operated by suitably qualified personnel. The KS20ES is manufactured from either brass or stainless steel making it suitable for use in standard or harsh corrosive environments where the lock is subject to heavy use. The unit is supplied suitable for surface mounting within its own IP65 rated polycarbonate enclosure. Typical industries using the KS20ES are high volume automated 'cell' orientated production facilities, i.e. Automotive, Packaging etc.

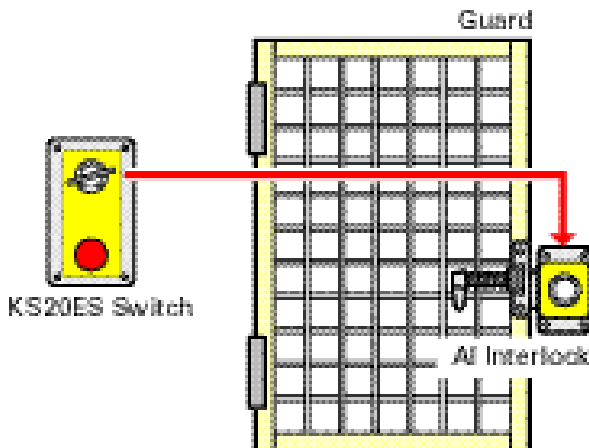
OPERATION

Under normal operating conditions the key is retained in the lock portion in the 'run' position. Rotation and subsequent removal of the key will alter the condition of the contacts within the switch to the open position, isolating the supply to the machine. To start the machine, the key is inserted and rotated to the 'start' position (all contacts closed) and then released. The key will automatically spring back to the 'run' position (2 closed 1 open contacts). The emergency stop button can be depressed at any time to isolate the electrical supply. The switch condition cannot be changed without the correctly coded key.

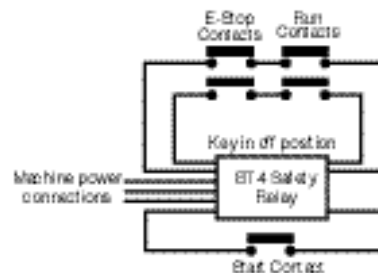


TYPICAL SYSTEM

The KS20ES is designed to operate as part of an integrated safety system, controlling access to hazardous areas. A typical example of machine isolation and access control is shown below.



Alternatively, the unit can be configured for use with a safety relay for category 4 safety applications.



SYSTEM DESCRIPTION

The removal of the key from the KS20ES, opens the switch contacts, isolating the supply to the machine. This key is then used to unlock the interlock on the access door. The guard can only be opened when the electrical supply has been switched into a safe condition.

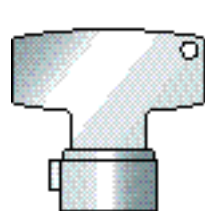
For more information visit our website: <http://www.castell.com>



Data Sheet 4.5

Type: KS20ES

Lock Portion Options



Up to 3 symbols

FS

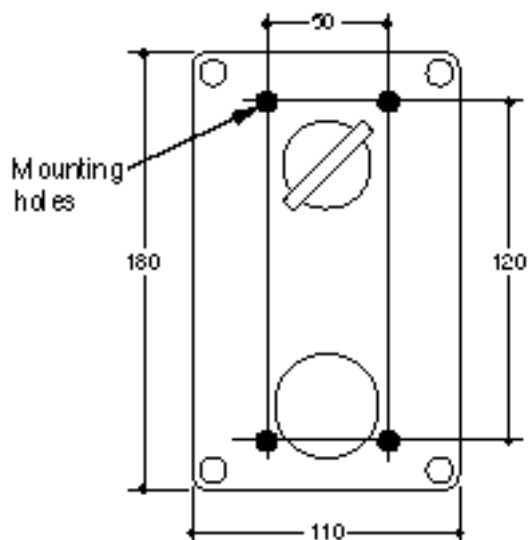


Up to 6 symbols

Q

(non masterable)

Mounting Details



FEATURES

- Key driven, force break 20 amp 3 pole switch conforming to IEC947/3.
- Suitable for category 4 application if connected through cat 4 safety relay.
- Complete with emergency stop and supplied in IP65 poly enclosure .
- Current isolation 400MA to 20A / motor isolation AC-23A 7.5kw or AC3 5.5kw.
- UL, CSA approval in accordance with BS and VDE.

MATERIALS AND FINISHES

- **Standard Model** Brass / Polycarbonate

OPTIONS

- See data sheet N°. 11.0

TECHNICAL DIMENSIONS

- Product dimensions available from our web site, via e-mail, fax or telephone.

ORDERING INFORMATION REQUIRED

SPECIFY

Product Type:

Lock Portion Type:

Lock Portion Symbol:

Key Required:

Options:

FAX BACK ON 020 8905 9378 FOR IMMEDIATE QUOTATION



CASTELL SAFETY INTERNATIONAL LIMITED

Kingsbury Road London NW9 8UR • Tel: 020 8200 1200 Fax: 020 8205 0055 • <http://www.castell.com> E-mail: sales@castell.co.uk

Whilst every effort has been made to ensure the accuracy of the information provided, no liability can be undertaken for any errors or omission. Castell Safety International Limited reserves the right to alter specifications and introduce improvements without prior notice.