

Data sheet

Commercial Art.No.: 92.944.3053.1

Connector GST18I4S S1 ZR1 SW

GST18i4 Connector, number of poles 4, male, connection type screw connection, rated voltage 250 V / 400 V, rated current 20 A, cable diameter 6.8 - 11.5 mm, color of coding/ contact carrier black



Commercial Art.No.	92.944.3053.1
EAN	4015573785625
Order Unit	1

Certificates / Approvals



Technical data

General

Rated current	20 A
Rated voltage	250 V / 400 V
Rated impulse voltage	4 kV
strain relief	yes
Pollution degree	2
Mechanical coding	Code 1
Lockable	self-locking (unlocking by tool)
Color of coding/ contact carrier	black
Marking of poles	2, N, PE, 1
Color of housing inclusive strain relief	black

Connection Data

Cable diameter max.	11.5 mm
Cable diameter min.	6.8 mm
Connection cross section solid mm ² max.	2.5 mm ²
Connection cross section solid mm ² min.	0.75 mm ²
Connection cross section fine stranded mm ² max.	2.5 mm ²
Connection cross section fine stranded mm ² min.	0.75 mm ²
Terminations per pole	2
sheath strip length	38.5 mm
Wire strip length	7 mm

Model

Model	male
Connection type	screw connection
Degree of protection (IP)	IP20

Material

Housing material	Polyamide
halogen free	yes
Contact material	CuZn
Fire load	0.122 kWh
Insulation components continuous temperature	100 °C
Surface finish	Tin-plated

Dimensions

Length	69.4 mm
Width	38 mm
Height	15 mm

Classification

ECLASS 11	
ECLASS 8.1	27440605
ETIM 7.0	EC002560
ETIM 6.0	EC002560
ETIM 5.0	EC002560
ETIM 4.0	EC002560

Product compliance

ROHS conformity status	Compliant/Exempted
ROHS exceptions	III-6(c)
REACH-SVHC conformity status	Duty-To-Declare
REACH-SVHC substances	Lead
REACH-SVHC CAS numbers	7439-92-1

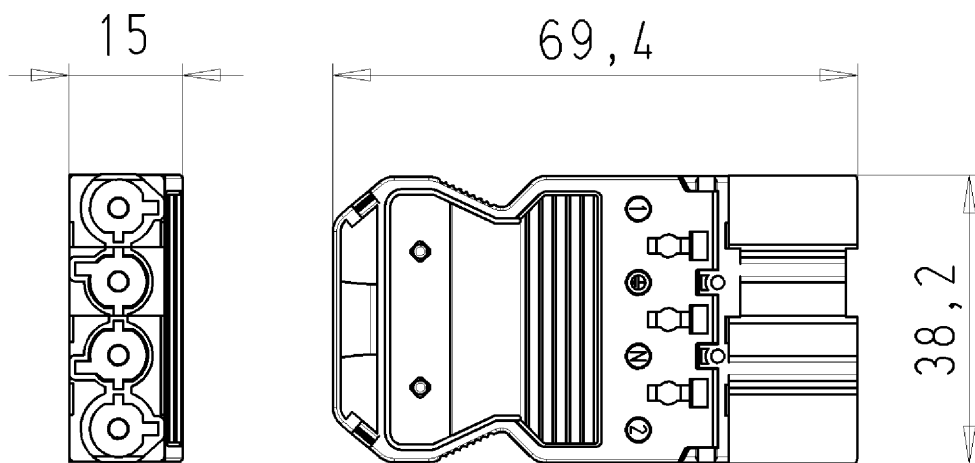
Accessories

Commercial Art.No.:	Article-type description:	Description:
05.587.3156.0	Lock (G)ST18 WS	Locking device for cable to cable connection GST18i3-5, white
05.564.5353.0	cover cap GST18i3/4/5 SW	Cover piece 12 pole black for female parts GST18i3-6
05.564.5353.2	cover cap GST18i3/4/5 WS	Cover piece 12 pole white for female parts GST18i3-6
05.566.9153.0	cover cap GST18i4 BUCHSEN	Cover for female connectors GST18i4, black
05.587.3156.1	Lock (G)ST18 SW	Locking device for cable to cable connection GST18i3-5, black

Fits with

Commercial Art.No.:	Article-type description:	Description:
92.943.3053.1	Connector GST18i4S B1 ZR1 SW	GST18i4 Connector, number of poles 4, female, connection type screw connection, rated voltage 250 V / 400 V, rated current 20 A, cable diameter 6.8 - 11.5 mm, color of coding/ contact carrier black

92.043.0058.1	Device connector GST18i4L B1H SW	GST18i4 Device connector, solder connector, horizontal, without fastening flange, number of poles 4, model female, connection type Soldering connection, rated voltage 250 V / 400 V, rated current 20 A, color of coding/ contact carrier black
92.207.1000.1	Cable assembly GST18i4KSBS 15 10SW	GST18i4 connecting cable, female - male, number of poles 4, rated voltage 250 V / 400 V, rated current 16 A, cable type H05VV-F, fire class Eca, total length 1 m, nominal cross section conductor 1.5 mm ² , color of coding/ contact carrier black
92.207.1003.1	Cable assembly GST18i4KSB- 15 10SW	GST18i4 connection cable, female - free end, number of poles 4, rated voltage 250 V / 400 V, rated current 16 A, cable type H05VV-F, fire class Eca, total length 1 m, nominal cross section conductor 1.5 mm ² , color of coding/ contact carrier black
92.207.1004.1	Cable assembly GST18i4KS-S 15 10SW	GST18i4 connection cable, male - free end, number of poles 4, rated voltage 250 V / 400 V, rated current 16 A, cable type H05VV-F, fire class Eca, total length 1 m, nominal cross section conductor 1.5 mm ² , color of coding/ contact carrier black



für folgende Tabellen-Zchnng.:
92.944.3053.0 GST1814S S1 ZR1...

Steckerteil mit
 Zugentlastung
92.944.3053.0 10W
 26.11.2007 Lunz S.
 M 1:1

Index "a" 25.06.08 LUS