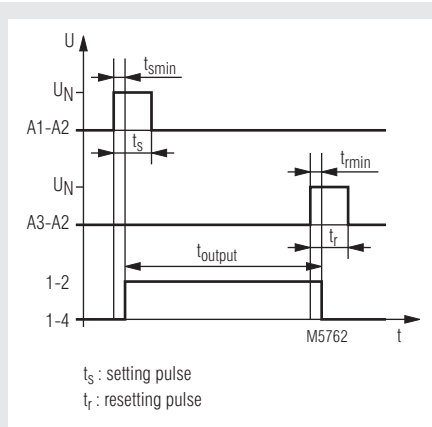


Latching Relay MK 8852



- According to IEC/EN 61 810-1
- Setting input A1 - A2
- Reset input A3 - A2
- Storage function
- Switch position indication
- Manual operation
- Width 22.5 mm

Function Diagram



Approvals and Marking



Application

Impulse conversion into a permanent function*

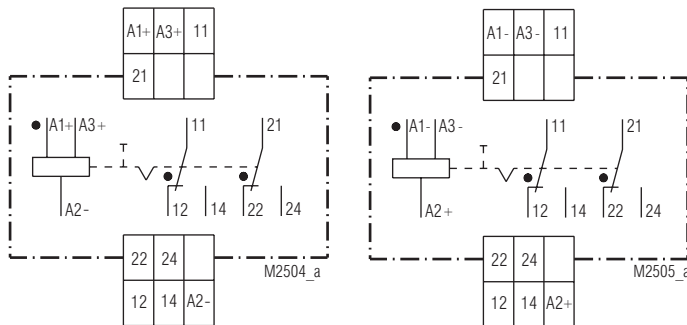
Notes

Latching relays are designed for pulse operation. In case of cyclic pulsed operation, the recommended pulse duration for t_s and t_r are within 0.03 ... 2 s each. A pulse-interval-ratio of 25 % duty cycle is recommended. In no case the permissible operating frequency may be exceeded. For single pulse operation pulse times of > 2 s are possible. A recovery time (min off time between 2 impulses) of > 6 s is required.

In case of a failure a continuous control is possible.

Simultaneous energization of A1 and A3 ist not allowed!

Circuit Diagrams



MK 8852.12

MK 8852.12/002

* A pulse (input) is leading to a continuous function (output).

Technical Data

Input

Operating mode:	Impulse operation
Nominal voltage U_N:	AC / DC 24 V, 30 ... 80 V, 96 ... 150 V, 180 ... 240 V DC 110, 240 V
Voltage range:	0.8 ... 1.1 U_N
Nominal consumption:	1.35 W
Nominal frequency:	50 / 60 Hz
Frequency range:	± 5 %
Min. pulse duration ($\hat{=}$ $t_{s, \min}$ and $t_{r, \min}$):	30 ms

Output

Contacts	
MK 8852.12:	2 changeover contacts
Operate time of contacts:	10 ms
Release time of contacts:	10 ms
Thermal current I_{th}:	6 A
Switching capacity	IEC/EN 60 947-5-1
to AC 15:	4 A / 230 V
to DC 13:	1.5 A / 24 V 0.1 A / 230 V
Electrical life	IEC/EN 60 947-5-1
to AC 15 at 4 A, AC 230 V:	> 1 x 10 ⁵ switching cycles
Permissible switching frequency:	3 600 switching cycles/h ... continuous operation $\hat{=}$ t_{output}
Short-circuit strength	
max. fuse range	6 A gL IEC/EN 60 947-5-1
Mechanical life:	10 x 10 ⁶ switching cycles
General Data	

Temperature range:	- 25 ... + 50 °C
Clearance and creepage distances	
rated impuls voltage / pollution degree:	4 kV / 2 IEC 60 664-1
EMC	
Electrostatic discharge:	8 kV (air) IEC/EN 61 000-4-2
HF irradiation:	10 V/m IEC/EN 61 000-4-3
Fast transients:	4 kV IEC/EN 61 000-4-4
Surge voltages	
between	
wires for power supply:	2 kV IEC/EN 61 000-4-5
between wire and ground:	4 kV IEC/EN 61 000-4-5
HF-wire guided:	10 V IEC/EN 61 000-4-6
Interference suppression:	Limit value class B EN 55 011
Degree of protection	
Housing:	IP 40 IEC/EN 60 529
Terminals:	IP 20 IEC/EN 60 529
Housing:	Thermoplast with V0 behaviour according to UL subject 94
Vibration resistance:	Amplitude 0.35 mm frequency 10 ... 55 Hz IEC/EN 60 068-2-6
Climate resistance:	25 / 50 / 04 IEC/EN 60 068-1
Terminal designation:	EN 50 005
Wire connection:	2 x 2.5 mm ² solid or 2 x 1.5 mm ² stranded wire with sleeve DIN 46 228-1/-2/-3/-4 2 x 1.0 mm ² stranded wire with sleeve DIN 46 228-1/-2/-3/-4
Wire fixing:	Flat terminals with self-lifting clamping piece IEC/EN 60 999-1
Mounting:	DIN rail IEC/EN 60 715
Weight:	120 g

Dimensions

Width x height x depth:	22.5 x 82 x 102 mm
--------------------------------	--------------------

Standard Type

MK 8852.12 AC 230 V		
Article number:	0059338	stock item
• Output:	2 changeover contacts	
• Nominal voltage U_N :	AC 230 V	

Variant

MK 8852.12/002:	for DC-models, reversed polarity on input
-----------------	--

Ordering example for variant

