

Code structure

Attention! The feasibility of a code number does not mean the effective availability of a product. Please contact our sales office.

VF AP-P11A-200P

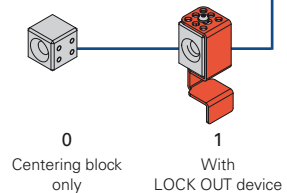
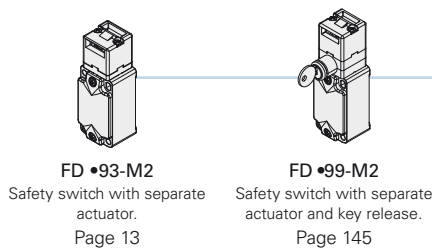
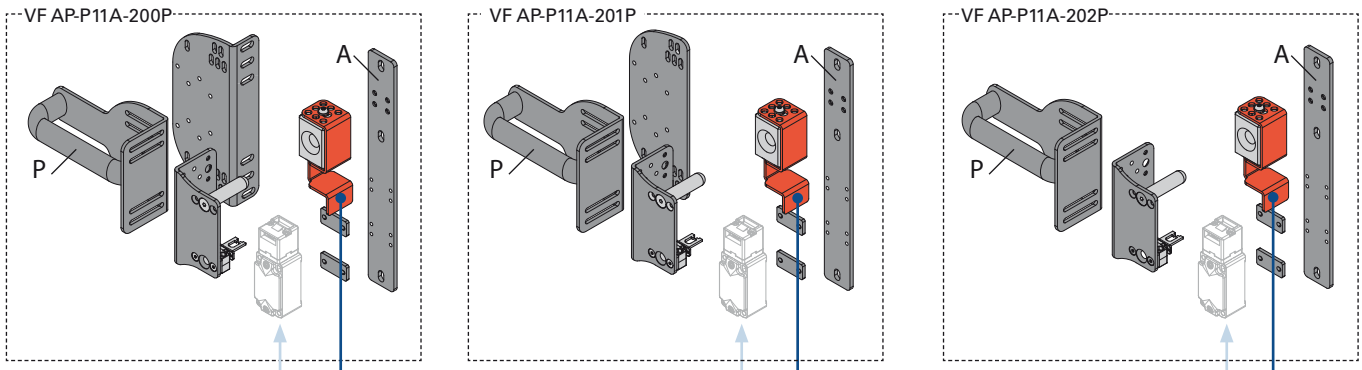
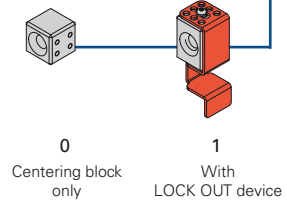
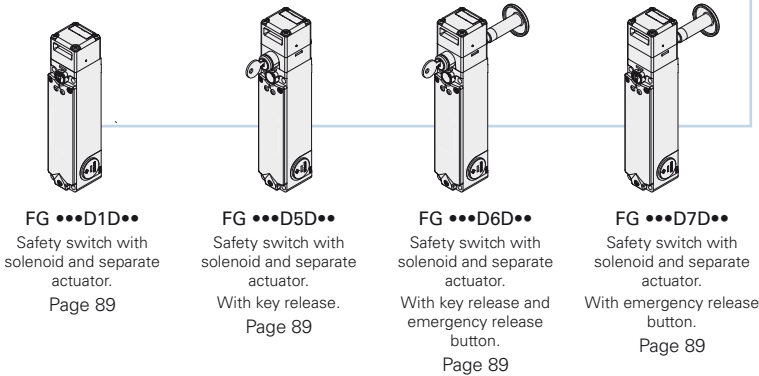
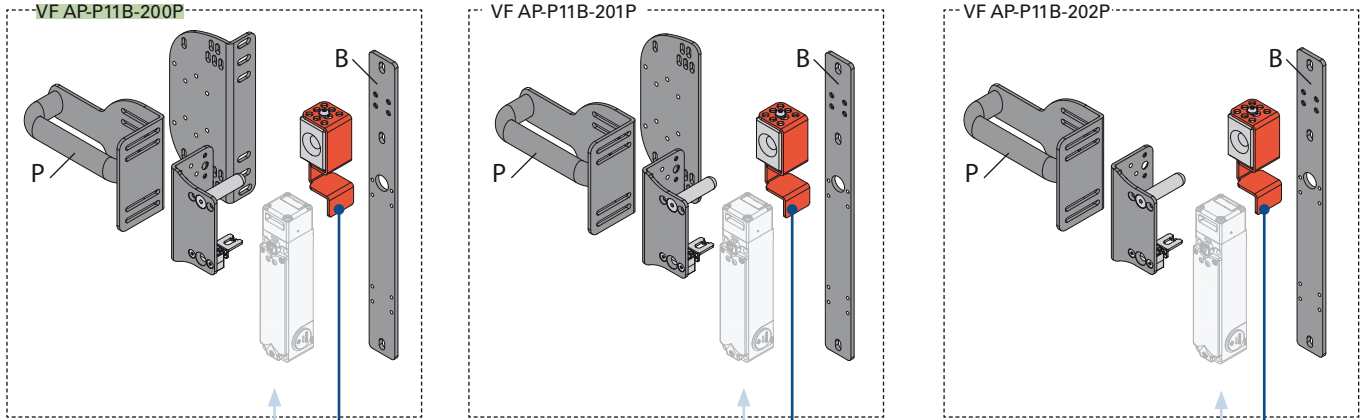
LOCK OUT device	
1	LOCK OUT device
0	Centering block only
2	LOCK OUT device with 100 N holding force

Mounting bracket supplied for installation	
A	FD •••••
B	FG ••••••••
Z	without plate (B) for FG brackets
Y	without plate (A) for FD brackets

Handle	
P	Plastic handle
M	Metal handle
Z	Without handle

Plate configuration	
200	Configuration with adjustable "L" plate for door profiles
201	Configuration with adjustable plain plate for door profiles
202	Configuration without adjustable plate for door profiles

Note: the handle is supplied complete with switch actuator as well as fastening screws for the handle, the switch, the actuator, and between the plates.

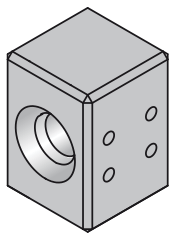


product options

Items with code on **green** background are stock items



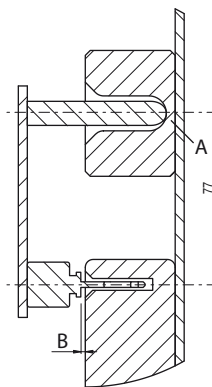
Robustness and simplicity



Thanks to its particular design and its special materials the safety handle can be used in heavy duty applications and with sturdy wide-ranging guards (min. 700 mm). In particular:

- Mounting system made up of robust painted brackets with thicknesses of 4 and 5 mm.
- Single-body centering block in stainless steel
- Large diameter centring pin in stainless steel
- Max. holding force of the actuator equal to 2800 N (versions with FG series switches).
- Stainless steel tamper proof bolts and screws and elastic washers (safety inserts excluded, see page 157).

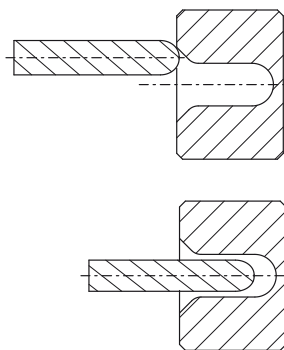
Mechanical stop



During door closing, the metal pin is flush to the bottom of the centring block (A) before the actuator can bump against the switch housing, leaving a safe distance (B), thus avoiding possible damage.

The metal pin is always flush on surfaces that transmit the impact to the frame and not to the switch, regardless of whether the lock-out device is open or closed.

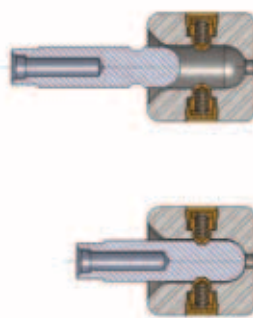
Centring



The centering of the pin on the block (both in stainless steel) forces the alignment between actuator and switch, ensuring a proper insertion preventing any risk of collisions.

This also allows a safe re-alignment of the protection to the frame, even in case of big axial misalignments.

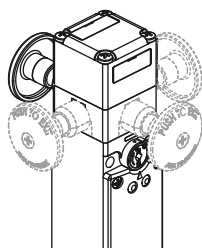
Holding force 100 N



A version of the lock-out device with 100 N holding force is available on request. With this new optional feature, the handle is kept in its limit-stop closed position; a moderately energetic pull is required to open the door. This device is ideal for all applications where multiple doors are unlocked simultaneously but only one is actually opened; all unlocked doors are held in position, thereby preventing vibrations or gusts of wind from opening them.

As a result, the machine can be restarted very quickly, as it is no longer necessary to close doors that were unlocked and inadvertently opened.

Emergency release button (FG series)

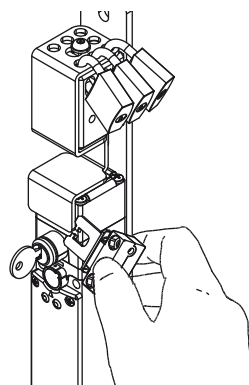


The FG series switches with actuator lock can be provided with an emergency release button that, if oriented towards the inside of the machinery, allows accidentally trapped personnel to escape even during a blackout.

Pushing the button results in the same function as the auxiliary release device. To reset the switch, just return the button to its initial position.

The emergency button can be rotated and is available with different lengths. It is fixed to the switch by means of a screw allowing the installation of the switch both inside and outside the guards.

Impossible to bypass with a separate actuator



As soon as the lock-out device has been actuated and locked, the slot in the switch for the actuator is no longer accessible.

If an operator is in possession of a second, separate actuator, he is not able to bypass blocking of the device and actuate the switch.

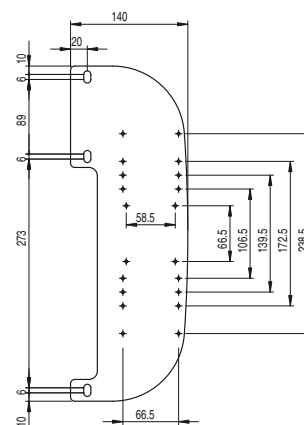
Profiled plate



Article	Description
VF AP-C001	Profiled lateral plate



Profiled plate to be installed under the fixing plate of the switch. Suitable for both right and left mounting and provided with holes, this plate can be used for the installation of housings for the EROUND line button panels by Pizzato Elettrica (by means of common self-threading screws available on the market).



Safety inserts set



Set with 3 x 1/4" hexagonal safety inserts. Connection DIN 3126, C 6.35. Hex mount with hole. The P-Kube safety handle is provided with tamper-proof screws. Therefore all 3 safety inserts of the set are required.

Article composition VF AP-K01:

Qty	Description	Length
1	Hexagonal insert 1/4" for M5 screws	3 mm 25 mm
1	Hexagonal insert 1/4" for M6 screws	4 mm 25 mm
1	Hexagonal insert 1/4" for M8 screws	5 mm 25 mm

Adhesive labels for emergency release button



Polycarbonate yellow adhesive, rectangular, 300x32 mm, red inscription. It has to be fixed on the internal part of the jamb and helps finding the emergency release button.

Article	Description and language	
VF AP-A1AGR01	PREMERE PER USCIRE	ita
VF AP-A1AGR02	PUSH TO EXIT	eng
VF AP-A1AGR04	ZUM OFFNEN DRUCKEN	deu
VF AP-A1AGR05	POUSSER POUR SORTIR	fra
VF AP-A1AGR06	PULSAR PARA SALIR	spa
VF AP-A1AGR07	НАЖАТЬ ДЛЯ ВЫХОДА	rus
VF AP-A1AGR08	NACISNAĆ ABY WYJŚĆ	pol
VF AP-A1AGR09	PRESIONAR PARA SAIR	por

Complete housings for profiled plate



ES AC32010

Description	Features	Diagram
Button - 1NO E2 1PU2R421L35 Contacts 1x E2 CF10G2V1	flush, spring-return, green pos. 2 / pos. 3 1NO pos. 1 /	
Button - 1NC E2 1PU2S321L1 Contacts 1x E2 CF01G2V1	projecting, spring-return, red pos. 2 / pos. 3 1NC pos. 1 /	

ES AC32043

Description	Features	Diagram
Indicator light E2 1ILA210 LED unit E2 LF1A2V1	white White LED, 12 ... 30 Vac/dc	
Button - 1NO E2 1PU2R4210 Contacts 1x E2 CF10G2V1	flush, spring-return, green pos. 2 / pos. 3 1NO pos. 1 /	

ES AC33076

Description	Features	Diagram
Illuminated button - 1NO E2 1PL2R2210 LED unit E2 LF1A2V1 Contacts 1x E2 CP10G2V1	flush, spring-return, white White LED, 12 ... 30 Vac/dc pos. 2 / pos. 3 LED pos. 1 1NO	
Illuminated button - 1NO E2 1PL2R5210 LED unit E2 LF1A2V1 Contacts 1x E2 CP10G2V1	flush, spring-return, yellow White LED, 12 ... 30 Vac/dc pos. 2 / pos. 3 LED pos. 1 1NO	
Emergency button Ø 40 mm- 2NC E2 1PERZ4531	rotary release, Ø 40 mm, red	
Label with shaped hole VE TF32G5700 Contacts 2x E2 CF01G2V1	yellow, 30x60 mm rectangular, no engraving pos. 2 1NC pos. 3 / pos. 1 1NC	

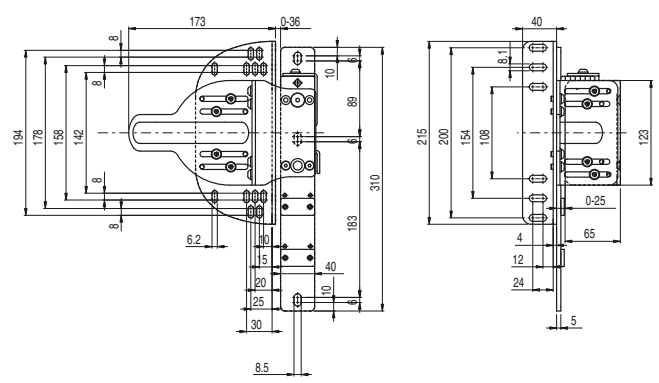
Accessories See page 299



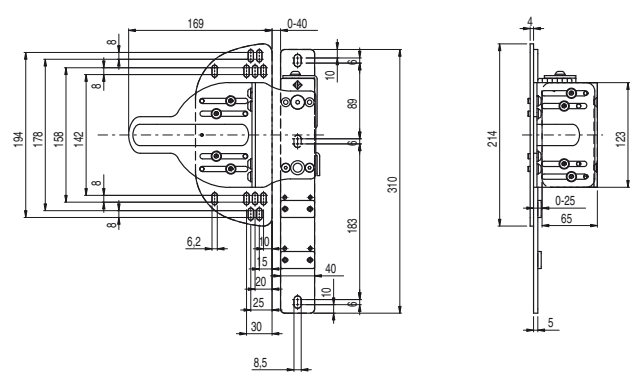
Dimensional drawings

All values in the drawings are in mm

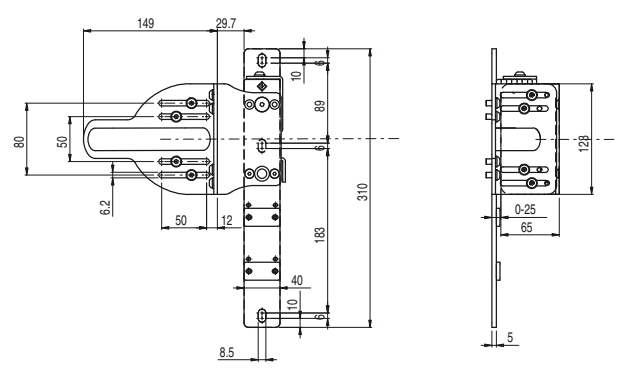
Safety handle VF AP-P1•A-200•



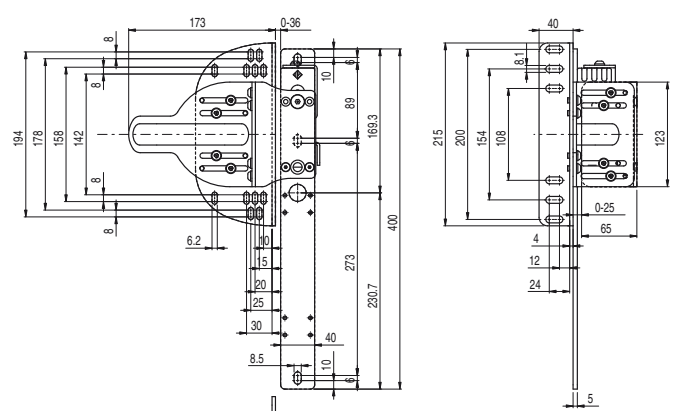
Safety handle VF AP-P1•A-201•



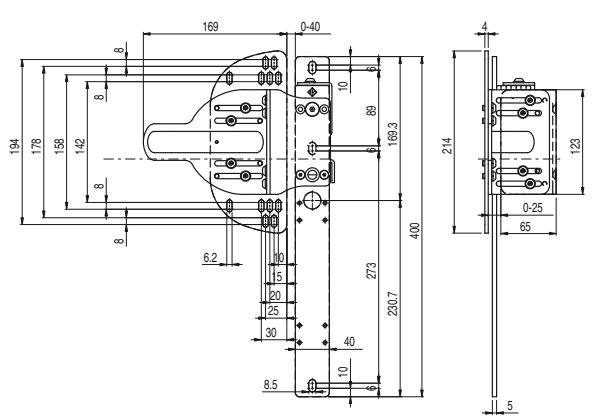
Safety handle VF AP-P1•A-202•



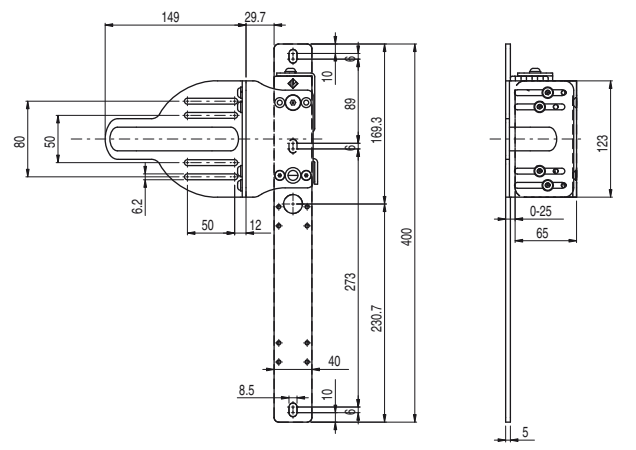
Safety handle VF AP-P1•B-200•



Safety handle VF AP-P1•B-201•



Safety handle VF AP-P1•B-202•



→ The 2D and 3D files are available at www.pizzato.com