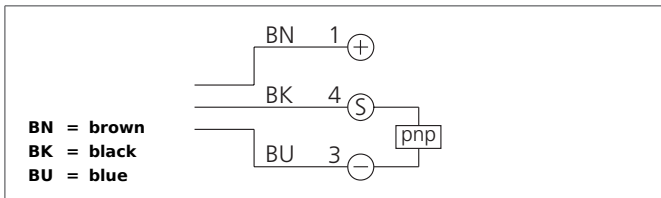


OTV 30 K 600 P1K-TSSL

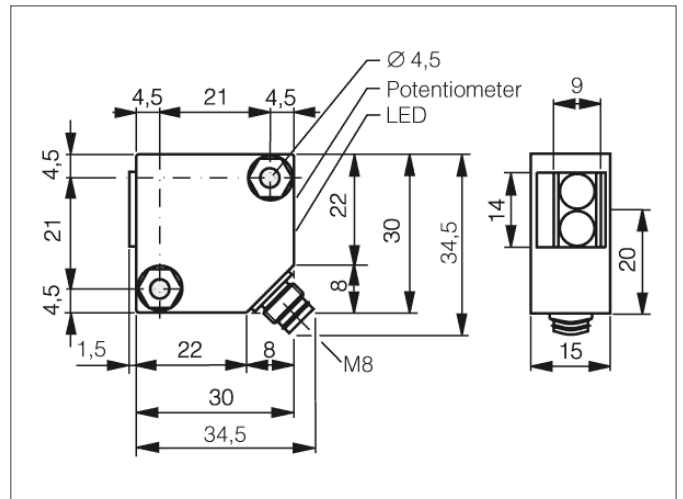
Diffuse Sensor

- Small design
- Infrared light, clocked
- Sensitivity adjustable, large operating distance
- 12-turn potentiometer



Safety instructions

The Instruments are not to be used for safety applications, in particular applications in which safety of persons depends on proper operation of the instruments.
These instruments shall exclusively be used by qualified personnel.
Repair only by di-soric.



TECHNICAL INFORMATION		+20°C, 24V DC
Evaluation		digital
Size		30 x 30 x 15 mm (Dimensions)
Design		cuboid design
Emitted light		Infrared, 880 nm, clocked
Standardized measuring plate		200 x 200 mm, white
Service voltage		10 ... 36 V DC
background suppression		no
Operating distance		600 mm
Output		pnp, 200 mA, NO
Sensitivity adjustment		potentiometer
Internal power consumption		< 15 mA
Voltage drop		< 2,0 V
Operating frequency		1.000 Hz
Response-/release time		< 0,5 ms / < 0,5 ms
Switching hysteresis		< 10 %
Ambient temperature		-25 ... +55 °C
Temperature drift		0,3 %/K
Ambient light immunity		> 10 kLx
Insulation voltage endurance		1.000 V
Protection class		IP 65
Casing material		plastics
Material		plastic (Window)
Connection		Connector, M8, 3-poled