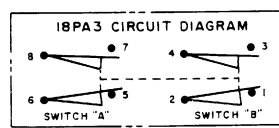
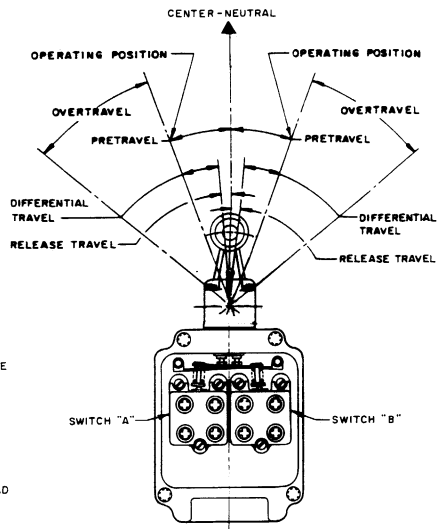
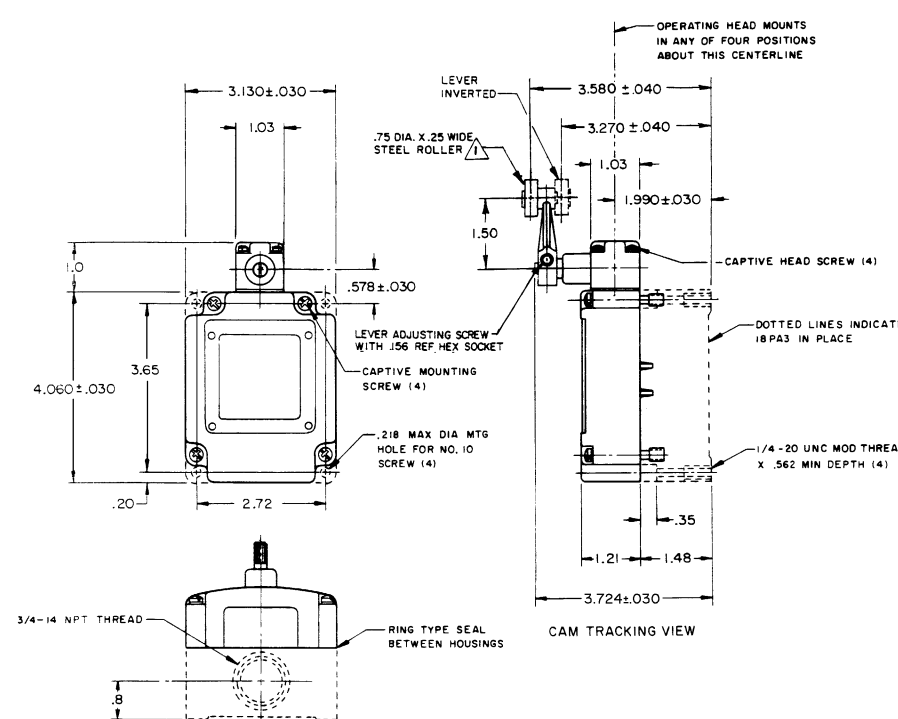


MICRO SWITCH
 301LS8
 DRAWING NUMBER
 PAGE 1 OF 1
 ISSUE 12
 REVISIONS
 A 01/28/83
 B 02/08/83
 C 02/21/83
 D 02/21/83
 E 02/21/83
 F 02/21/83
 G 02/21/83
 H 02/21/83
 I 02/21/83
 J 02/21/83
 K 02/21/83
 L 02/21/83
 M 02/21/83
 N 02/21/83
 O 02/21/83
 P 02/21/83
 Q 02/21/83
 R 02/21/83
 S 02/21/83
 T 02/21/83
 U 02/21/83
 V 02/21/83
 W 02/21/83
 X 02/21/83
 Y 02/21/83
 Z 02/21/83
 AA 02/21/83
 AB 02/21/83
 AC 02/21/83
 AD 02/21/83
 AE 02/21/83
 AF 02/21/83
 AG 02/21/83
 AH 02/21/83
 AI 02/21/83
 AJ 02/21/83
 AK 02/21/83
 AL 02/21/83
 AM 02/21/83
 AN 02/21/83
 AO 02/21/83
 AP 02/21/83
 AQ 02/21/83
 AR 02/21/83
 AS 02/21/83
 AT 02/21/83
 AU 02/21/83
 AV 02/21/83
 AW 02/21/83
 AX 02/21/83
 AY 02/21/83
 AZ 02/21/83
 BA 02/21/83
 BB 02/21/83
 BC 02/21/83
 BD 02/21/83
 BE 02/21/83
 BF 02/21/83
 BG 02/21/83
 BH 02/21/83
 BI 02/21/83
 BJ 02/21/83
 BK 02/21/83
 BL 02/21/83
 BM 02/21/83
 BN 02/21/83
 BO 02/21/83
 BP 02/21/83
 BQ 02/21/83
 BR 02/21/83
 BS 02/21/83
 BT 02/21/83
 BU 02/21/83
 BV 02/21/83
 BV 02/21/83
 BW 02/21/83
 BX 02/21/83
 BY 02/21/83
 BZ 02/21/83
 CA 02/21/83
 CB 02/21/83
 CC 02/21/83
 CD 02/21/83
 CE 02/21/83
 CF 02/21/83
 CG 02/21/83
 CH 02/21/83
 CI 02/21/83
 CJ 02/21/83
 CK 02/21/83
 CL 02/21/83
 CM 02/21/83
 CN 02/21/83
 CO 02/21/83
 CP 02/21/83
 CQ 02/21/83
 CR 02/21/83
 CS 02/21/83
 CT 02/21/83
 CU 02/21/83
 CV 02/21/83
 CW 02/21/83
 CX 02/21/83
 CY 02/21/83
 CZ 02/21/83
 DA 02/21/83
 DB 02/21/83
 DC 02/21/83
 DD 02/21/83
 DE 02/21/83
 DF 02/21/83
 DG 02/21/83
 DH 02/21/83
 DI 02/21/83
 DJ 02/21/83
 DK 02/21/83
 DL 02/21/83
 DM 02/21/83
 DN 02/21/83
 DO 02/21/83
 DP 02/21/83
 DQ 02/21/83
 DR 02/21/83
 DS 02/21/83
 DT 02/21/83
 DU 02/21/83
 DV 02/21/83
 DW 02/21/83
 DX 02/21/83
 DY 02/21/83
 DZ 02/21/83
 EA 02/21/83
 EB 02/21/83
 EC 02/21/83
 ED 02/21/83
 EE 02/21/83
 EF 02/21/83
 EG 02/21/83
 EH 02/21/83
 EI 02/21/83
 EJ 02/21/83
 EK 02/21/83
 EL 02/21/83
 EM 02/21/83
 EN 02/21/83
 EO 02/21/83
 EP 02/21/83
 EQ 02/21/83
 ER 02/21/83
 ES 02/21/83
 ET 02/21/83
 EU 02/21/83
 EV 02/21/83
 EW 02/21/83
 EX 02/21/83
 EY 02/21/83
 EZ 02/21/83
 FA 02/21/83
 FB 02/21/83
 FC 02/21/83
 FD 02/21/83
 FE 02/21/83
 FF 02/21/83
 FG 02/21/83
 FH 02/21/83
 FI 02/21/83
 FJ 02/21/83
 FK 02/21/83
 FL 02/21/83
 FM 02/21/83
 FN 02/21/83
 FO 02/21/83
 FP 02/21/83
 FQ 02/21/83
 FR 02/21/83
 FS 02/21/83
 FT 02/21/83
 FU 02/21/83
 FV 02/21/83
 FW 02/21/83
 FX 02/21/83
 FY 02/21/83
 FZ 02/21/83
 GA 02/21/83
 GB 02/21/83
 GC 02/21/83
 GD 02/21/83
 GE 02/21/83
 GF 02/21/83
 GG 02/21/83
 GH 02/21/83
 GI 02/21/83
 GJ 02/21/83
 GK 02/21/83
 GL 02/21/83
 GM 02/21/83
 GN 02/21/83
 GO 02/21/83
 GP 02/21/83
 GQ 02/21/83
 GR 02/21/83
 GS 02/21/83
 GT 02/21/83
 GU 02/21/83
 GV 02/21/83
 GW 02/21/83
 GX 02/21/83
 GY 02/21/83
 GZ 02/21/83
 HA 02/21/83
 HB 02/21/83
 HC 02/21/83
 HD 02/21/83
 HE 02/21/83
 HF 02/21/83
 HG 02/21/83
 HH 02/21/83
 HI 02/21/83
 HJ 02/21/83
 HK 02/21/83
 HL 02/21/83
 HM 02/21/83
 HN 02/21/83
 HO 02/21/83
 HP 02/21/83
 HQ 02/21/83
 HR 02/21/83
 HS 02/21/83
 HT 02/21/83
 HU 02/21/83
 HV 02/21/83
 HW 02/21/83
 HX 02/21/83
 HY 02/21/83
 HZ 02/21/83
 IA 02/21/83
 IB 02/21/83
 IC 02/21/83
 ID 02/21/83
 IE 02/21/83
 IF 02/21/83
 IG 02/21/83
 IH 02/21/83
 II 02/21/83
 IJ 02/21/83
 IK 02/21/83
 IL 02/21/83
 IM 02/21/83
 IN 02/21/83
 IO 02/21/83
 IP 02/21/83
 IQ 02/21/83
 IR 02/21/83
 IS 02/21/83
 IT 02/21/83
 IU 02/21/83
 IV 02/21/83
 IW 02/21/83
 IX 02/21/83
 IY 02/21/83
 IZ 02/21/83
 JA 02/21/83
 JB 02/21/83
 JC 02/21/83
 JD 02/21/83
 JE 02/21/83
 JF 02/21/83
 JG 02/21/83
 JH 02/21/83
 JI 02/21/83
 JJ 02/21/83
 JK 02/21/83
 JL 02/21/83
 JM 02/21/83
 JN 02/21/83
 JO 02/21/83
 JP 02/21/83
 JQ 02/21/83
 JR 02/21/83
 JS 02/21/83
 JT 02/21/83
 JU 02/21/83
 JV 02/21/83
 JW 02/21/83
 JX 02/21/83
 JY 02/21/83
 JZ 02/21/83
 KA 02/21/83
 KB 02/21/83
 KC 02/21/83
 KD 02/21/83
 KE 02/21/83
 KF 02/21/83
 KG 02/21/83
 KH 02/21/83
 KI 02/21/83
 KJ 02/21/83
 KK 02/21/83
 KL 02/21/83
 KM 02/21/83
 KN 02/21/83
 KO 02/21/83
 KP 02/21/83
 KQ 02/21/83
 KR 02/21/83
 KS 02/21/83
 KT 02/21/83
 KU 02/21/83
 KV 02/21/83
 KW 02/21/83
 KX 02/21/83
 KY 02/21/83
 KZ 02/21/83
 LA 02/21/83
 LB 02/21/83
 LC 02/21/83
 LD 02/21/83
 LE 02/21/83
 LF 02/21/83
 LG 02/21/83
 LH 02/21/83
 LI 02/21/83
 LJ 02/21/83
 LK 02/21/83
 LL 02/21/83
 LM 02/21/83
 LN 02/21/83
 LO 02/21/83
 LP 02/21/83
 LQ 02/21/83
 LR 02/21/83
 LS 02/21/83
 LT 02/21/83
 LU 02/21/83
 LV 02/21/83
 LW 02/21/83
 LX 02/21/83
 LY 02/21/83
 LZ 02/21/83
 MA 02/21/83
 MB 02/21/83
 MC 02/21/83
 MD 02/21/83
 ME 02/21/83
 MF 02/21/83
 MG 02/21/83
 MH 02/21/83
 MI 02/21/83
 MJ 02/21/83
 MK 02/21/83
 ML 02/21/83
 MM 02/21/83
 MN 02/21/83
 MO 02/21/83
 MP 02/21/83
 MQ 02/21/83
 MR 02/21/83
 MS 02/21/83
 MT 02/21/83
 MU 02/21/83
 MV 02/21/83
 MW 02/21/83
 MX 02/21/83
 MY 02/21/83
 MZ 02/21/83
 NA 02/21/83
 NB 02/21/83
 NC 02/21/83
 ND 02/21/83
 NE 02/21/83
 NF 02/21/83
 NG 02/21/83
 NH 02/21/83
 NI 02/21/83
 NJ 02/21/83
 NK 02/21/83
 NL 02/21/83
 NM 02/21/83
 NN 02/21/83
 NO 02/21/83
 NP 02/21/83
 NQ 02/21/83
 NR 02/21/83
 NS 02/21/83
 NT 02/21/83
 NU 02/21/83
 NV 02/21/83
 NW 02/21/83
 NX 02/21/83
 NY 02/21/83
 NZ 02/21/83
 OA 02/21/83
 OB 02/21/83
 OC 02/21/83
 OD 02/21/83
 OE 02/21/83
 OF 02/21/83
 OG 02/21/83
 OH 02/21/83
 OI 02/21/83
 OJ 02/21/83
 OK 02/21/83
 OL 02/21/83
 OM 02/21/83
 ON 02/21/83
 OO 02/21/83
 OP 02/21/83
 OQ 02/21/83
 OR 02/21/83
 OS 02/21/83
 OT 02/21/83
 OU 02/21/83
 OV 02/21/83
 OW 02/21/83
 OX 02/21/83
 OY 02/21/83
 OZ 02/21/83
 PA 02/21/83
 PB 02/21/83
 PC 02/21/83
 PD 02/21/83
 PE 02/21/83
 PF 02/21/83
 PG 02/21/83
 PH 02/21/83
 PI 02/21/83
 PJ 02/21/83
 PK 02/21/83
 PL 02/21/83
 PM 02/21/83
 PN 02/21/83
 PO 02/21/83
 PP 02/21/83
 PQ 02/21/83
 PR 02/21/83
 PS 02/21/83
 PT 02/21/83
 PU 02/21/83
 PV 02/21/83
 PW 02/21/83
 PX 02/21/83
 PY 02/21/83
 PZ 02/21/83
 QA 02/21/83
 QB 02/21/83
 QC 02/21/83
 QD 02/21/83
 QE 02/21/83
 QF 02/21/83
 QG 02/21/83
 QH 02/21/83
 QI 02/21/83
 QJ 02/21/83
 QK 02/21/83
 QL 02/21/83
 QM 02/21/83
 QN 02/21/83
 QO 02/21/83
 QP 02/21/83
 QQ 02/21/83
 QR 02/21/83
 QS 02/21/83
 QT 02/21/83
 QU 02/21/83
 QV 02/21/83
 QW 02/21/83
 QX 02/21/83
 QY 02/21/83
 QZ 02/21/83
 RA 02/21/83
 RB 02/21/83
 RC 02/21/83
 RD 02/21/83
 RE 02/21/83
 RF 02/21/83
 RG 02/21/83
 RH 02/21/83
 RI 02/21/83
 RJ 02/21/83
 RK 02/21/83
 RL 02/21/83
 RM 02/21/83
 RN 02/21/83
 RO 02/21/83
 RP 02/21/83
 RQ 02/21/83
 RR 02/21/83
 RS 02/21/83
 RT 02/21/83
 RU 02/21/83
 RV 02/21/83
 RW 02/21/83
 RX 02/21/83
 RY 02/21/83
 RZ 02/21/83
 SA 02/21/83
 SB 02/21/83
 SC 02/21/83
 SD 02/21/83
 SE 02/21/83
 SF 02/21/83
 SG 02/21/83
 SH 02/21/83
 SI 02/21/83
 SJ 02/21/83
 SK 02/21/83
 SL 02/21/83
 SM 02/21/83
 SN 02/21/83
 SO 02/21/83
 SP 02/21/83
 SQ 02/21/83
 SR 02/21/83
 SS 02/21/83
 ST 02/21/83
 SU 02/21/83
 SV 02/21/83
 SW 02/21/83
 SX 02/21/83
 SY 02/21/83
 SZ 02/21/83
 TA 02/21/83
 TB 02/21/83
 TC 02/21/83
 TD 02/21/83
 TE 02/21/83
 TF 02/21/83
 TG 02/21/83
 TH 02/21/83
 TI 02/21/83
 TJ 02/21/83
 TK 02/21/83
 TL 02/21/83
 TM 02/21/83
 TN 02/21/83
 TO 02/21/83
 TP 02/21/83
 TQ 02/21/83
 TR 02/21/83
 TS 02/21/83
 TT 02/21/83
 TU 02/21/83
 TV 02/21/83
 TW 02/21/83
 TX 02/21/83
 TY 02/21/83
 TZ 02/21/83
 UA 02/21/83
 UB 02/21/83
 UC 02/21/83
 UD 02/21/83
 UE 02/21/83
 UF 02/21/83
 UG 02/21/83
 UH 02/21/83
 UI 02/21/83
 UJ 02/21/83
 UK 02/21/83
 UL 02/21/83
 UM 02/21/83
 UN 02/21/83
 UO 02/21/83
 UP 02/21/83
 UQ 02/21/83
 UR 02/21/83
 US 02/21/83
 UT 02/21/83
 UY 02/21/83
 UZ 02/21/83
 VA 02/21/83
 VB 02/21/83
 VC 02/21/83
 VD 02/21/83
 VE 02/21/83
 VF 02/21/83
 VG 02/21/83
 VH 02/21/83
 VI 02/21/83
 VJ 02/21/83
 VK 02/21/83
 VL 02/21/83
 VM 02/21/83
 VN 02/21/83
 VO 02/21/83
 VP 02/21/83
 VQ 02/21/83
 VR 02/21/83
 VS 02/21/83
 VT 02/21/83
 VU 02/21/83
 VV 02/21/83
 VW 02/21/83
 VX 02/21/83
 VY 02/21/83
 VZ 02/21/83
 WA 02/21/83
 WB 02/21/83
 WC 02/21/83
 WD 02/21/83
 WE 02/21/83
 WF 02/21/83
 WG 02/21/83
 WH 02/21/83
 WI 02/21/83
 WJ 02/21/83
 WK 02/21/83
 WL 02/21/83
 WM 02/21/83
 WN 02/21/83
 WO 02/21/83
 WP 02/21/83
 WQ 02/21/83
 WR 02/21/83
 WS 02/21/83
 WT 02/21/83
 WU 02/21/83
 WV 02/21/83
 WW 02/21/83
 WX 02/21/83
 WY 02/21/83
 WZ 02/21/83
 XA 02/21/83
 XB 02/21/83
 XC 02/21/83
 XD 02/21/83
 XE 02/21/83
 XF 02/21/83
 XG 02/21/83
 XH 02/21/83
 XI 02/21/83
 XJ 02/21/83
 XK 02/21/83
 XL 02/21/83
 XM 02/21/83
 XN 02/21/83
 XO 02/21/83
 XP 02/21/83
 XQ 02/21/83
 XR 02/21/83
 XS 02/21/83
 XT 02/21/83
 XU 02/21/83
 XV 02/21/83
 XW 02/21/83
 XX 02/21/83
 XY 02/21/83
 XZ 02/21/83
 YA 02/21/83
 YB 02/21/83
 YC 02/21/83
 YD 02/21/83
 YE 02/21/83
 YF 02/21/83
 YG 02/21/83
 YH 02/21/83
 YI 02/21/83
 YJ 02/21/83
 YK 02/21/83
 YL 02/21/83
 YM 02/21/83
 YN 02/21/83
 YO 02/21/83
 YP 02/21/83
 YQ 02/21/83
 YR 02/21/83
 YS 02/21/83
 YT 02/21/83
 YU 02/21/83
 YV 02/21/83
 YW 02/21/83
 YX 02/21/83
 YY 02/21/83
 YZ 02/21/83
 ZA 02/21/83
 ZB 02/21/83
 ZC 02/21/83
 ZD 02/21/83
 ZE 02/21/83
 ZF 02/21/83
 ZG 02/21/83
 ZH 02/21/83
 ZI 02/21/83
 ZJ 02/21/83
 ZK 02/21/83
 ZL 02/21/83
 ZM 02/21/83
 ZN 02/21/83
 ZO 02/21/83
 ZP 02/21/83
 ZQ 02/21/83
 ZR 02/21/83
 ZS 02/21/83
 ZT 02/21/83
 ZU 02/21/83
 ZV 02/21/83
 ZW 02/21/83
 ZX 02/21/83
 ZY 02/21/83
 ZZ 02/21/83

MICRO SWITCH
 FREEPORT, ILLINOIS, U.S.A.
 A DIVISION OF HONEYWELL
 FED. MFG. CODE 91928

SWITCH - ENCLOSED

CATALOG LISTING
301LS8



THIS DRAWING COVERS A PROPRIETARY ITEM AND IS THE PROPERTY OF MICRO SWITCH, A DIVISION OF MINNEAPOLIS-HONEYWELL REGULATOR CO. THIS DRAWING IS NOT TO BE COPIED OR USED WITHOUT THE APPROVAL OF MICRO SWITCH.

| CHARACTERISTICS | ELECTRICAL DATA | SCALE 1/2 TO 1 |
|--|--|--------------------------|
| OPERATING TORQUE --- -75 IN-LB MAX | CONTACT ARRANGEMENT (SEE CIRCUIT DIAGRAM) | DO NOT SCALE PRINT |
| FULL OVERTRAVEL TORQUE --- 9.0 IN-LB MAX | | UNLESS OTHERWISE NOTED |
| RELEASE TORQUE --- -75 IN-LB MIN | 18A-120, 240, OR 480 VAC, 1/3 HP - 120 VAC | DIMENSIONS ARE IN INCHES |
| PRETRAVEL --- -15° MAX | 3/4 HP - 240 VAC, 0.6A - 115 VDC, 0.6A - 230 VDC | TOLERANCES ARE: |
| DIFFERENTIAL TRAVEL --- -10° MAX | 1A - 550 VDC | ONE PLACE (.001) ±.005 |
| OVERTRAVEL --- -30° MIN | PILOT DUTY: 600 VAC MAX | TWO PLACE (.001) ±.010 |
| RELEASE TRAVEL --- -5° MIN | | THREE PLACE (.000) ±.008 |
| SWITCH-BASIC REPLACEMENT --- 2MN6 (2) | | ANGLES ± |
| | | WEIGHT |

NOTES

1- ROLLER LEVER MAY BE LOCKED IN ANY POSITION THRU 360° WHEN HEAD MECHANISM IS POSITIONED IN OTHER THREE QUADRANTS, LEVER LOCATION IS RESTRICTED TO APPROX 180°

2- ROLLER LEVER WILL OPERATE BOTH SWITCHES IN EITHER DIRECTION FROM NEUTRAL

3- LEVER FURNISHED UNASSEMBLED IN UNIT PACKING BOX

4- BASIC SWITCHES DO NOT NECESSARILY OPERATE SIMULTANEOUSLY