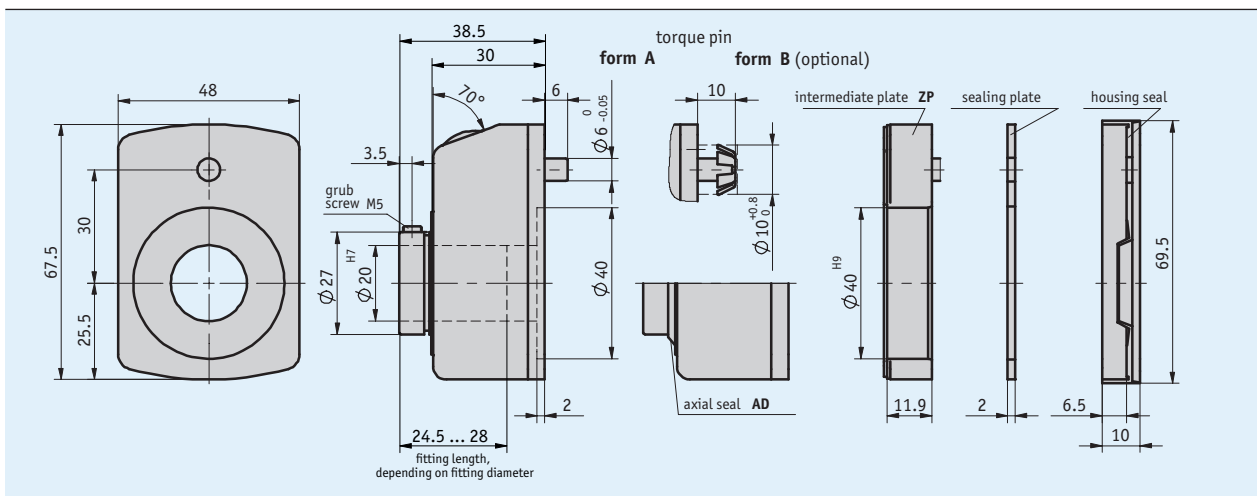


### Profile

- Most-used size in slim design
- Hollow shaft, max. Ø 20 mm
- Counter with 5 decades and fine reading
- Display can be designed for "mm" or "inch"
- Magnifying function for good readability
- Stainless-steel driving shaft as an option
- Axial seal, dustproof and splash-proof
- Clamping plate (see accessories)



### Mechanical data

Feature	Technical data	Additional information
Housing	reinforced plastic zinc die-cast	MCM housing
Sight window	plastic	mineral glass as an option
Counter	5 decades, fine reading	
Digit height	~7 mm	
Weight	0.1 kg	

### ■ Max. speed

Display (after 1st revolution)	max. speed [rpm]
00010	500 (1500)
00015	500 (1000)
00020	500 (750)
00025	500 (600)
00030	500
00040	375
00050	300
00060	250
00080	180
00100	150

#### Formula:

$$\text{max. speed} = \frac{15000}{\text{indication after 1st revolution}}$$

Speeds >500 rpm must only be run for short periods.

### Ambient conditions

Feature	Technical data	Additional information
Ambient temperature	0 ... 80 °C	

### Order

#### Ordering information

Display	Mounting position				Counting direction
	02	04	06	07	

Hint: Texts highlighted in orange color are ordering features

#### Ordering table

Feature	Ordering data	Specification	Additional information	
Mounting position	...	<b>A</b> 02, 04, 06, 07	see the icons illustrating the mounting positions	
Indication after 1st revolution	...	<b>B</b> 10, 12/5, 15, 15/75, 17/5, 20, 25, 30, 39/375, 40, 50, 60, 78/75, 80, 100	/5 = arithmetical value not displayed others on request	
Decimal place	0	<b>C</b>	0 = 00000	
	1		1 = 0000.0	
	2		2 = 000.00	
	3		3 = 00.000	
	4		4 = 0.0000	
Counting direction	i	<b>D</b>	clockwise ascending values	
	e		counter-clockwise ascending values	
Hollow shaft/diameter	20	<b>E</b>	ø20 mm	
	...		RH8, RH10, RH12, RH14, RH18	reducing bushes
	...		VA8, VA10, VA14, VA20	stainless steel
Housing	O	<b>F</b>	orange RAL 2004	plastic
	S		black RAL 9005	plastic
	GR		gray RAL 7035	plastic
	FR		red RAL 3000	plastic
	MCM		chromatized matt	metal
Seal	OAD	<b>G</b>	without axial seal	
	AD		with axial seal	
	GD		with axial and housing seal	sealing plate not applicable
Intermediate plate	OZP	<b>H</b>	without intermediate plate	
	ZP		with intermediate plate	not with seal "GD"

#### Order key

DA09S -   -   -   -   -   -   -   - **A** - **K** -   -   - **BP** - **ORP**

A
B
C
D
E
F
G
H

Scope of delivery: DA09S

#### Accessories:

Reduction sleeve RH

Clamping plate KP09

Clamping plate KPL09

Pneumatic clamping plate KP09P

[www.siko-global.com](http://www.siko-global.com)

[www.siko-global.com](http://www.siko-global.com)

[www.siko-global.com](http://www.siko-global.com)

[www.siko-global.com](http://www.siko-global.com)