



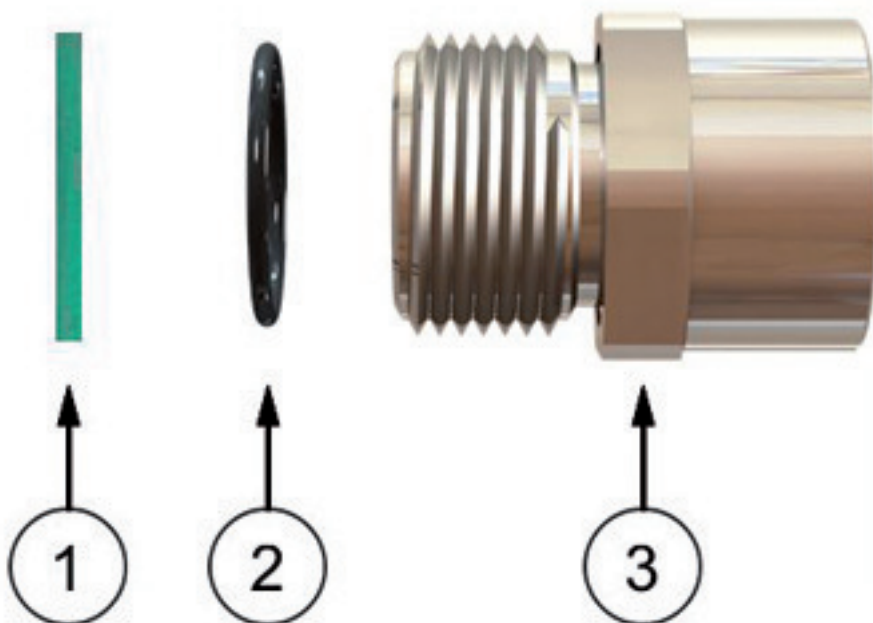
Adapter

AD.M32.NPT1.SS.C.15.K01

- Adapter male thread metric to female thread NPT
- Stainless Steel
- Thread M32
- Thread NPT 1"
- Seal chloroprene
- Ex db, Ex eb and Ex tb certified
- Suitable for operation in Zone 1, Zone 2, Zone 21 and Zone 22
- Packaging unit: 1 piece, kit with accessories



Dimensions



Release date: 2020-05-05 Date of issue: 2020-05-05 Filename: 400945_eng.pdf

Refer to "General Notes Relating to Pepperl+Fuchs Product Information".

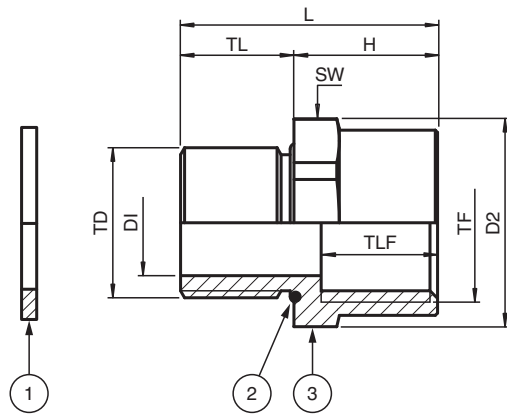
Pepperl+Fuchs Group
www.pepperl-fuchs.com

USA: +1 330 486 0002
pa-info@us.pepperl-fuchs.com

Germany: +49 621 776 2222
pa-info@de.pepperl-fuchs.com

Singapore: +65 6779 9091
pa-info@sg.pepperl-fuchs.com

 PEPPERL+FUCHS



Details see data table

| Legend | |
|--------|--|
| 1 | Washer gasket (accessory, metric threads only) |
| 2 | O-Ring (metric threads only) |
| 3 | Adapter |
| DI | Diameter internal hole |
| D2 | Width across corners |
| H | Length outside enclosure |
| L | Total length |
| SW* | Width across flats |
| TD | Thread size |
| TF | Thread size female |
| TL | Thread length |
| TLF | Thread length female |

Technical Data

Mechanical specifications

| | |
|------------------------------|-------------------------------|
| Thread type | metric ISO pitch 1.5 mm |
| Thread size (TD) | M32 |
| Thread type female | NPT ANSI ASME B1.20.1 |
| Thread size female (TF) | NPT 1" |
| Degree of protection | IP66 / IP68 |
| Material | |
| Finish | inherent color silver |
| Washer gasket | aramid fibers bonded with NBR |
| Adapter | stainless steel |
| O-Ring | chloroprene |
| Mass | |
| Individual component | approx. 52 g |
| Packing unit | approx. 68 g |
| Dimensions | |
| Width across corners (D2) | 39.5 mm |
| Diameter internal hole (DI) | 26 mm |
| Length outside enclosure (H) | 19 mm |
| Width across flats (SW1) | 36 mm |
| Thread length (TL) | 15 mm |
| Thread length female (TLF) | 15 mm |

Release date: 2020-05-05 Date of issue: 2020-05-05 Filename: 400945_eng.pdf

Refer to "General Notes Relating to Pepperl+Fuchs Product Information".

Technical Data

| | |
|--|--|
| Total length (L) | 34 mm |
| Tightening torque | |
| Nut torque at enclosure (SW1) | 9 Nm |
| Ambient conditions | |
| Ambient temperature | -40 ... 100 °C (-40 ... 212 °F) washer gasket -40 ... 80 °C (-40 ... 176 °F) |
| Data for application in connection with hazardous areas | |
| EU-type examination certificate | CESI 15 ATEX 029 X |
| Marking | ⊕ II 2 GD Ex db IIC Gb Ex eb IIC Gb Ex tb IIC Db |
| International approvals | |
| IECEx approval | IECEx CES 15.0006X |
| EAC approval | TC RU C-TR.GB05.B.00918 |
| CCoE approval | PESO A/P/HQ/KA/104/5579 (P420366) |
| Conformity | |
| Degree of protection | EN 60529 |
| General information | |
| Delivery quantity | 1 |
| Scope of delivery | Adapter locknut washer gasket brief instructions |
| Supplementary information | EC-Type Examination Certificate, Statement of Conformity, Declaration of Conformity, Attestation of Conformity and instructions have to be observed where applicable. For information see www.pepperl-fuchs.com . |