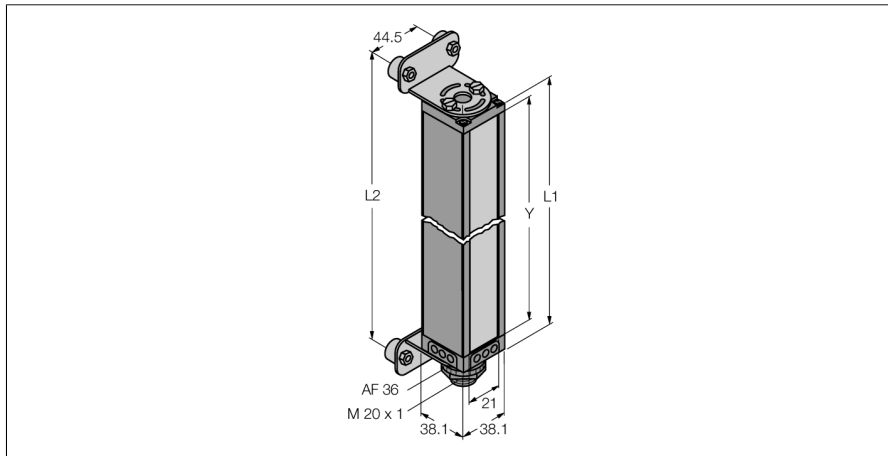


measuring light screen
emitter
BMEL1816A



- Minimum target size 19 mm
- Scan field 448 mm
- max. sensing range 17 m
- Operating voltage 11.8...12.2 VDC (from controller)
- Protection class IP65
- adjustment via software

Functional principle

Measuring light screens are ideally suited for precise detection and inspection tasks such as product profiling, sizing, edge and centre guiding, hole and parts detection and the like. Each system consists of an emitter, receiver and a controller module, which is equipped with several switching and analogue outputs, depending on the specific version. The device also enables data transmission via RS232 or R485, either in a binary or ASCII code format. The scan times depend on the height of the measuring array and the adjusted scan mode. Detailed information can be taken from the instruction manual.

Type designation	BMEL1816A
Ident no.	3039574
Operating mode	Light screen
Light type	IR
Wavelength	880 nm
Optical resolution	19 mm
Range	900...17000 mm
Scan field	448 mm
Ambient temperature	-20...+70 °C
Operating voltage	11.4...14 VDC
Approvals	CE
Approvals	UL Recognized
Approvals	CE
Design	Rectangular, Mini Array
Dimensions	38.1 mm x 38.1 mm x 505 mm
Housing material	Metal, AL
Lens	plastic, acrylic
Electrical connection	Connectors, 7/8"
Protection class	IP65