

1/16 - 1/8 - 1/4 DIN PROCESS CONTROLLERS CONCISE PRODUCT MANUAL (59300-11)

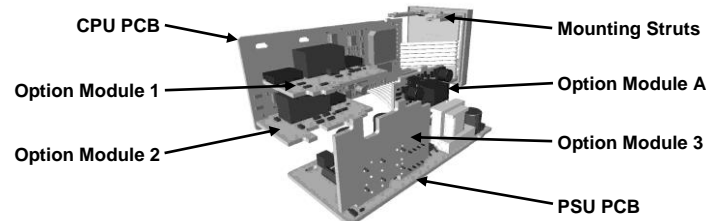


CAUTION: Installation should be only performed by technically competent personnel. It is the responsibility of the installing engineer to ensure that the configuration is safe. Local regulations regarding electrical installation & safety must be observed - e.g. US National Electrical Code (NEC) and/or Canadian Electrical Code. Impairment of protection will occur if the product is used in a manner not specified by the manufacturer.

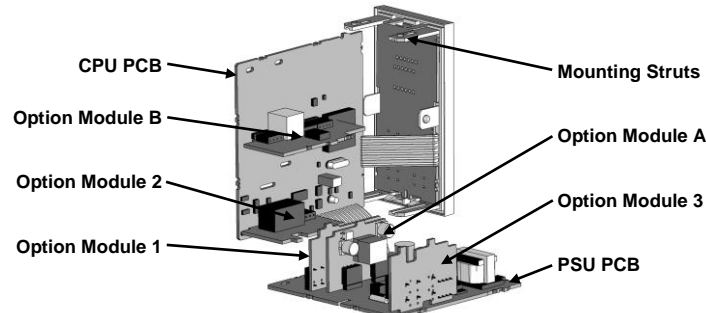
1. INSTALLATION

Some installation details vary between the three model sizes covered by this manual (refer to section 10). These differences have been clearly shown.

Installing Option Modules: 1/16 Din Size Instruments



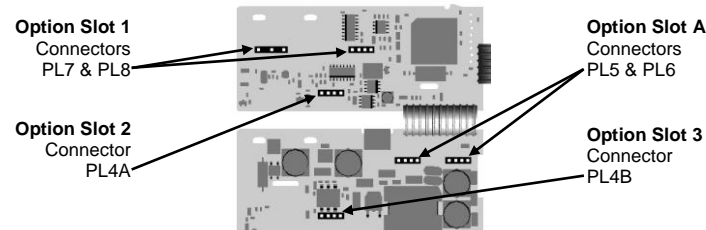
Installing Option Modules: 1/8 & 1/4 Din Size Instruments



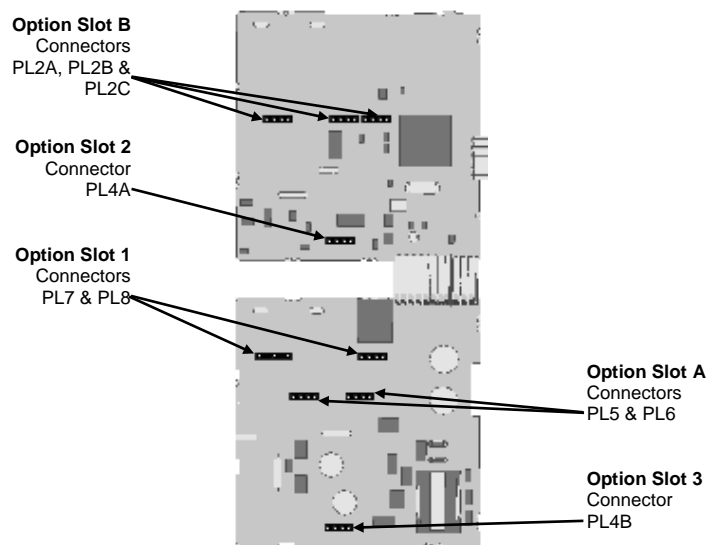
- To access modules 1, A or B, first detach the PSU and CPU boards from the front by lifting first the upper, and then lower mounting struts. Gently separate the boards.
- Plug the required option modules into the correct connectors, as shown below.
 - Locate the module tongues in the corresponding slot on the opposite board.
 - Hold the main boards together while relocating back on the mounting struts.
 - Replace the instrument by aligning the CPU and PSU boards with their guides in the housing, then slowly push the instrument back into position.

Note: Option modules are automatically detected at power up.

Option Module Connectors: 1/16 Din Size Instruments



Option Module Connectors: 1/8 & 1/4 Din Size Instruments



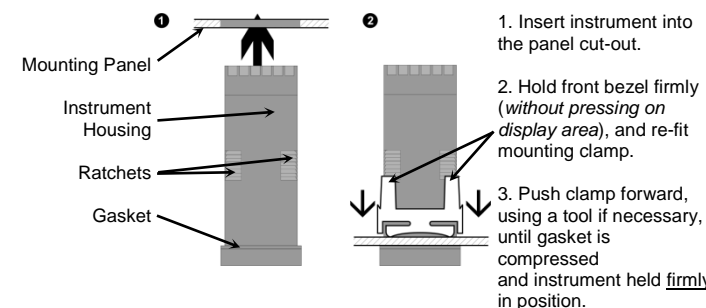
Panel-Mounting

The mounting panel must be rigid, and may be up to 6.0mm (0.25inch) thick. Cut-out sizes are:

Cut-Out Dim A
1/16 & 1/8 Din = 45mm
1/4 Din = 92mm

Cut-Out Dim B
1/16 Din = 45mm
1/8 & 1/4 Din = 92mm

For *n* multiple instruments mounted side-by-side, cut-out A is 48*n*-4mm (1/16 & 1/8 Din) or 96*n*-4mm (1/4 Din)



CAUTION: For an effective IP66 & NEMA 4X seal against dust and moisture, ensure gasket is well compressed against the panel, with the 4 tongues located in the same ratchet slot.

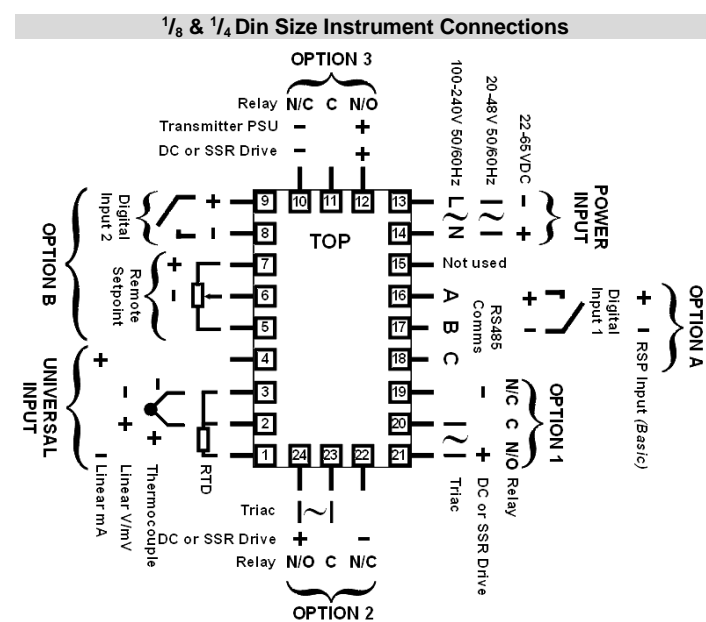
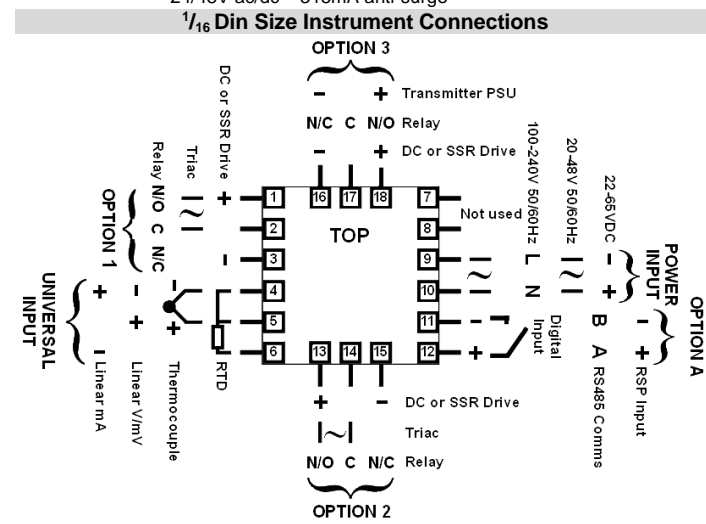
Rear Terminal Wiring

USE COPPER CONDUCTORS (EXCEPT FOR T/C INPUT). CABLE RATING 80°C MIN Single Strand wire gauge: Max 1.2mm (18SWG)

The diagrams below show all possible option combinations. The actual connections required depends on the exact model and options fitted.



CAUTION: Check information label on housing for correct operating voltage before connecting supply to Power Input Fuse: 100 – 240V ac – 1Amp anti-surge 24/48V ac/dc – 315mA anti-surge



Note: At first power-up the message Go to Conf is displayed, as described in section 7 of this manual. Access to other menus is denied until configuration mode is completed

2. SELECT MODE – SLCT

Select mode is used to access the configuration and operation menu functions. It can be accessed at any time by holding down **[P]** and pressing **[Δ]**. In select mode, press **[Δ]** or **[∇]** to choose the required mode, press **[P]** to enter. An unlock code is required to prevent unauthorised entry to Configuration, & Setup modes. Press **[Δ]** or **[∇]** to enter the unlock code, then press **[P]** to proceed.

Mode	Upper Display	Lower Display	Description	Default Unlock Codes
Operator	OPtr	SLct	Normal operation	None
Set Up	SEtP	SLct	Tailor settings to the application	10
Configuration	COnf	SLct	Configure the instrument for use	20
Product Info	inFo	SLct	Check manufacturing information	None
Auto-Tuning	AutoTun	SLct	Invoke Pre-Tune or Self-Tune	0

Note: The instrument will always return automatically to Operator mode if there is no key activity for 2 minutes.

3. CONFIGURATION MODE – ConF

First select Configuration mode from Select mode (refer to section 2). Press **[P]** to scroll through the parameters, then press **[Δ]** or **[∇]** to set the required value. Press **[P]** to accept the change, otherwise parameter will revert to previous value. To exit from Configuration mode, hold down **[P]** and press **[Δ]**, to return to Select mode.

Note: Parameters displayed depends on how instrument has been configured. Refer to user guide (available from your supplier) for further details. Parameters marked * are repeated in Setup Mode.

Parameter	Lower Display	Upper Display	Adjustment range & Description	Default Value	
Input Range/Type	inPt		See following table for possible codes	JL	
Code	Input Type & Range	Code	Input Type & Range	Code	Input Type & Range
bC	B: 100 - 1824 °C	LC	L: 0.0 - 537.7 °C	P24F	PtRh20% vs 40%: 32 - 3362 °F
bF	B: 211 - 3315 °F	LF	L: 32.0 - 999.9 °F	PtC	Pt100: -199 - 800 °C
C	C: 0 - 2320 °C	NC	N: 0 - 1399 °C	PtF	Pt100: -328 - 1472 °F
C	C: 32 - 4208 °F	NF	N: 32 - 2551 °F	PtF	Pt100: -199.9 - 999.9 °F
J	J: -200 - 1200 °C	rC	R: 0 - 1759 °C	PtL	Pt100: -128.8 - 537.7 °C
J	J: -328 - 2192 °F	rF	R: 32 - 3198 °F	PtF	Pt100: -199.9 - 999.9 °F
J	J: -128.8 - 537.7 °C	SC	S: 0 - 1762 °C	0.20	0 - 20 mA DC
J	J: -199.9 - 999.9 °F	SF	S: 32 - 3204 °F	4.20	4 - 20 mA DC
K	K: -240 - 1373 °C	TC	T: -240 - 400 °C	0.50	0 - 50 mV DC
K	K: -400 - 2503 °F	TF	T: -400 - 752 °F	10.50	10 - 50 mV DC
K	K: -128.8 - 537.7 °C	TC	T: -128.8 - 400.0 °C	0.5	0 - 5 V DC
K	K: -199.9 - 999.9 °F	TF	T: -199.9 - 752.0 °F	1.5	1 - 5 V DC
L	L: 0 - 762 °C	P24C	PtRh20% vs. 40%: 0 - 1850 °C	0.10	0 - 10 V DC
L	L: 32 - 1403 °F	P24F	PtRh20% vs. 40%: 32 - 2551 °F	2.10	2 - 10 V DC

Note: Decimal point shown in table indicates temperature resolution of 0.1°

Parameter	Lower Display	Upper Display	Adjustment range & Description	Default Value
Scale Range Upper Limit	ruL		Scale Range Lower Limit +100 to Range Maximum	Range max (Lin=1000)
Scale Range Lower Limit	rlL		Range Minimum to Scale Range Upper Limit -100	Range min (Linear=0)
Decimal point position	dPoS		0=XXXX, 1=XXX.X, 2=XX.XX, 3=X.XXX (non-temperature ranges only)	1
Control Type	CtYP	SnGL	Primary only	SnGL
Primary Output Control Action	CtrL	duAL	Primary & Secondary (e.g. heat & cool)	SnGL
		d ir	Reverse Acting	rEu
		P_H i	Direct Acting	rEu
Alarm 1Type	ALA i		Process High Alarm	P_H i
		P_Lo	Process Low Alarm	
		dE	Deviation Alarm	
		band	Band Alarm	
		nonE	No alarm	
High Alarm 1 value*	PhA i		Range Minimum to Range Maximum in display units	Range Max
Low Alarm 1 value*	PLA i			Range Min
Band Alarm 1 value*	BA i		1 LSD to span from setpoint in display units	5
Dev. Alarm 1 value*	dAL i		+/- Span from setpoint in display units	5
Alarm 1 Hysteresis*	AHY i		1 LSD to full span in display units	1
Alarm 2 Type*	ALA 2			P_Lo
High Alarm 2 value*	PhA 2			Range Max
Low Alarm 2 value*	PLA 2		Same options as Alarm 1	Range Min
Band Alarm 2 value*	BA 2			5

Parameter	Lower Display	Upper Display	Adjustment range & Description	Default Value
Dev. Alarm 2 Value*	dAL 2		Same options as Alarm 1	5
Alarm 2 Hysteresis*	AHY 2			1
Loop Alarm	LAEn		d iSA (disabled) or EnALb (enabled)	d iSA
Loop Alarm Time*	LAte		1 sec to 99 mins. 59secs	99.59
Alarm Inhibit	Inh i		nonE No alarms Inhibited	nonE
		ALA i	Alarm 1 inhibited	
		ALA 2	Alarm 2 inhibited	
		both	Alarm 1 and alarm 2 inhibited	
		Pr i	Primary Power	
		SEc	Secondary Power	
		Al_d	Alarm 1, Direct	
		Al_r	Alarm 1, Reverse	
		A2_d	Alarm 2, Direct	
		A2_r	Alarm 2, Reverse	
		LP_d	Loop Alarm, Direct	
		LP_r	Loop Alarm, Reverse	
		Or_d	Logical Alarm 1 OR 2, Direct	
		Or_r	Logical Alarm 1 OR 2, Reverse	
		Ad_d	Logical Alarm 1 AND 2, Direct	
		Ad_r	Logical Alarm 1 AND 2, Reverse	
		reE5	Retransmit SP Output	
		reEV	Retransmit PV Output	
		0.5	0 to 5 V DC output	
		0_10	0 to 10 V DC output	
		2_10	2 to 10 V DC output	
		0_20	0 to 20 mA DC output	
		4_20	4 to 20 mA DC output	
Retransmit Output 1 Scale maximum	ro iH		-1999 to 9999 (display value at which output will be maximum)	Range max
Retransmit Output 1 Scale minimum	ro iL		-1999 to 9999 (display value at which output will be minimum)	Range min
Output 2 Usage	USE2		Same options as Output 1	Sec or Al2
Linear Output 2 Range	LYP2		Same options as Output 1	0_10
Retransmit Output 2 Scale maximum	ro2H		-1999 to 9999 (display value at which output will be maximum)	Range max
Retransmit Output 2 Scale minimum	ro2L		-1999 to 9999 (display value at which output will be minimum)	Range min
Output 3 Usage	USE3		Same options as Output 1	Al_d
Linear Output 3 Range	LYP3		Same options as Output 1	0_10
Retransmit Output 3 Scale maximum	ro3H		-1999 to 9999 (display value at which output will be maximum)	Range max
Retransmit Output 3 Scale minimum	ro3L		-1999 to 9999 (display value at which output will be minimum)	Range min
Display Strategy	d iSP		1, 2, 3, 4, 5 or 6 (refer to section 8)	1
Serial Communications Protocol	Prot		ASC i ASCII	Prot
		Parbn	Modbus with no parity	
		ParbE	Modbus with Even Parity	
		Parbo	Modbus with Odd Parity	
Serial Communications Bit Rate	BAud		1.2 1.2 kbps	4.8
		2.4	2.4 kbps	
		4.8	4.8 kbps	
		9.6	9.6 kbps	
		19.2	19.2 kbps	
Comms Address	Addr		1 to 255 (Modbus), 1 to 99 (ASCII)	1
Comms Write	CoEr		r_wl Read/Write	r_wl
		r_D	Read only	
Digital Input 1 Usage	d iG i		d iS i Setpoint 1 / Setpoint 2 select*	d iS i
		d iAS	Automatic / Manual select	
Digital Input 2 Usage	d iG 2		d iS i Setpoint 1 / Setpoint 2 select*	d iR5
		d iAS	Automatic / Manual select	
		d iR5	Remote / Local setpoint select	

Note: d iG 2 has priority over d iG i if both are configured for the same usage. If d iG i or d iG 2 = d iS i the remote setpoint input is disabled.

Continued on next page...

Parameter	Lower Display	Upper Display	Adjustment range & Description	Default Value
Remote Setpoint Input Range	r_{inP}	0_20	0 to 20 mA DC input	0_10
		4_20	4 to 20 mA DC input	
		0_10	0 to 10 V DC input	
		2_10	2 to 10 V DC input	
		0_5	0 to 5 V DC input	
		1_5	1 to 5 V DC input	
		100	0 to 100mV DC input <i>Available on full RSP (Slot B) only</i>	
RSP Upper Limit	r_{SPu}		Potentiometer (2KΩ minimum)	Range max
RSP Lower Limit	r_{SPl}		(2KΩ minimum)	Range min
RSP Offset	r_{SPo}		-1999 to 9999	0
Configuration Lock Code	CLoc		Constrained within Scale Range Upper & Scale Range Lower limits	20

4. SETUP MODE - **SEtP**

Note: Configuration must be completed before adjusting Setup parameters. First select Setup mode from Select mode (refer to section 2). The MAN LED will light solid while in Setup mode. Press to scroll through the parameters, then press to set the required value. To exit from Setup mode, hold down and press to return to Select mode.

Note: Parameters displayed depends on how instrument has been configured.

Parameter	Lower Display	Upper Display	Adjustment Range & Description	Default Value
Input Filter Time Constant	F_{ILT}		OFF or 0.5 to 100.0 secs	2.0
Process Variable Offset	OFFS		±Span of controller	0
Primary Power	PP_{LV}		Current % power levels (read only)	N/A
Secondary Power	SP_{LV}			
Primary Proportional Band	Pb_P		0.0% (ON/OFF) and 0.5% to 999.9% of input span	10.0
Secondary Proportional Band	Pb_S			
Automatic Reset (Integral Time)	Rr_{SE}		1 sec to 99 mins 59 secs and OFF (blank)	5.00
Rate (Derivative Time)	r_{ATE}		00 secs (OFF) to 99 mins 59 secs	1.15
Overlap/Deadband	OL		-20 to +20% of Primary and Secondary Proportional Band	0
Manual Reset (Bias)	b_{AS}		0%(-100% if dual control) to 100%	25
Primary ON/OFF Differential	d_{IFP}		0.1% to 10.0% of input span centered about the setpoint.	0.5
Secondary ON/OFF Diff.	d_{IFS}		(Entered as a percentage of span)	
Prim. & Sec. ON/OFF Differential	d_{IFF}			
Setpoint Upper Limit	SP_{UL}		Current Setpoint to Range max	R/max
Setpoint Lower limit	SPLL		Range min to Current Setpoint	R/min
Primary Output Power Limit	OP_{UL}		0% to 100% of full power	100
Output 1 Cycle Time	CT₁		0.5, 1, 2, 4, 8, 16, 32, 64, 128, 256 or 512 secs.	32
Output 2 Cycle Time	CT₂			
Output 3 Cycle Time	CT₃			
High Alarm 1 value	Ph_{A1}		Range Minimum to Range Maximum	R/max
Low Alarm 1 value	PL_{A1}			R/min
Deviation Alarm 1 Value	d_{AL1}		±Span from SP in display units	5
Band Alarm 1 value	b_{AL1}		1 LSD to span from setpoint	5
Alarm 1 Hysteresis	h_{Y1}		1 LSD to full span in display units	1
High Alarm 2 value	Ph_{A2}		Range Minimum to Range Maximum	R/max
Low Alarm 2 value	PL_{A2}			R/min
Deviation Alarm 2 Value	d_{AL2}		±Span from SP in display units	5
Band Alarm 2 value	b_{AL2}		1 LSD to span from setpoint	5
Alarm 2 Hysteresis	h_{Y2}		1 LSD to full span in display units	1
Loop Alarm Time	L_{AT}		1 LSD to full span in display units	99.99
Auto Pre-tune	r_{PT}			
Auto/manual Control selection	r_{AE}			
Setpoint Select shown in Operator Mode	r_{SE}			
Setpoint ramp adjustment shown in Operator Mode	r_{SP}			
SP Ramp Rate Value	r_{SP}		1 to 9999 units/hour or Off (blank)	Off
Setpoint Value	SP		Scale range upper to lower limits. (when dual or remote setpoint options are used, SP is replaced by SP₁ & SP₂ or LSP or before the legend indicates the currently active SP)	Scale Range Minimum
Local Setpoint Value	LSP			
Setpoint 1 Value	SP₁			
Setpoint 2 Value	SP₂			
Setup Lock Code	SLoc			

5. AUTOMATIC TUNING MODE - **Auto**

First select Automatic tuning mode from Select mode (refer to section 2). Press to scroll through the modes, then press to set the required value. To exit from Automatic tuning mode, hold down and press to return to Select mode. Pre-tune is a single-shot routine and is thus self-disengaging when complete. If **r_{PT}** in Setup mode = **En_{Ab}**, Pre-tune will attempt to run at every power up*. Refer to the full user guide (available from your supplier) for details on controller tuning. Pre-tune LED flashes and Self-tune LED is solid.

Parameter	Lower Display	Upper Display	Description	Default Value
Pre-Tune	P_{tun}		On or OFF. Indication remains OFF if automatic tuning cannot be used at this time*	OFF
Self-Tune	S_{tun}			
Tune Lock	t_{Loc}		0 to 9999	0

* **Note: Automatic tuning will not engage if either proportional band = 0.**

Also, Pre-tune will not engage if setpoint is ramping, or the PV is less than 5% of input span from the setpoint.

6. PRODUCT INFORMATION MODE - **info**

First select Product information mode from Select mode (refer to section 2). Press to view each parameter. To exit from Product Information mode, hold down and press to return to Select mode.

Note: These parameters are all read only.

Parameter	Lower Display	Upper Display	Description
Input type	in₁	un₁	Universal input
Option 1 module type fitted	Op_{n1}	nonE	No option fitted
		rLY	Relay output
		SSr	SSR drive output
		t_r	Triac output
Option 2 module type fitted	Op_{n2}	L_{in}	Linear DC voltage / current output
			Same as Option 1
		nonE	No option fitted
Option 3 module type fitted	Op_{n3}	rLY	Relay output
		SSr	SSR drive output
		L_{in}	Linear DC voltage / current output
		dc24	Transmitter power supply
Auxiliary Option A module type fitted	Op_{nA}	nonE	No option fitted
		r485	RS485 communications
		d_{IG1}	Digital Input*
		rSP₁	Remote Setpoint Input (basic)*
Auxiliary Option B module type fitted	Op_{nB}	nonE	No option fitted
		rSP₁	Remote Setpoint Input (full) and Digital Input 2*
Firmware type	FLUJ		Value displayed is firmware type number
Firmware issue	ISS		Value displayed is firmware issue number
Product Revision Level	PrL		Value displayed is Product Revision level
Date of manufacture	d_{0r}		Manufacturing date code (mmyy)
Serial number 1	S_{n1}		First four digits of serial number
Serial number 2	S_{n2}		Middle four digits of serial number
Serial number 3	S_{n3}		Last four digits of serial number

7. MESSAGES & ERROR INDICATIONS

These messages indicate that an error has occurred or there is a problem with the process variable signal or its wiring.

Caution: Do not continue with the process until the issue is resolved.

Parameter	Upper Display	Lower Display	Description
Instrument parameters are in default conditions	Info	Conf	Configuration & Setup required. This screen is seen at first turn on, or if hardware configuration has been changed. Press to enter the Configuration Mode, next press to enter the unlock code number, then press to proceed
Input Over Range	[HH]	Normal	Process variable input > 5% over-range, or wrong sensor type.
Input Under Range	[LL]	Normal	Process variable input > 5% under-range, or wrong sensor type.
Input Sensor Break	OPEN	Normal	Break detected in process variable input sensor, wiring, or wrong sensor type. The SP goes to 0.
RSP Over Range	Normal	[HH]**	RSP input over-range
RSP Under Range	Normal	[LL]**	RSP input under-range
RSP Break	Normal	OPEN**	Break detected in RSP input signal
Option 1 Error		Op_{n1}	Option 1 module fault
Option 2 Error		Op_{n2}	Option 2 module fault
Option 3 Error		Op_{n3}	Option 3 module fault
Option A Error		Op_{nA}	Option A module fault or RSP in both A & B
Option B Error		Op_{nB}	Option B module fault

8. OPERATOR MODE - **OPtr**

This mode is entered at power on, or accessed from Select mode (see section 2).

Note: All Configuration mode and Setup mode parameters must be set as required before starting normal operations.

Press to scroll through the parameters, then press to set the required value.

Note: All Operator Mode parameters in Display strategy 6 are read only (see d_{IS1} in configuration mode), they can only be adjusted via Setup mode.

Upper Display	Lower Display	Display Strategy and When Visible	Description
PV Value	Active SP Value	1 & 2 (initial screen)	PV and target value of selected SP Local Setpoints are adjustable in Strategy 2
PV Value	Actual SP Value	3 & 6 (initial screen)	PV and actual value of selected SP (e.g. ramping SP value). <i>Read only</i>
PV Value	(Blank)	4 (initial screen)	Process variable only <i>Read only</i>
Active SP Value	(Blank)	5 (initial screen)	Target value of selected setpoint only. <i>Read only</i>
SP Value	SP	1, 3, 4, 5 & 6 if digital input is not d _{IS1} and RSP not fitted	Target value of SP Adjustable except in Strategy 6
SP1 Value	SP₁	Digital input = d _{IS1} lit if active SP = SP1	Target value of SP1 Adjustable except in Strategy 6
SP2 Value	SP₂	Digital input = d _{IS1} lit if active SP = SP2	Target value of SP2 Adjustable except in Strategy 6
Local SP Value	LSP	RSP fitted. lit if the active SP = LSP	Target value of local setpoint Adjustable except in Strategy 6
Remote SP Value	rSP	RSP fitted. lit if the active SP = rSP	Target value of remote setpoint <i>Read only</i>
d _{IG1} , LSP or rSP	SPS	RSP is fitted, digital input is not d _{IS1} and SSEn is enabled in Setup mode	Selects local/remote active setpoint LSP = local SP, rSP = remote SP d _{IG1} = selection via digital input (if configured). <i>Note: selecting LSP or rSP will override digital input, active SP indication changes to </i> Adjustable except in Strategy 6
Actual SP Value	SP_{rP}	rP is not blank	Actual (ramping) value of selected SP. <i>Read only</i>
Ramp Rate	rP	SP_r enabled in Setup mode	SP ramping rate, in units per hour Adjustable except in Strategy 6
Active Alarm Status	ALSt	When one or more alarms are active. ALM indicator will also flash	Alarm 2 active Alarm 1 active Loop Alarm active

Manual Control

If **r_{AE}** is set to **En_{Ab}** in Setup mode, manual control can be selected/de-selected by pressing the key in Operator mode, or by changing the status of a digital input if d_{IG1} or d_{IG2} have been configured for d_{AS} in Configuration mode.

While in Manual Control mode, the indicator will flash and the lower display will show **P_{xxx}** (where xxx is the current manual power level). Switching to/from manual mode is via Bumpless Transfer. Press to set the required output power.

Caution: Manual power level is not restricted by the OP_{UL} power limit.

9. SERIAL COMMUNICATIONS

Refer to the full user guide (available from your supplier) for details.

Note: you cannot connect to the configuration port & RS485 at the same time

10. SPECIFICATIONS

UNIVERSAL INPUT

Thermocouple Calibration:	±0.1% of full range, ±1LSD (±1°C for Thermocouple CJC). BS4937, NBS125 & IEC584.
PT100 Calibration:	±0.1% of full range, ±1LSD. BS1904 & DIN43760 (0.00385Ω/°C).
DC Calibration:	±0.1% of full range, ±1LSD.
Sampling Rate:	4 per second.
Impedance:	>10MΩ resistive, except DC mA (5Ω) and V (47kΩ).
Sensor Break Detection:	Thermocouple, RTD, 4 to 20 mA, 2 to 10V and 1 to 5V ranges only. <i>Control outputs turn off.</i>
Isolation:	Isolated from all outputs (except SSR driver). Universal input must not be connected to operator accessible circuits if relay outputs are connected to a hazardous voltage source. Supplementary insulation or input grounding would then be required.

REMOTE SETPOINT INPUT (100 device load)

Accuracy:	±0.25% of input range ±1 LSD.
Sampling Rate:	4 per second.
Sensor Break Detection:	4 to 20 mA, 2 to 10V and 1 to 5V ranges only. <i>Control outputs turn off if RSP is the active SP.</i>
Isolation:	Slot A - Basic isolation, Slot B - Reinforced safety isolation from other inputs and outputs.

DIGITAL INPUTS

Volt-free(or TTL): Open(2 to 24VDC) = SP1, Local SP or Auto Mode, Closed(<0.8VDC) = SP2, Remote SP or Manual Mode.

Isolation: Reinforced safety isolation from inputs and other outputs.

OUTPUTS

Relay

Contact Type & Rating: Single pole double throw (SPDT); 2A resistive at 120/240VAC.

Lifetime: >500,000 operations at rated voltage/current.

Isolation: Basic isolation from universal input and SSR outputs.

SSR Driver

Drive Capability: SSR drive voltage >10V into 500Ω min. (~20mA)

Isolation: Not isolated from universal input or other SSR driver outputs.

Triac

Operating Voltage: 20 to 280Vrms (47 to 63Hz).

Current Rating: 0.01 to 1A (full cycle rms on-state @ 25°C); derates linearly above 40°C to 0.5A @ 80°C.

Isolation: Reinforced safety isolation from inputs and other outputs.

DC

Types / Ranges: 0 to 20mA, 4 to 20mA, 0 to 5V, 0 to 10V or 2 to 10V

Load Resistance: Current Output 500Ω max, Voltage Output 500Ω min.

Resolution: 8 bits in 250ms (10 bits in 1s typical, >10 bits in >1s typical).

Isolation: Reinforced safety isolation from inputs and other outputs.

Transmitter PSU

Power Rating: 20 to 28V DC (24V nominal) into 910Ω minimum resistance.

Isolation: Reinforced safety isolation from inputs and other outputs.

SERIAL COMMUNICATIONS

Physical: RS485, at 1200, 2400, 4800, 9600 or 19200 bps.

Protocols: Selectable between Modbus and West ASCII.

Isolation: Reinforced safety isolation from all inputs and outputs.

You cannot connect both configuration port & RS485 port at the same time.

OPERATING CONDITIONS (FOR INDOOR USE)

Ambient Temperature: 0°C to 55°C (Operating), -20°C to 80°C (Storage).

Relative Humidity: 20% to 95% non-condensing.

Altitude: <2000m

Supply Voltage and Power: 100 to 240VAC ±10%, 50/60Hz, 7.5VA (for mains powered versions), or 20 to 48VDC 50/60Hz 7.5VA or 22 to 65VDC 5W (for low voltage versions).

ENVIRONMENTAL

Standards: CE, UL, cUL & CSA

EMI: Complies with EN61326-1:2013.

Safety Considerations: Complies with UL61010-1 Edition 3, EN61010-1 Version 2010 & CSA 22.2 No 1010.192.

Pollution Degree 2, Installation Category II.

Panel Sealing: Front to IP66 & NEMA 4X when correctly mounted

– Refer to section 1

PHYSICAL

Front Bezel Size: 1/16 Din = 48 x 48mm, 1/8 Din = 96 x 48mm,

1/4 Din = 96 x 96mm.

Depth Behind Panel: 1/16 Din = 110mm, 1/8 & 1/4 Din = 100mm.

Weight: 0.21kg maximum.

SUPPLEMENTARY INFORMATION FOR CSA

-Compliance shall not be impaired when fitted to the final installation.

-Designed to offer a minimum of Basic Insulation only.

-The body responsible for the installation is to ensure that supplementary insulation suitable for Installation Category II is achieved when fully installed.

-To avoid possible hazards, accessible conductive parts of the final installation should be protectively earthed in accordance with EN61010 for Class 1 Equipment.

-Output wiring should be within a Protectively Earthed cabinet.

-Sensor sheaths should be bonded to protective earth or not be accessible.

-Live parts should not be accessible without the use of a tool.

-When fitted to the final installation, an IEC/CSA APPROVED disconnecting device should be used to disconnect both LINE and NEUTRAL conductors simultaneously.

-Do not position the equipment so that it is difficult to operate the disconnecting device.