

IDEMAG - Magnetic Non Contact - Type: MPR

Magnetic Actuation

Switching Tolerance up to 12mm



Will operate with most Safety Relays

Compact yet robust fitting suitable for all small guard applications.
 Can be mounted unobtrusively in channels or behind doors – left or right cable exit
 Hygienic screw cap covers ensure suitability for Food Processing washdown.
 Cost effective interlock solution.

Wide sensing at 12mm and high tolerance to misalignment.

High current switching capability to 0.5A.

Up to: PLe ISO 13849 1 SIL 3 EN 62061 Cat.4 EN 954 1

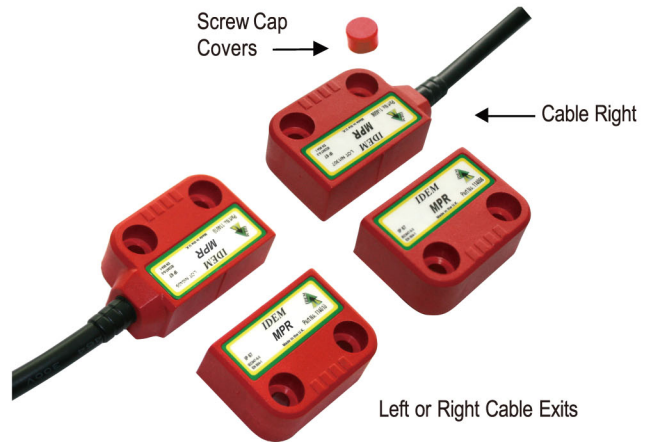
2NC 1NO circuits

Quick connect versions M12 - 8 way or M8 - 4 way

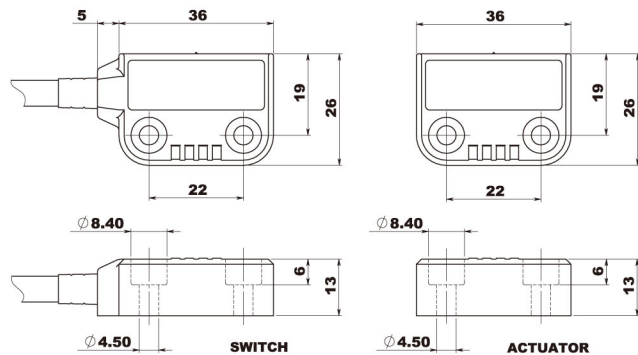
Specified to 80C

but designed to work up to 100C.

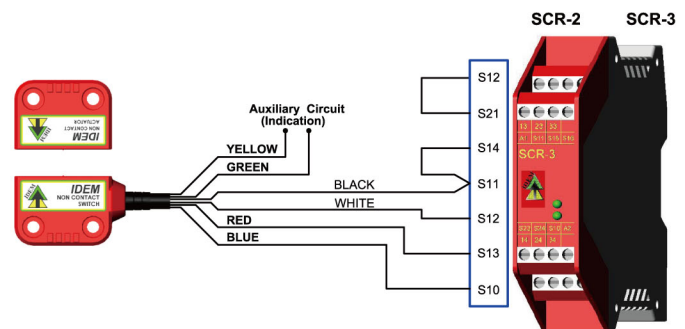
Plastic Housing



Quick Connect M12 versions fitted with 250mm (10") cable



Connection example – magnetic switches



Standards	EN1088 IEC 60947-5-3 EN 60204-1 ISO 13849-1 EN62061 EN 954-1 UL508
Safety Classification and Reliability Data:	
Mechanical Reliability B10d	3.3 x 10 ⁶ operations at 100mA load
EN 954-1	up to Category 4 with Safety Relay
ISO 13849-1	up to PLe depending upon system architecture
EN 62061	up to SIL3 depending upon system architecture
Safety Data - Annual Usage	8 cycles per hour / 24 hours per day / 365 days
PFHd	2.52 x 10 ⁻⁸
Proof Test Interval (Life)	47 years
MTTFd	470 years
Medium Duty Safety Channel 1 NC	Voltage free : 250V.ac 0.5 A Max. Rating
Safety Channel 2 NC	Voltage free : 250V.ac 0.5 A Max. Rating
Safety Channel 3 NO	Voltage free : 24V.dc 0.2 A Max. Rating
Fuse	Internal 1.0 A. (F) External 0.4 A (F) (User)
Contact release time	<2ms
Initial contact resistance	<500 milliohm
Minimum switched current	10V. dc 1mA
Dielectric withstand	250V.ac
Insulation Resistance	100 Mohms
Recommended setting gap	5mm
Switching Distance:	Sao 10mm Close
(Target to target)	Sar 22mm Open
Tolerance to misalignment	5mm in any direction from 5mm setting gap
Switching frequency	1.0 Hz maximum
Approach speed	200mm/m. to 1000mm/s.
Body Material	UL approved polyester
Temperature Range	-25 +80C.
Enclosure Protection	IP69K (NEMA PW12) IP67 (NEMA 6)
Shock Resistance	IEC 68-2-27 11ms 30g
Vibration Resistance	IEC 68-2-6 10-55 Hz. 1mm
Cable Type	PVC 6 core 6mm O.D.
Mounting Bolts	2 x M4 Tightening torque 1.0 Nm
Mounting Position	Any

Sales Number	Type	Cable Length	Circuits
114001	MPR Cable Right	2M	2NC
114002	MPR Cable Right	5M	2NC
114003	MPR Cable Right	10M	2NC
114004	MPR Cable Right	QC-M12	2NC
114005	MPR Cable Right	2M	2NC 1NO
114006	MPR Cable Right	5M	2NC 1NO
114007	MPR Cable Right	10M	2NC 1NO
114008	MPR Cable Right	QC-M12	2NC 1NO
114009	MPR Cable Left	2M	2NC
114010	MPR Cable Left	5M	2NC
114011	MPR Cable Left	10M	2NC
114012	MPR Cable Left	QC-M12	2NC
114013	MPR Cable Left	2M	2NC 1NO
114014	MPR Cable Left	5M	2NC 1NO
114015	MPR Cable Left	10M	2NC 1NO
114016	MPR Cable Left	QC-M12	2NC 1NO

Alternative QC version		M8 Universal 2NC versions		4 way integral connector 1NC 1NO versions	
M8 Connector Right					
114020	MPR Connector Right	QC M8 2NC	Close 10mm Open 20mm		
114021	MPR Connector Left	QC M8 2NC	Close 10mm Open 20mm		
114022	MPR Connector Right	QC M8 1NC 1NO	Close 10mm Open 20mm		
114023	MPR Connector Left	QC M8 1NC 1NO	Close 10mm Open 20mm		
114024	MPR Connector Right	QC M8 2NC	Close 4mm Open 10mm		
114025	MPR Connector Left	QC M8 2NC	Close 4mm Open 10mm		
114026	MPR Connector Right	QC M8 1NC 1NO	Close 4mm Open 10mm		
114027	MPR Connector Left	QC M8 1NC 1NO	Close 4mm Open 10mm		

For all IDEM switches the NC circuits are closed when the guard is closed and the actuator present

IDEMAG - Magnetic Non Contact - Type: SPR

Magnetic Actuation - Power series



Medium Duty versions 230V.ac / 24V.dc 1A.

Specified to 80C but designed to work up to 100C.
Will operate with most Safety Relays

Switching Tolerance up to 12mm

Universal fitting - established 22mm fixing footprint suitable for most general applications.

Can be high pressure hosed at high temperature - IP69K.

Withstands environments where high humidity or hose down is required.

Durable polyester housing.

Wide 12mm sensing – high tolerance to misalignment.

Long life high switching capability to 1A.

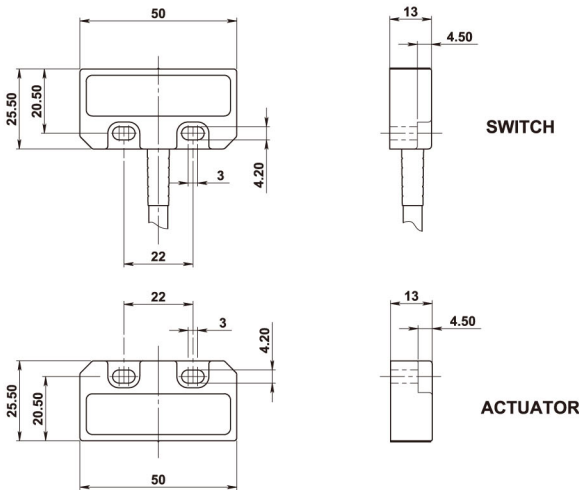
Up to: PLe ISO 13849-1 SIL 3 EN 62061 Cat.4 EN 954-1

2NC 1NO circuits

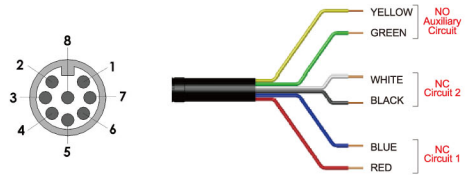
Quick connect versions



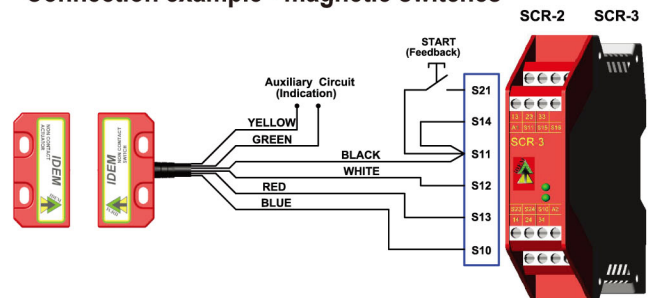
Quick Connect M12 versions fitted with 250mm (10") cable



Quick Connect (QC)	Standard Lead Colour	Circuit (Actuator Present)
M12 8 Way Male Plug Pin view from switch		
4	Yellow	NO
6	Green	NO
7	Black	NC2
1	White	NC2
2	Red	NC1
3	Blue	NC1



Connection example - magnetic switches



Single switch connected to an SCR-2 or SCR-3 to give Dual Channel monitoring with Manual Start. Optional auxiliary circuit provides for remote signalling from switch.

Standards	EN1088 IEC 60947-5-3 EN 60204-1 ISO 13849-1 EN62061 EN 954-1 UL508
Safety Classification and Reliability Data:	
Mechanical Reliability B10d	3.3 x 10 ⁶ operations at 100mA load
EN 954-1	up to Category 4 with Safety Relay
ISO 13849-1	up to PLe depending upon system architecture
EN 62061	up to SIL3 depending upon system architecture
Safety Data - Annual Usage	8 cycles per hour / 24 hours per day / 365 days
PFHd	2.52 x 10 ⁻⁸
Proof Test Interval (Life)	47 years
MTTFd	470 years
Safety Channel 1 NC	Voltage free : 250V.ac 1.0 A Max. Rating
Safety Channel 2 NC	Voltage free : 250V.ac 1.0 A Max. Rating
Safety Channel 3 NO	Voltage free : 24V.dc 0.2 A Max. Rating
Fuse	Internal 1.0 A. (F) External 0.8A (F) (User)
Contact release time	<2ms
Initial contact resistance	<500 milliohm
Minimum switched current	10V. dc 1mA
Dielectric withstand	250V.ac
Insulation Resistance	100 Mohms
Recommended setting gap	5mm
Switching Distance:	Sao 10mm Close
(Target to target)	Sar 22mm Open
Tolerance to misalignment	5mm in any direction from 5mm setting gap
Switching frequency	1.0 Hz maximum
Approach speed	200mm/m. to 1000mm/s.
Body Material	UL approved polyester
Temperature Range	- 25 +80C.
Enclosure Protection	IP69K (NEMA PW12) IP67 (NEMA 6)
Shock Resistance	IEC 68-2-27 11ms 30g
Vibration Resistance	IEC 68-2-6 10-55 Hz. 1mm
Cable Type	PVC 6 core 6mm O.D.
Mounting Bolts	2 x M4 Tightening torque 1.0 Nm
Mounting Position	Any

Sales Number	Type	Cable Length	Circuits
111009	Idemag SPR	2M	2NC
111010	Idemag SPR	5M	2NC
111011	Idemag SPR	10M	2NC
111012	Idemag SPR	QC-M12	2NC
111013	Idemag SPR	2M	2NC 1NO
111014	Idemag SPR	5M	2NC 1NO
111015	Idemag SPR	10M	2NC 1NO
111016	Idemag SPR	QC-M12	2NC 1NO

140101	Female QC Lead	M12 Female 5m. 8 way
140102	Female QC Lead	M12 Female 10m. 8 way

111300	Plastic 8mm Spacers for use when mounted on Ferrous Materials.	(1 X Switch 1 X Actuator)
--------	--	---------------------------

For all IDEM switches the NC circuits are closed when the guard is closed and the actuator present

EUROMAG - Magnetic Non Contact - Type: LPR

Magnetic Actuation - Power series



Switching Tolerance up to 12mm

Medium Duty versions 230V.ac / 24V.dc 1A.

Popular European fitting suitable for all industry applications.

Wide 12mm sensing – high tolerance to misalignment

Narrow fitting for flush mounting

Long Life High Power switching capability up to 1A.

Up to: PLe ISO 13849-1 SIL 3 EN 62061 Cat.4 EN 954-1

2NC + 1NO circuits

Quick connect versions

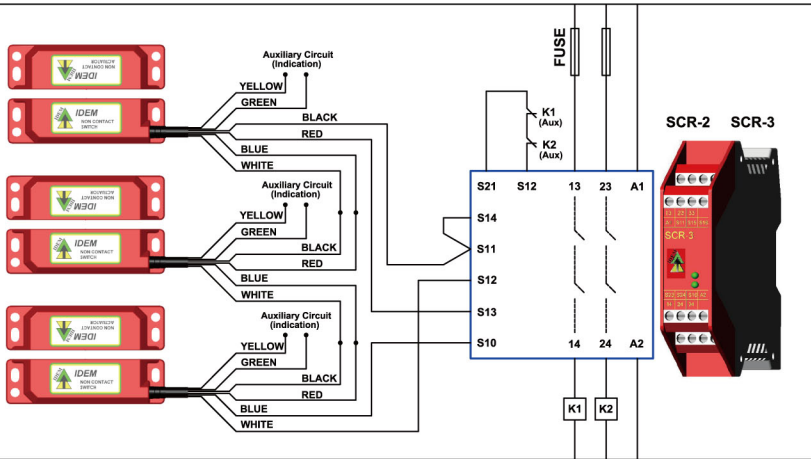
Specified to 80C but designed to work up to 100C.
Will operate with most Safety Relays



Quick Connect M12 versions fitted with 250mm (10") cable

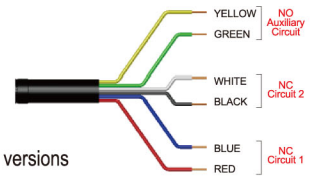
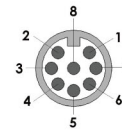
Connection example - magnetic switches

24Vac/dc 110Vac 230Vac

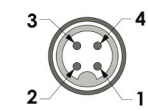
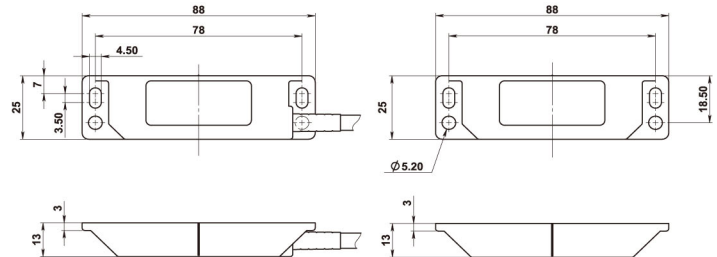


Three switches connected in series to an SCR-2 or SCR-3 to give Dual Channel monitoring with auto start and contactor feedback check. Optional auxiliary circuits provide for remote signalling from each switch.

Quick Connect (QC)	Standard Lead Colour	Circuit (Actuator Present)
M12 8 Way Male Plug		
Pin view from switch		
4	Yellow	NO
6	Green	NO
7	Black	NC2
1	White	NC2
2	Red	NC1
3	Blue	NC1



Standard M12 8 Way versions
Pin View from Switch



NC1 Pins 1 and 2
NC2 Pins 3 and 4
M12 4 Way versions
Asi compatible Pin out
Pin view from switch

OV	Standards	EN1088 IEC 60947-5-3 EN 60204-1 ISO 13849-1 EN62061 EN 954-1 UL508
Safety Classification and Reliability Data:	Mechanical Reliability B10d	3.3 x 10 ⁶ operations at 100mA load up to Category 4 with Safety Relay
	EN 954-1	up to PLe depending upon system architecture
	ISO 13849-1	up to SIL3 depending upon system architecture
	EN 62061	8 cycles per hour / 24 hours per day / 365 days
Safety Data - Annual Usage	PFHd	2.52 x 10 ⁻⁶
	Proof Test Interval (Life)	47 years
	MTTFd	470 years
Medium Duty	Safety Channel 1 NC	Voltage free : 250V.ac 1.0 A Max. Rating
	Safety Channel 2 NO	Voltage free : 250V.ac 1.0 A Max. Rating
	Safety Channel 3 NO	Voltage free : 24V.dc 0.2 A Max. Rating
	Fuse	Internal 1.0 A. (F) External 0.8A (F) (User)
	Contact release time	<2ms
	Initial contact resistance	<500 milliohm
	Minimum switched current	10V. dc 1mA
	Dielectric withstand	250V.ac
	Insulation Resistance	100 Mohms
	Recommended setting gap	5mm
	Switching Distance:	Sao 10mm Close
	(Target to target)	Sar 22mm Open
	Tolerance to misalignment	5mm in any direction from 5mm setting gap
	Switching frequency	1.0 Hz maximum
	Approach speed	200mm/m. to 1000mm/s.
	Body Material	UL approved polyester
	Temperature Range	-25 +80C.
	Enclosure Protection	IP69K (NEMA PW12) IP67 (NEMA 6)
	Shock Resistance	IEC 68-2-27 11ms 30g
	Vibration Resistance	IEC 68-2-6 10-55 Hz. 1mm
	Cable Type	PVC 6 core 6mm O.D.
	Mounting Bolts	2 x M4 Tightening torque 1.0 Nm
	Mounting Position	Any

110300	Plastic 8mm Spacers for use when mounted on Ferrous Materials.	(1 X Switch 1 X Actuator)
--------	--	---------------------------

140101	Female QC Lead	M12 Female 5m. 8 way
140102	Female QC Lead	M12 Female 10m. 8 way



Sales Number	Type	Cable Length	Circuits
110009	Euromag LPR	2M	2NC
110010	Euromag LPR	5M	2NC
110011	Euromag LPR	10M	2NC
110012	Euromag LPR	QC-M12	2NC
110013	Euromag LPR	2M	2NC 1NO
110014	Euromag LPR	5M	2NC 1NO
110015	Euromag LPR	10M	2NC 1NO
110016	Euromag LPR	QC-M12	2NC 1NO
110021	Euromag LPR	2M	1NC 1NO
110022	Euromag LPR	5M	1NC 1NO
110023	Euromag LPR	10M	1NC 1NO
110024	Euromag LPR	QC-M12 4 Way	2NC

EUROMAG Non Contact Magnetic Switches - Type LPR (with Integral LED)



2NC circuits for connection to safety relays to achieve up to PLe / Category 4 to ISO 13849-1

Integral LED indication of sensing position.

Choice of LED versions:

Green – on when guard is closed

Red – on when guard is open

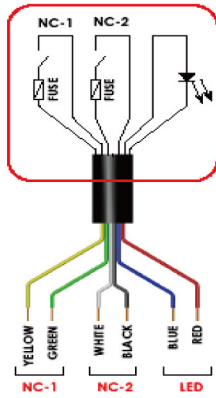
Popular European fitting suitable for all industry applications,

narrow fitting for flush mounting

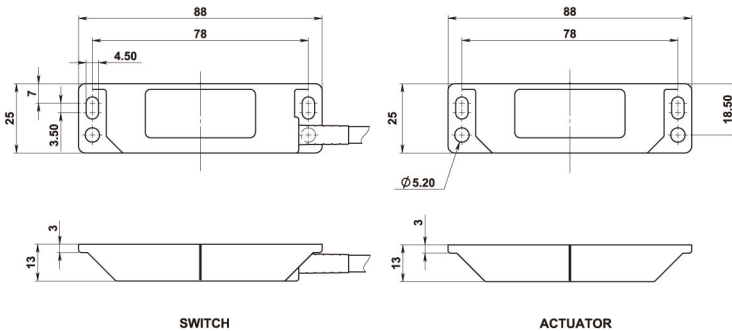
Wide 10mm sensing – high tolerance to misalignment

Long Life High Power switching capability up to 1A.

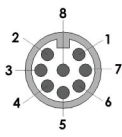
M12 Quick connect versions



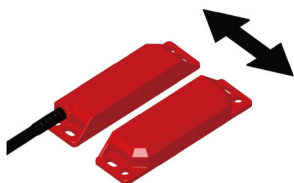
Note: The LED does not indicate the status of the NC Safety Contacts, but indicates that the actuator is aligned to give optimum performance.



Quick Connect M12 versions fitted with 250mm (10") cable



Operating direction for optimum performance



For all IDEM switches the NC circuits are closed when the guard is closed and the actuator present.

Standards EN1088 IEC 60947-5-3 EN 60204-1
EN 954-1 UL508

Safety Channels NC1 and NC2 Voltage free : 250V.ac 1.0 A Max.

- Fuses (NC Circuits) Fuse externally 0.8A (F)
- Contact release time <2ms
- Initial contact resistance <500 milliohm
- Minimum switched current 10V. dc 1mA
- Dielectric withstand 250V.ac
- Insulation Resistance 100 Mohms
- Recommended setting gap 5mm
- LED supply voltage 24V.dc +/- 10%
- NC Switching Distance: Sao 10mm Close Sar 22mm Open
- LED (Green) Typical: 8mm ON 15mm OFF
- LED (Red) Typical: 8mm OFF 15mm ON
- Tolerance to misalignment 5mm in any direction from 5mm setting gap
- Switching frequency 1.0 Hz maximum
- Approach speed 200mm/m. to 1000mm/s.
- Body Material Red Polyester
- Temperature Range -25 / 80C.
- Enclosure Protection IP67
- Shock Resistance IEC 68-2-27 11ms 30g
- Vibration Resistance IEC 68-2-6 10-55 Hz. 1mm
- Mechanical Life Expectancy 10,000,000 switchings
- Electrical Life Expectancy 1,000,000 switchings
- De-rating Safety Factor 2
- Tested to 2,000,000 cycles at 24V. 0.2A
- Cable Type PVC 6 core 6mm O.D. Max.
- Mounting Bolts 2 x M4 Tightening torque 1.0 Nm

Quick Connect (QC)	Standard Lead Colour	Circuit (Actuator Present)
M12 8 Way Male Plug Pin view from switch		
4	Yellow	NC 2
6	Green	NC 2
7	Black	NC 1
1	White	NC 1
2	Red	Supply + 24Vdc
3	Blue	Supply 0Vdc

140101	Female QC Lead	M12 Female 5m. 8 way
140102	Female QC Lead	M12 Female 10m. 8 way

110300	Plastic 8mm Spacers for use when mounted on Ferrous Materials.	(1 X Switch 1 X Actuator)
--------	--	---------------------------

LED colour and status	Sales Number	Type	Cable Length	Output Circuits
LED Green (illuminated when guard is closed)	110101	Euromag LPR (with LED)	2M	2NC
	110102	Euromag LPR (with LED)	5M	2NC
	110103	Euromag LPR (with LED)	10M	2NC
	110104	Euromag LPR (with LED)	QC-M12	2NC
LED Red (illuminated when guard is open)	110105	Euromag LPR (with LED)	2M	2NC
	110106	Euromag LPR (with LED)	5M	2NC
	110107	Euromag LPR (with LED)	10M	2NC
	110108	Euromag LPR (with LED)	QC-M12	2NC

IDEMAG - Magnetic Non Contact - Type: CPR

Magnetic Actuation – Power series



Switching Tolerance up to 12mm

Heavy Duty 230V.ac / 24V.dc 2.0A. or Medium Duty version 1.0A.

Can be high pressure hosed at high temperature - IP69K

Slim fitting suitable for all industry applications.

Easy to install within narrow frame structures.

Operates from 2 sides for ease of application.

Wide 12mm sensing high tolerance to misalignment.

High switching capability - Medium Duty 1A. Heavy Duty 2A.

Up to: PLe ISO 13849-1 SIL 3 EN 62061 Cat.4 EN 954-1

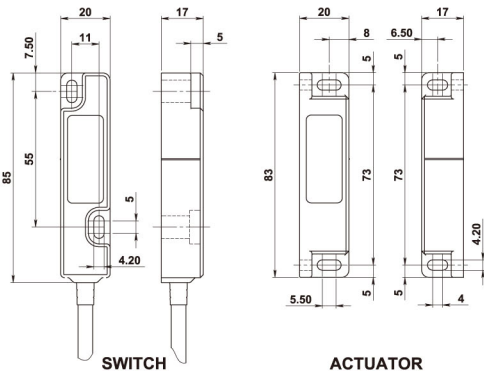
2NC + 1NO circuits

Quick connect versions

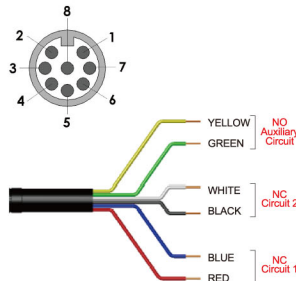
Specified to 80C but designed to work up to 100C.
Will operate with most Safety Relays



Quick Connect M12 versions fitted with 250mm (10") cable



Quick Connect (QC)	Standard Lead Colour	Circuit (Actuator Present)
M12 8 Way Male Plug Pin view from switch		
4	Yellow	NO
6	Green	NO
7	Black	NC2
1	White	NC2
2	Red	NC1
3	Blue	NC1



Standards EN1088 IEC 60947-5-3 EN 60204-1
ISO 13849-1 EN62061 EN 954-1 UL508

Safety Classification and Reliability Data:

Mechanical Reliability B10d 3.3 x 10⁶ operations at 100mA load
EN 954-1 up to Category 4 with Safety Relay
ISO 13849-1 up to PLe depending upon system architecture
EN 62061 up to SIL3 depending upon system architecture

Safety Data - Annual Usage 8 cycles per hour / 24 hours per day / 365 days
PFHd 2.52 x 10⁻⁸

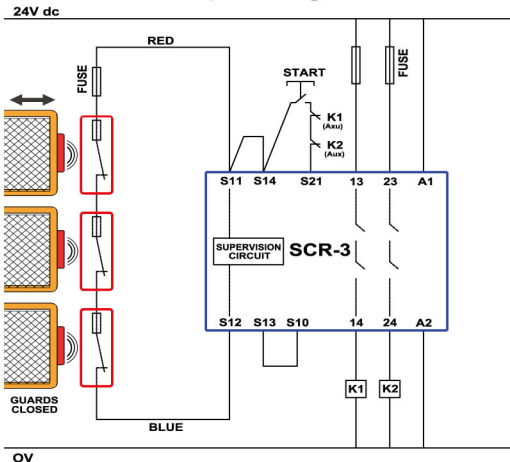
Proof Test Interval (Life) 47 years
MTTFd 470 years

Heavy Duty Safety Channel 1 NC Voltage free : 250V.ac 2.0 A Max. Rating
Safety Channel 2 NC Voltage free : 250V.ac 2.0 A Max. Rating
Safety Channel 3 NO Voltage free : 24V.dc 0.2 A Max. Rating
Fuse Internal 2.0 A. (F) External 1.6A (F) (User)

Medium Duty Safety Channel 1 NC Voltage free : 250V.ac 1.0 A Max. Rating
Safety Channel 2 NC Voltage free : 250V.ac 1.0 A Max. Rating
Safety Channel 3 NO Voltage free : 24V.dc 0.2 A Max. Rating
Fuse Internal 1.0 A. (F) External 0.8A (F) (User)

Contact release time <2ms
Initial contact resistance <500 milliohm
Minimum switched current 10V. dc 1mA
Dielectric withstand 250V.ac
Insulation Resistance 100 Mohms
Recommended setting gap 5mm
Switching Distance: Sao 10mm Close Sar 22mm Open
Tolerance to misalignment 5mm in any direction from 5mm setting gap
Switching frequency 1.0 Hz maximum
Approach speed 200mm/m. to 1000mm/s.
Body Material UL approved Polyester
Temperature Range -25 +80C.
Enclosure Protection IP69K (NEMA PW12) IP67 (NEMA 6)
Shock Resistance IEC 68-2-27 11ms 30g
Vibration Resistance IEC 68-2-6 10-55 Hz. 1mm
Cable Type PVC 6 core 6mm O.D.
Mounting Bolts 2 x M4 Tightening torque 1.0 Nm
Mounting Position Any

Connection example – magnetic switches



Three switches connected in series to an SCR-2 or SCR-3 to give Single Channel Guard monitoring but with monitored manual start and contactor feedback check. Allows minimal wiring but higher current switching to K1 and K2 contactors.

For all IDEM switches the NC circuits are closed when the guard is closed and the actuator present

Sales Number	Type	Cable Length	Circuits	NC Duty
113001	Idemag CPR	2M	2NC	Medium 1A
113002	Idemag CPR	5M	2NC	Medium 1A
113003	Idemag CPR	10M	2NC	Medium 1A
113004	Idemag CPR	QC-M12	2NC	Medium 1A
113005	Idemag CPR	2M	2NC 1NO	Medium 1A
113006	Idemag CPR	5M	2NC 1NO	Medium 1A
113007	Idemag CPR	10M	2NC 1NO	Medium 1A
113008	Idemag CPR	QC-M12	2NC 1NO	Medium 1A
113009	Idemag CPR	2M	1NC	Heavy 2A
113010	Idemag CPR	5M	1NC	Heavy 2A
113011	Idemag CPR	10M	1NC	Heavy 2A
113012	Idemag CPR	QC-M12	1NC	Heavy 2A
113013	Idemag CPR	2M	1NC 1NO	Heavy 2A
113014	Idemag CPR	5M	1NC 1NO	Heavy 2A
113015	Idemag CPR	10M	1NC 1NO	Heavy 2A
113016	Idemag CPR	QC-M12	1NC 1NO	Heavy 2A

113300	Plastic 8mm Spacers for use when mounted on Ferrous Materials.	(1 X Switch 1 X Actuator)
--------	--	---------------------------

140101	Female QC Lead	M12 Female 5m. 8 way
140102	Female QC Lead	M12 Female 10m. 8 way



IDEMAG - Magnetic Non Contact - Type: WPR

Magnetic Actuation - Power series

Heavy Duty 230V.ac / 24V.dc 2.0A.

Switching Tolerance up to 12mm

Robust wide fitting suitable for all industry applications.

Can be high pressure hosed at high temperature - **IP69K**

Wide 12mm sensing high tolerance to misalignment.

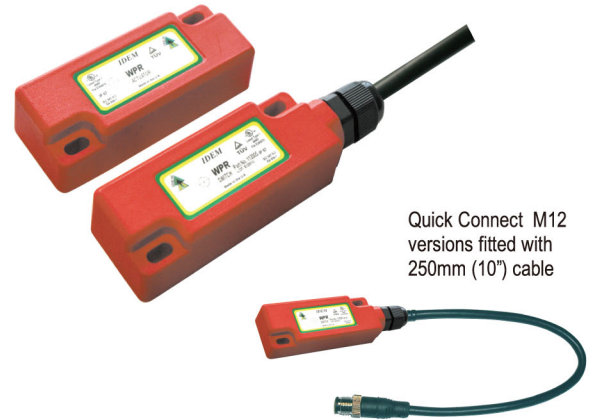
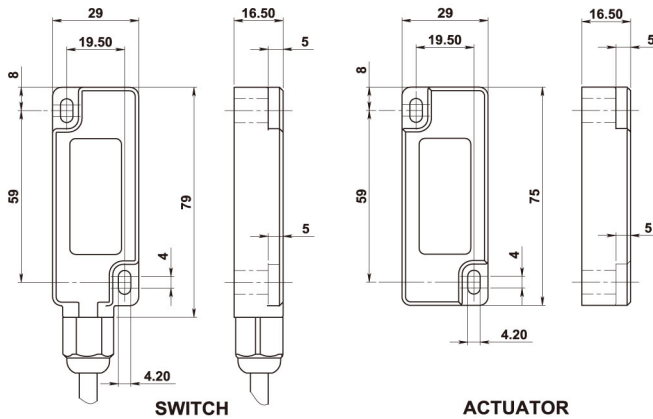
High switching capability - Heavy Duty 2A.

Up to: PLe ISO 13849-1 SIL 3 EN 62061 Cat.4 EN 954-1

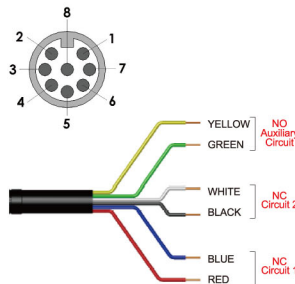


Specified to 80C but designed to work up to 100C.

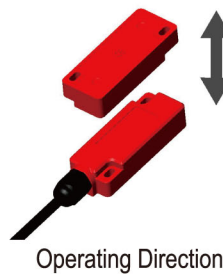
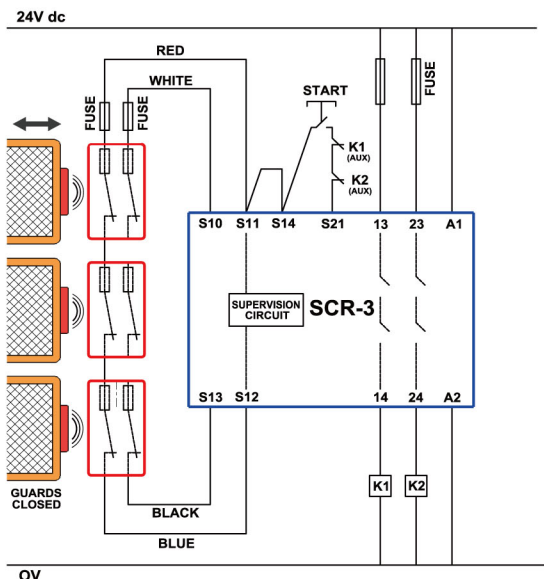
Will operate with most Safety Relays



Quick Connect (QC)	Standard Lead Colour	Circuit (Actuator Present)
M12 8 Way Male Plug Pin view from switch		
4	Yellow	NO
6	Green	NO
7	Black	NC2
1	White	NC2
2	Red	NC1
3	Blue	NC1



Connection example - magnetic switches



Standards EN1088 IEC 60947-5-3 EN 60204-1
ISO 13849-1 EN62061 EN 954-1 UL508

Safety Classification and Reliability Data:

Mechanical Reliability B10d 3.3 x 10⁶ operations at 100mA load
EN 954-1 up to Category 4 with Safety Relay
ISO 13849-1 up to PLe depending upon system architecture
EN 62061 up to SIL3 depending upon system architecture

Safety Data - Annual Usage 8 cycles per hour / 24 hours per day / 365 days
PFHd 2.52 x 10⁻⁸
Proof Test Interval (Life) 47 years
MTTFd 470 years

Heavy Duty Safety Channel 1 NC Voltage free : 250V.ac 2.0 A Max. Rating
Safety Channel 2 NC Voltage free : 250V.ac 2.0 A Max. Rating
Safety Channel 3 NO Voltage free : 24V.dc 0.2 A Max. Rating
Heavy Duty Fuse Internal 2.0 A. (F) External 1.6 A.(F) (User)
Contact release time <2ms
Initial contact resistance <500 milliohm
Minimum switched current 10V. dc 1mA
Dielectric withstand 250V.ac
Insulation Resistance 100 Mohms
Recommended setting gap 5mm
Switching Distance: Sao 10mm Close
(Target to target) Sar 22mm Open
Tolerance to misalignment 5mm in any direction from 5mm setting gap
Switching frequency 1.0 Hz maximum
Approach speed 200mm/m. to 1000mm/s.
Body Material UL approved polyester
Temperature Range -25 +80C.
Enclosure Protection IP69K (NEMA PW12) IP67 (NEMA 6)
Shock Resistance IEC 68-2-27 11ms 30g
Vibration Resistance IEC 68-2-6 10-55 Hz. 1mm
Cable Type PVC 6 core 6mm O.D.
Mounting Bolts 2 x M4 Tightening torque 1.0 Nm
Mounting Position Any

Sales Number	Type	Cable Length	Circuits
112001	Idemag WPR	2M	2NC
112002	Idemag WPR	5M	2NC
112003	Idemag WPR	10M	2NC
112004	Idemag WPR	QC-M12	2NC
112005	Idemag WPR	2M	2NC 1NO
112006	Idemag WPR	5M	2NC 1NO
112007	Idemag WPR	10M	2NC 1NO
112008	Idemag WPR	QC-M12	2NC 1NO
112009	Idemag WPR	2M	1NC 1NO
112010	Idemag WPR	5M	1NC 1NO
112011	Idemag WPR	10M	1NC 1NO
112012	Idemag WPR	QC-M12	1NC 1NO

Three switches connected in series to an SCR-2 or SCR-3 to give Dual Channel Guard monitoring but with monitored manual start and contactor feedback check.

For all IDEM switches the NC circuits are closed when the guard is closed and the actuator present



140101	Female QC Lead	M12 Female 5m.	8 way
140102	Female QC Lead	M12 Female 10m.	8 way

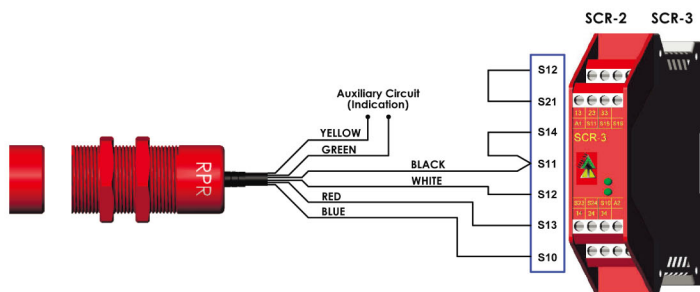
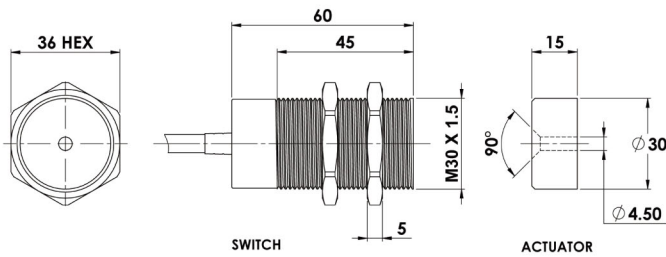
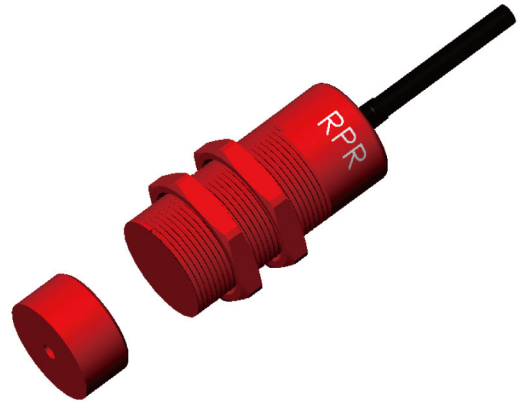
IDEMAG Magnetic Non Contact - Type: RPR (Plastic)

Magnetic Actuation **Switching Tolerance up to 10mm**



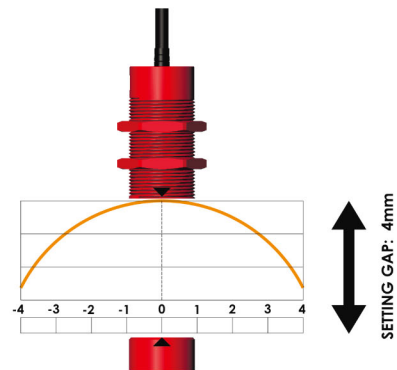
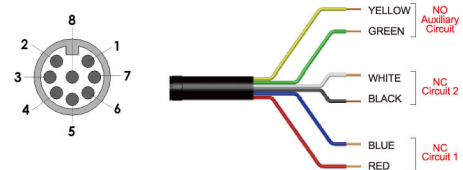
Cylindrical fitting suitable for all industry applications.
 Easy to install - M30 threaded body - easy to set
 Wide 10mm sensing
 Suitable for the harsh environments of Food processing and packaging
 Red Polyester housing
 UP to: PLe ISO 13849-1 SIL3 EN 62061 Cat. 4 EN 954-1
 2NC 1NO circuits
 Quick connect versions.

Will operate with most Safety Relays
RPR - Plastic Housing



Quick Connect (QC)	Standard Lead Colour	Circuit (Actuator Present)
M12 8 Way Male Plug Pin view from switch		
4	Yellow	NO
6	Green	NO
7	Black	NC2
1	White	NC2
2	Red	NC1
3	Blue	NC1

One Switch connected to an SCR-2 or SCR-3 to give Dual Channel Guard monitoring auto start.



Standards	EN1088 IEC 60947-5-3 EN 60204-1 ISO 13849-1 EN62061 EN 954-1 UL508
Safety Classification and Reliability Data:	
Switching Reliability	3.3 x 10 ⁶ operations at 100mA load up to Category 4 with Safety Relay
ISO 13849-1	up to PLe depending upon system architecture
EN 62061	up to SIL3 depending upon system architecture
Safety Data - Annual Usage	8 cycles per hour / 24 hours per day / 365 days
PFHd	2.52 x 10 ⁻⁸
Proof Test Interval (Life)	47 years
MTTFd	470 years
Safety Channel 1 NC	24V.dc 0.5 A Max. Rating
Safety Channel 2 NC	24V.dc 0.5 A Max. Rating
Safety Channel 3 NO	24V.dc 0.2 A Max. Rating
Minimum switched current	10V. dc 1mA
Dielectric withstand	250V.ac
Insulation Resistance	100 Mohms
Recommended setting gap	5mm
Switching Distance:	Sao 10mm Close
(Target to target)	Sar 20mm Open
Tolerance to misalignment	4mm in any direction from 4mm setting gap
Switching frequency	1.0 Hz maximum
Approach speed	200mm/m. to 1000mm/s.
Body Material	UL approved polyester
Temperature Range	-25 / 80C
Enclosure Protection	IP69K IP67
Shock Resistance	IEC 68-2-27 11ms 30g
Vibration Resistance	IEC 68-2-6 10-55 Hz. 1mm
Cable Type	PVC 6 core 6mm O.D.
Mounting Position	Any

For all IDEM switches the NC circuits are closed when the guard is closed and the actuator present

Sales Number	Type	Cable Length	Circuits
116009	Idemag RPR Plastic	2M	2NC
116010	Idemag RPR Plastic	5M	2NC
116011	Idemag RPR Plastic	10M	2NC
116012	Idemag RPR Plastic	QC-M12	2NC
116013	Idemag RPR Plastic	2M	2NC 1NO
116014	Idemag RPR Plastic	5M	2NC 1NO
116015	Idemag RPR Plastic	10M	2NC 1NO
116016	Idemag RPR Plastic	QC-M12	2NC 1NO

140101	Female QC Lead	M12 Female 5m.	8 way
140102	Female QC Lead	M12 Female 10m.	8 way