

WL4-2E331

PRODUCT PORTFOLIO

SICK
Sensor Intelligence.



Illustration may differ

Ordering information

Type	Part no.
WL4-2E331	1015762

Other models and accessories → www.sick.com/

Detailed technical data

Features

Sensor/ detection principle	Photoelectric retro-reflective sensor
Dimensions (W x H x D)	16 mm x 32 mm x 12 mm
Housing design (light emission)	Rectangular
Sensing range max.	0 m ... 2.8 m ¹⁾
Sensing range	0 m ... 1.7 m ¹⁾
Type of light	Visible red light
Light source	LED
Adjustment	Cable Single teach-in button

¹⁾ Reflector PL80A.

Mechanics/electronics

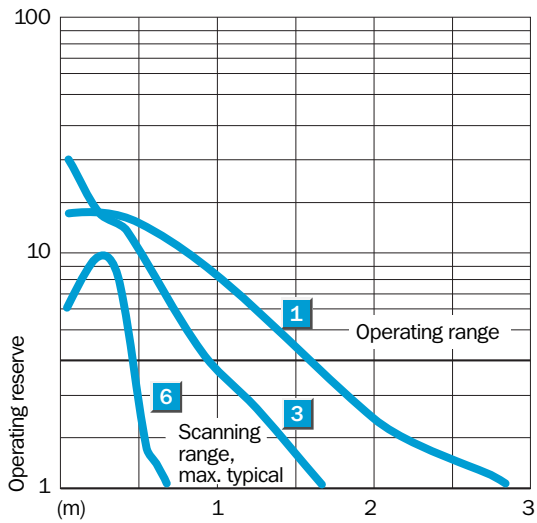
Supply voltage	10 V DC ... 30 V DC
Ripple	< 5 V _{pp}
Power consumption	≤ 20 mA ¹⁾
Switching output	NPN
Switching mode	Dark switching
Response time	< 500 μs ²⁾
Connection type	Cable with connector M8, 3-pin, 100 mm ³⁾
Housing material	Plastic, ABS
Optics material	Plastic, PMMA
Enclosure rating	IP67
Ambient operating temperature	-40 °C ... +60 °C
Ambient storage temperature	-40 °C ... +75 °C

¹⁾ Without load.

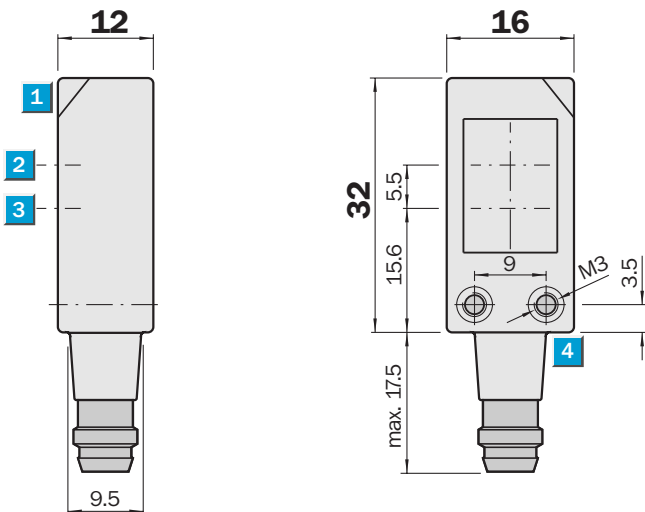
²⁾ Signal transit time with resistive load.

³⁾ Do not bend below 0 °C.

Characteristic curve



Dimensional drawing (Dimensions in mm (inch))



- ① LED signal strength indicator
- ② Optical axis, receiver
- ③ Optical axis, sender
- ④ Standard direction of the material being detected
- ⑤ Threaded mounting hole M3
- ⑥ Adjustment of sensing range

SICK AT A GLANCE

SICK is one of the leading manufacturers of intelligent sensors and sensor solutions for industrial applications. A unique range of products and services creates the perfect basis for controlling processes securely and efficiently, protecting individuals from accidents and preventing damage to the environment.

We have extensive experience in a wide range of industries and understand their processes and requirements. With intelligent sensors, we can deliver exactly what our customers need. In application centers in Europe, Asia and North America, system solutions are tested and optimized in accordance with customer specifications. All this makes us a reliable supplier and development partner.

Comprehensive services complete our offering: SICK LifeTime Services provide support throughout the machine life cycle and ensure safety and productivity.

For us, that is “Sensor Intelligence.”

WORLDWIDE PRESENCE:

Contacts and other locations –www.sick.com