



MZR2-03V-N-AW0

MZR2 Namur

PRODUCT PORTFOLIO

SICK
Sensor Intelligence.



Ordering information

Type	Part no.
MZR2-03V-N-AW0	7901321

Other models and accessories → www.sick.com/MZR2_Namur



Detailed technical data

Features

Cylinder types with adapter	Round body cylinder
Housing length	30 mm
Output type	NAMUR
Switching frequency	5,000 Hz
Electrical wiring	DC 2-wire
Enclosure rating	IP67 ¹⁾
Sensing face	Front

¹⁾ According to EN 60529.

Mechanics/electronics

Supply voltage	7.5 V DC ... 25 V DC
Voltage drop	≤ 1.5 V ¹⁾
Continuous current I_a	≤ 300 mA
Ex area category	2G
Time delay before availability	≤ 2 ms
Response sensitivity, typ.	≤ 3 mT
Reproducibility	≤ 0.1 mm ²⁾
Short-circuit protection	✓
Ambient operating temperature	-25 °C ... +70 °C
Shock and vibration resistance	30 g, 11 ms / 10 ... 55 Hz, 1 mm
EMC	According to EN 60947-5-6
Housing material	Metal, Aluminum
Sensing face material	Plastic, Plastic

¹⁾ At I_a max.

²⁾ U_b and T_a constant.

³⁾ For connection to a separately certified intrinsically safe circuit only.

Connection type	Cable, 2-wire, 2 m
Cable material	PVC
Conductor cross-section	0.34 mm ²
EC-Type examination certificate	TÜV 99 ATEX 1398
ATEX marking	EX II 2G Ex ib IIC T6 Gb
Input voltage U_i max.	16 V ³⁾
Input power P_i max.	100 mW ³⁾
Input current I_i max.	30 mA ³⁾
Internal capacitance C_i max.	15 nF ³⁾
Internal inductance L_i max.	≤ 35 µH ³⁾
Nominal voltage	8.2 V DC

1) At I_a max.

2) U_b and T_a constant.

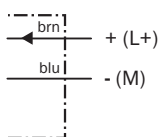
3) For connection to a separately certified intrinsically safe circuit only.

Classifications

ECl@ss 5.0	27270104
ECl@ss 5.1.4	27270104
ECl@ss 6.0	27270104
ECl@ss 6.2	27270104
ECl@ss 7.0	27270104
ECl@ss 8.0	27270104
ECl@ss 8.1	27270104
ECl@ss 9.0	27270104
ETIM 5.0	EC002544
ETIM 6.0	EC002544
UNSPSC 16.0901	39122230

Connection diagram

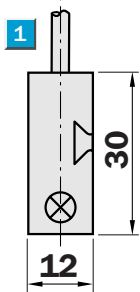
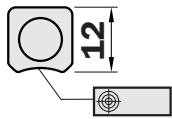
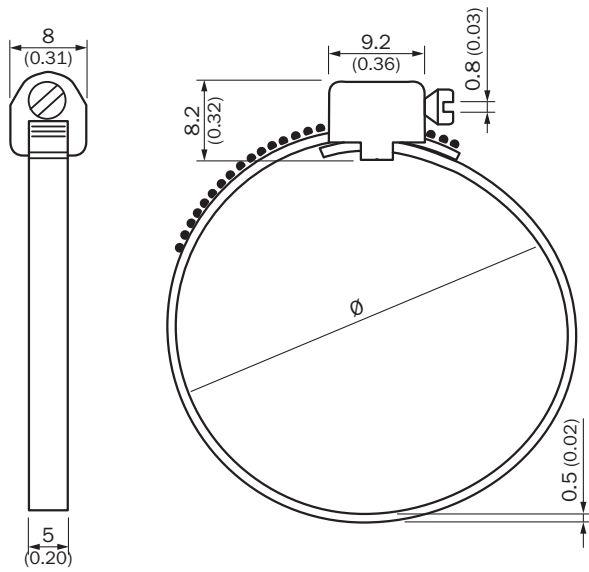
Cd-012



Functional principle



Dimensional drawing (Dimensions in mm (inch))



① Connection

SICK AT A GLANCE

SICK is one of the leading manufacturers of intelligent sensors and sensor solutions for industrial applications. A unique range of products and services creates the perfect basis for controlling processes securely and efficiently, protecting individuals from accidents and preventing damage to the environment.

We have extensive experience in a wide range of industries and understand their processes and requirements. With intelligent sensors, we can deliver exactly what our customers need. In application centers in Europe, Asia and North America, system solutions are tested and optimized in accordance with customer specifications. All this makes us a reliable supplier and development partner.

Comprehensive services complete our offering: SICK LifeTime Services provide support throughout the machine life cycle and ensure safety and productivity.

For us, that is “Sensor Intelligence.”

WORLDWIDE PRESENCE:

Contacts and other locations –www.sick.com