

**Safety Wiring System Distributor Box**

8-way distribution box  
without electrical feedback  
Replaced identical product (Art.No. 27057)

**Image**

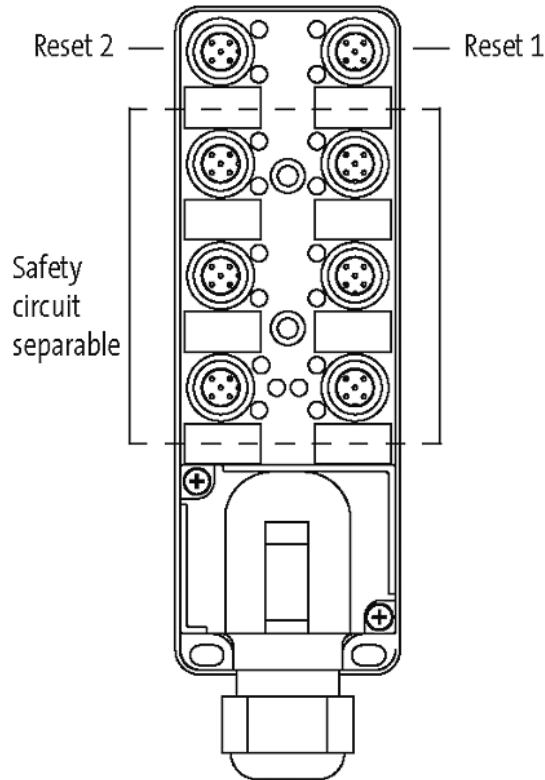
Vicarious picture

<b>Contact layout</b>	
Contact 1	MSDS: 11 (yellow), 13 (black); EMERGENCY-STOP: 11 (black)
Contact 2	MSDS: 12 (yellow), 14 (black); EMERGENCY-STOP: 12 (black)
Contact 3	MSDS: 21 (yellow); EMERGENCY-STOP: 21 (black)
Contact 4	MSDS: 22 (yellow); EMERGENCY-STOP: 22 (black)
<b>Technical Data</b>	
Operating voltage	24 V DC (18...30.2 V DC) EN 61131-2
Operating current (chain)	max. per 1 A
Operating current (black females)	max. per 1 A
Isolation resistance	min. 10 <sup>9</sup> Ohm
Material group	(EN 60664-1) over voltage, category III
<b>Technical data M12 port</b>	
Locking of ports	Screw thread M12 × 1 mm
<b>General data</b>	
Protection	IP65 and IP67 when plugged and screwed down (EN 60529)
Temperature range	-20...+80 °C
Housing	Plastic, flame retardant
<b>Commercial data</b>	
Net weight	191
Weight unit	gram
Basic unit	pc.
Customs tariff number	85369010
Unit (piece)	1
Limited value	1
<b>Accessories</b>	
	Safety Wiring System EMERGENCY OFF PUSH BUTTON with M12
	<b>Art.-No.</b> 55550
<b>Comments</b>	
<p>Plastic housings with good resistance against chemicals and oils. The resistance to aggressive media should be individually tested for your application. Further details on request.</p>	

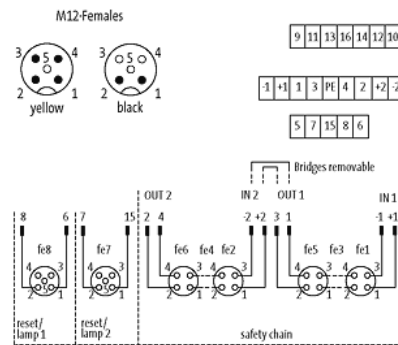
All data on this data sheet was compiled carefully.

Liability regarding correctness, completeness, and actuality is limited to gross negligence. Created: 03/13

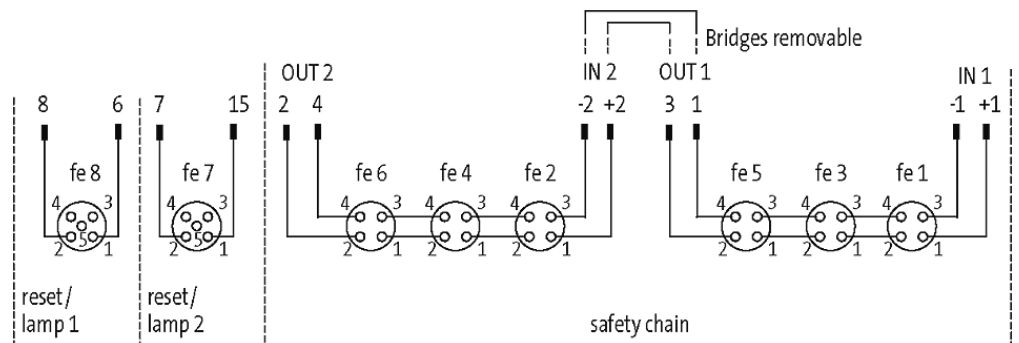
Connection diagram



Contact layout



Circuit diagram



Dimension drawing

