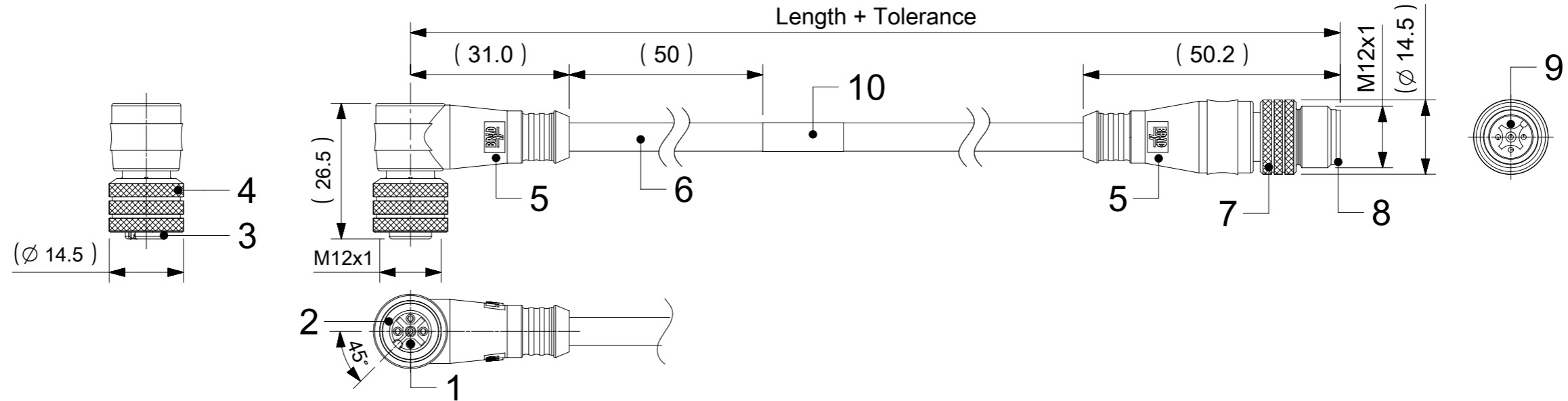


FEMALE PLUG M12 90° ANGLED TO MALE PLUG M12 STRAIGHT

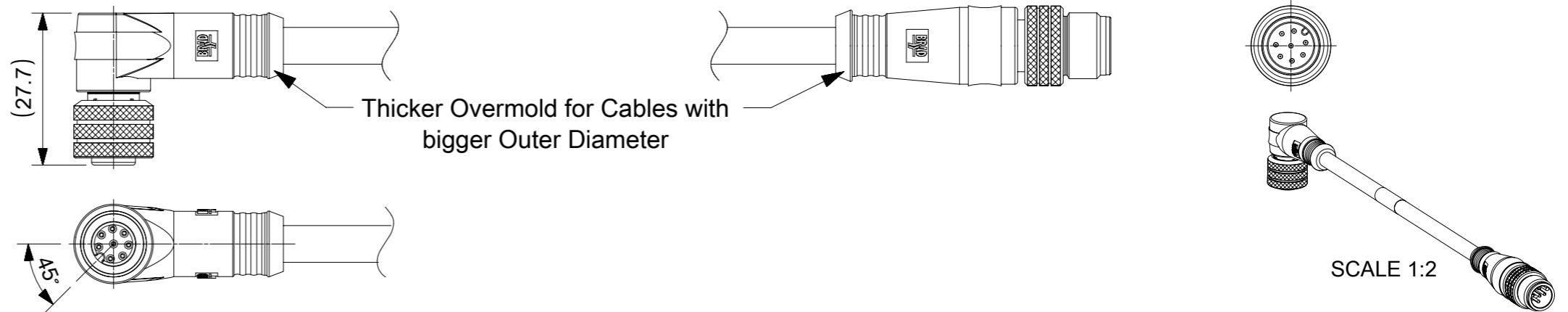


NOTES:

RATED VOLTAGE: 3, 4 contacts 250V per IEC 60664
 5 contacts 60V per IEC 60664
 5 contacts 250V per UL 2238
 8 contacts 30V per IEC 60664

RATED CURRENT: 3, 4, 5 contacts 4A
 8 contacts 2A

PROTECTION CLASS: IP 67
 TEMPERATURE: -25°C / +85°C



CONTACTS POSITION FRONT VIEW:

	3 CONTACTS		4 CONTACTS		5 CONTACTS		8 CONTACTS	
FEMALE								
MALE								
CONNECTIONS	PIN	WIRE	PIN	WIRE	PIN	WIRE	PIN	WIRE
	1	BROWN	1	BROWN	1	BROWN	1	WHITE
	2	---	2	WHITE	2	WHITE	2	BROWN
	3	BLUE	3	BLUE	3	BLUE	3	GREEN
	4	BLACK	4	BLACK	4	BLACK	4	YELLOW
			5	---	5	GREY OR GREEN/YELLOW	5	GREY
							6	PINK
							7	BLUE
						8	RED	

CODING REQUIRED TO IEC 61076-2-101

FOR OPTIONS SEE - NUMERICAL CODE - ON SHEET 2

ITEM	QTY.	DESCRIPTION	MATERIAL	FINISH
10	1	LABEL YELLOW	VINYL	---
	-	PRINTING FOR CABLES lxx	---	---
9	3 / 4 / 5 / 8	CONTACT MALE	BRASS	SELECTIVE Au OVER Ni
8	1	INSERT MALE BLACK	TPU	---
7	1	COUPLING NUT MALE	BRASS	NICKEL
6	-	CABLE	SEE SHEET 2	---
5	-	OVERMOULDING BLACK	TPU	---
4	1	COUPLING NUT FEMALE	BRASS	NICKEL
3	1	INSERT FEMALE BLACK	PUR	---
2	1	ORING RED	FPM	---
1	3 / 4 / 5 / 8	CONTACT FEMALE	BRASS	SELECTIVE Au OVER Ni

SYMBOLS		THIS DRAWING CONTAINS INFORMATION THAT IS PROPRIETARY TO MOLEX ELECTRONIC TECHNOLOGIES, LLC AND SHOULD NOT BE USED WITHOUT WRITTEN PERMISSION		CURRENT REV DESC:		molex	
▽ = 0	mm	SCALE	1:1	EC NO: 606310			
▽ = 0	GENERAL TOLERANCES (UNLESS SPECIFIED)		DRWN: SSM		2018/10/12	CSE M12 XP AC FE RA MA STR XM DE	
▽ = 0	ANGULAR TOL ± 1.0°		CHK'D: SSM		2018/10/22	PRODUCT CUSTOMER DRAWING	
▽ = 0	4 PLACES ±		APPR: RSILLER		2018/10/22	DOCUMENT NUMBER	
▽ = 0	3 PLACES ±		INITIAL REVISION:			1200660973	
▽ = 0	2 PLACES ± 0.05		DRWN: JMARSZALEK		2016/10/06	DOC TYPE DOC PART REVISION	
▽ = 0	1 PLACE ± 0.3		APPR: RSILLER		2016/12/08	PSD 000 A2	
▽ = 0	0 PLACES ± 0.5		DRAFT WHERE APPLICABLE MUST REMAIN WITHIN DIMENSIONS			MATERIAL NUMBER CUSTOMER SHEET NUMBER	
□ = 0	THIRD ANGLE PROJECTION		DRAWING		A3-SIZE	120066	
▽ = 0	SEE PART LIST		GENERAL MARKET		1 OF 4		

PART LIST

No.	Part No.	Engineering No.	Cable Length
1	1200060052	884031I20M005	0.5m
2	1200060053	884031I20M010	1m
3	1200060054	884031I20M015	1.5m
4	1200060055	884031I20M020	2m
5	1200070132	883031I03M003	0.3m
6	1200070133	883031I03M006	0.6m
7	1200070134	883031I03M010	1m
8	1200070136	883031I03M020	2m
9	1200070137	883031I03M030	3m
10	1200070138	883031I03M050	5m
11	1200070152	883031S20M010	1m
12	1200070153	883031S20M020	2m
13	1200070156	883031S20M050	5m
14	1200070522	884031I03M020	2m
15	1200070523	884031I03M030	3m
16	1200070534	884031S20M030	3m
17	1200070651	884031I03M006	0.6m
18	1200070768	884031S20M050	5m
19	1200070783	884031S20M100H	10m
20	1200071010	884031P82M100	10m
21	1200071096	884031P82M0037	0.3m
22	1200071138	884031S20M010H	1m
23	1200071139	884031S20M020H	2m
24	1200071143	884031P82M0107	1m
25	1200071144	884031P82M0207	2m
26	1200071164	884031S20M003H	0.3m
27	1200071179	884031S20M006H	0.6m
28	1200071183	884031S20M030H	3m
29	1200071189	884031S20M050H	5m
30	1200071200	884031S20M015H	1.5m
31	1200071236	884031S20M005H	0.5m
32	1200071280	884031S20M040H	4m
33	1200071318	884031P82M0067	0.6m
34	1200071341	884031I20M030	3m
35	1200071493	883031P82M0507	5m

No.	Part No.	Engineering No.	Cable Length
36	1200071575	884031P82M006	0.6m
37	1200071576	884031P82M010	1m
38	1200071577	884031P82M015	1.5m
39	1200071578	884031P82M0307	3m
40	1200071579	884031P82M050	5m
41	1200071581	884031P82M020	2m
42	1200071832	884031I20M050	5m
43	1200071833	884031I20M100	10m
44	1200071893	884031S20M100	10m
45	1200071994	885031P82M0307	3m
46	1200072696	883031S20M010H	1m
47	1200072725	885031I26M005	0.5m
48	1200072726	885031I26M010	1m
49	1200659070	884031I20M010Y	1m
50	1200659071	884031I20M015Y	1.5m
51	1200659072	884031I20M020Y	2m
52	1200659115	884031I20M005Y	0.5m
53	1200660374	884031K05M005	0.5m
54	1200660375	884031K05M006	0.6m
55	1200660376	884031K05M010	1m
56	1200660377	884031K05M015	1.5m
57	1200660378	884031K05M020	2m
58	1200660379	884031K05M030	3m
59	1200660380	884031K05M040	4m
60	1200660381	884031K05M050	5m
61	1200660382	884031K05M060	6m
62	1200660383	884031S20M010	1m
63	1200660546	884031K05M100	10m
64	1200660928	884031B02M005	0.5m
65	1200660929	884031B02M006	0.6m
66	1200660931	884031B02M010	1m
67	1200660935	884031B02M020	2m
68	1200660937	884031B02M030	3m
69	1200660940	884031B02M050	5m
70	1200660942	884031B02M060	6m


No.	Part No.	Engineering No.	Cable Length
71	1200660947	884031B02M100	10m
72	1200660971	884031K03M006	0.6m
73	1200660973	884031K03M010	1m
74	1200660975	884031K03M015	1.5m
75	1200660976	884031K03M020	2m
76	1200660977	884031K03M030	3m
77	1200660978	884031K03M040	4m
78	1200660980	884031K03M050	5m
79	1200660982	884031K03M060	6m
80	1200660983	884031K03M070	7m
81	1200660984	884031K03M090	9m
82	1200660985	884031K03M100	10m
83	1200665007	884031P82M0157	1.5m
84	1200665039	884031S20M003	0.3m
85	1200665053	884031S20M060H	6m
86	1200665074	884031K05M080	8m
87	1200668052	883031S20M006	0.6m
88	1200668071	884031S20M020	2m
89	1200668191	883031S20M030	3m
90	1200668221	884031P82M0407	4m
91	1200668237	883031S20M100	10m
92	1200668247	884031P82M0057	0.5m
93	1200668258	883031I03M080	8m
94	1200668259	884031I20M003	0.3m
95	1200668287	884031I20M025	2.5m
96	1200668392	884031P82M0607	6m
97	1200668531	884031P82M0507	5m
98	1200668532	884031P82M1007	10m
99	1200668647	884031P82M0067Y	0.6m
100	1200668666	884031P82M0107Y	1m
101	1200668667	884031I20M030Y	3m
102	1200070443	884021S20M003	0.3m
103	1200070444	884021S20M006	0.6m
104	1200070445	884021S20M010	1m
105	1200070446	884021S20M020	2m

Pos.	Part No.	Engineering No.	Cable Length
106	1200070447	884021S20M030	3m
107	1200070449	884021S20M050	5m
108	1200668042	883021S20M006	0.6m
109	1200668043	883021S20M020	2m
110	1200668044	883021S20M030	3m
111	1200668160	883021S20M010	1m
112	1200668608	883031E02M020	2m
113	1200668613	883031E02M030	3m
114	1200659035	883031E02M050	5m
115	1200668612	883031E02M100	10m
116	1200668908	883031E03M003H	0.3m
117	1200070118	883031E03M006	0.6m
118	1200668909	883031E03M006H	0.6m
119	1200070119	883031E03M010	1m
120	1200668910	883031E03M010H	1m
121	1200668635	883031E03M010Y	1m
122	1200070945	883031E03M015	1.5m
123	1200668967	883031E03M015H	1.5m
124	1200070121	883031E03M020	2m
125	1200072445	883031E03M020H	2m
126	1200668636	883031E03M020Y	2m
127	1200070123	883031E03M030	3m
128	1200668911	883031E03M030H	3m
129	1200072164	883031E03M040	4m
130	1200668968	883031E03M040H	4m
131	1200070125	883031E03M050	5m
132	1200668912	883031E03M050H	5m
133	1200668175	883031E03M060	6m
134	1200070127	883031E03M100	10m
135	1200658762	883031H09M006	0.6m
136	1200658763	883031H09M010	1m
137	1200658764	883031H09M020	2m
138	1200658765	883031H09M030	3m
139	1200669349	883031H09M030H	3m
140	1200658766	883031H09M040	4m
141	1200658767	883031H09M050	5m
142	1200658768	883031H09M100	10m

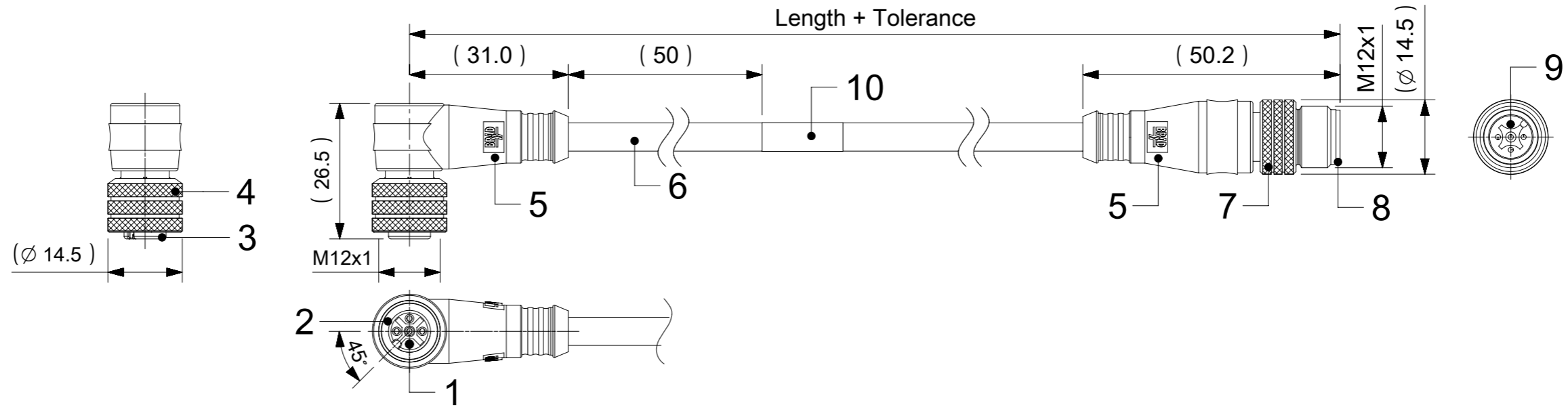
SYMBOLS = 0 = 0 = 0 = 0 = 0 = 0 = 0 = 0 = 0	THIS DRAWING CONTAINS INFORMATION THAT IS PROPRIETARY TO MOLEX ELECTRONIC TECHNOLOGIES, LLC AND SHOULD NOT BE USED WITHOUT WRITTEN PERMISSION DIMENSION UNITS: mm SCALE: 1:1	CURRENT REV DESC: EC NO: 606310 DRWN: SSM 2018/10/12 CHK'D: SSM 2018/10/22 APPR: RSILLER 2018/10/22	 CSE M12 XP AC FE RA MA STR XM DE				
	GENERAL TOLERANCES (UNLESS SPECIFIED) ANGULAR TOL ± 1.0° 4 PLACES ± 3 PLACES ± 2 PLACES ± 0.05 1 PLACE ± 0.3 0 PLACES ± 0.5					PRODUCT CUSTOMER DRAWING	
	DRAFT WHERE APPLICABLE MUST REMAIN WITHIN DIMENSIONS		INITIAL REVISION: DRWN: JMARSZALEK 2016/10/06 APPR: RSILLER 2016/12/08	DOCUMENT NUMBER 1200660973	DOC TYPE PSD	DOC PART 000	REVISION A2
	THIRD ANGLE PROJECTION 		DRAWING A3-SIZE	SERIES 120066	MATERIAL NUMBER SEE PART LIST	CUSTOMER GENERAL MARKET	SHEET NUMBER 3 OF 4

Pos.	Part No.	Engineering No.	Cable Length
143	1200070140	883031P03M003	0.3m
144	1200070141	883031P03M006	0.6m
145	1200070142	883031P03M010	1m
146	1200668324	883031P03M010G	1m
147	1200071121	883031P03M010H	1m
148	1200070143	883031P03M020	2m
149	1200668325	883031P03M020G	2m
150	1200668753	883031P03M020H	2m
151	1200070144	883031P03M030	3m
152	1200668326	883031P03M030G	3m
153	1200070145	883031P03M050	5m
154	1200668520	883031P03M070	7m
155	1200070146	883031P03M100	10m
156	1200070507	884031E03M003	0.3m
157	1200070508	884031E03M006	0.6m
158	1200070509	884031E03M010	1m
159	1200668361	884031E03M015	1.5m
160	1200070511	884031E03M020	2m
161	1200070512	884031E03M030	3m
162	1200669260	884031E03M030H	3m
163	1200070904	884031E03M050	5m
164	1200071157	884031E03M060	6m
165	1200071278	884031E03M100	10m
166	1200072365	884031E03M1501	15m
167	1200072011	884031E03M200	20m
168	1200668669	884031H09M006	0.6m
169	1200668846	884031H09M008	0.8m
170	1200668210	884031H09M009	0.9m
171	1200668484	884031H09M010	1m
172	1200668848	884031H09M013	1.3m
173	1200668488	884031H09M015	1.5m
174	1200668845	884031H09M018	1.8m
175	1200668212	884031H09M020	2m
176	1200668847	884031H09M021	2.1m
177	1200668215	884031H09M030	3m
178	1200668670	884031H09M050	5m
179	1200668671	884031H09M100	10m

Pos.	Part No.	Engineering No.	Cable Length
180	1200070526	884031P03M003	0.3m
181	1200070527	884031P03M006	0.6m
182	1200060056	884031P03M010	1m
183	1200060057	884031P03M020	2m
184	1200070529	884031P03M030	3m
185	1200071187	884031P03M050	5m
186	1200072012	884031P03M100	10m
187	1300288001	885031D12M020	2m
188	1200668658	885031E02M020	2m
189	1200668610	885031E02M050	5m
190	1200668660	885031E02M100	10m
191	1200668339	885031E03M006	0.6m
192	1200668189	885031E03M010	1m
193	1200668278	885031E03M020	2m
194	1200668340	885031E03M030	3m
195	1200668279	885031E03M050	5m
196	1200668653	885031E03M070	7m
197	1200668348	885031E03M100	10m
198	1200668761	885031E03M150	15m
199	1200669229	885031H09C250	25m
200	1200668512	885031H09M006	0.6m
201	1200668496	885031H09M010	1m
202	1200668513	885031H09M020	2m
203	1200668514	885031H09M030	3m
204	1200668515	885031H09M050	5m
205	1200668516	885031H09M100	10m
206	1200073085	885031P03M006	0.6m
207	1200668188	885031P03M010	1m
208	1200072376	885031P03M0105	1m
209	1200070917	885031P03M020	2m
210	1200668091	885031P03M025	2.5m
211	1200070919	885031P03M030	3m
212	1200668273	885031P03M050	5m
213	1200073086	885031P03M100	10m
214			
215			
216			

SYMBOLS ▽ = 0 ▽ = 0 ▽ = 0 ▽ = 0 ▽ = 0 ▽ = 0 ▽ = 0 ▽ = 0 ▽ = 0 ▽ = 0 ▽ = 0	THIS DRAWING CONTAINS INFORMATION THAT IS PROPRIETARY TO MOLEX ELECTRONIC TECHNOLOGIES, LLC AND SHOULD NOT BE USED WITHOUT WRITTEN PERMISSION	CURRENT REV DESC:		 CSE M12 XP AC FE RA MA STR XM DE						
	DIMENSION UNITS	SCALE	EC NO: 606310 DRWN: SSM 2018/10/12 CHK'D: SSM 2018/10/22 APPR: RSILLER 2018/10/22							
	mm	1:1	INITIAL REVISION: DRWN: JMARSZALEK 2016/10/06 APPR: RSILLER 2016/12/08			DOCUMENT NUMBER	DOC TYPE	DOC PART	REVISION	
	GENERAL TOLERANCES (UNLESS SPECIFIED)			PRODUCT CUSTOMER DRAWING			1200660973	PSD	000	A2
	ANGULAR TOL ± 1.0°			MATERIAL NUMBER			SEE PART LIST	CUSTOMER		SHEET NUMBER
	4 PLACES ±			THIRD ANGLE PROJECTION			GENERAL MARKET		4 OF 4	
	3 PLACES ±			DRAWING						
	2 PLACES ± 0.05			SERIES						
	1 PLACE ± 0.3			A3-SIZE						
	0 PLACES ± 0.5			120066						
DRAFT WHERE APPLICABLE MUST REMAIN WITHIN DIMENSIONS										

FEMALE PLUG M12 90° ANGLED TO MALE PLUG M12 STRAIGHT

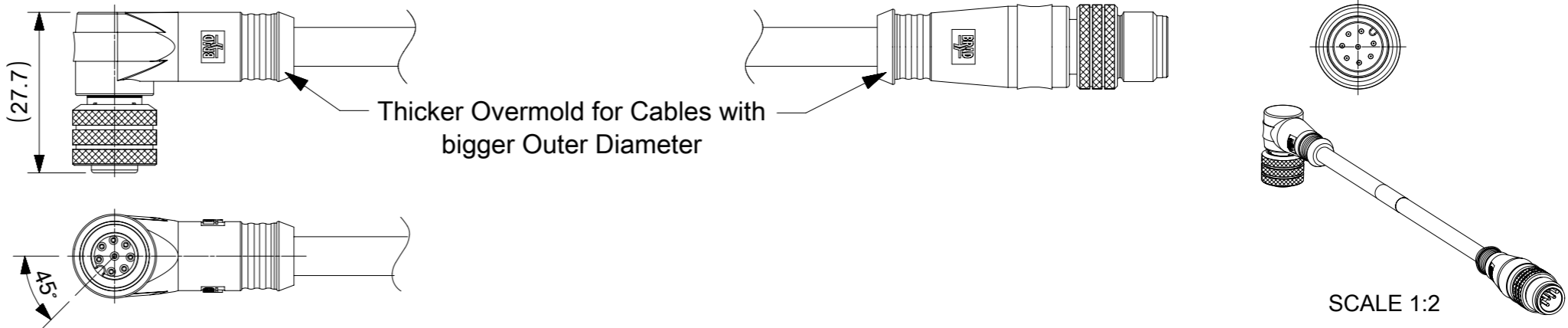


NOTES:

RATED VOLTAGE: 3, 4 contacts 250V per IEC 60664
 5 contacts 60V per IEC 60664
 5 contacts 250V per UL 2238
 8 contacts 30V per IEC 60664

RATED CURRENT: 3, 4, 5 contacts 4A
 8 contacts 2A

PROTECTION CLASS: IP 67
 TEMPERATURE: -25°C / +85°C



CONTACTS POSITION FRONT VIEW:

	3 CONTACTS		4 CONTACTS		5 CONTACTS		8 CONTACTS	
FEMALE								
MALE								
CONNECTIONS	PIN	WIRE	PIN	WIRE	PIN	WIRE	PIN	WIRE
	1	BROWN	1	BROWN	1	BROWN	1	WHITE
	2	---	2	WHITE	2	WHITE	2	BROWN
	3	BLUE	3	BLUE	3	BLUE	3	GREEN
	4	BLACK	4	BLACK	4	BLACK	4	YELLOW
	5	---	5	---	5	GREY	5	GREY
							6	PINK
							7	BLUE
						8	RED	

CODING REQUIRED TO IEC 61076-2-101

FOR OPTIONS SEE - NUMERICAL CODE - ON SHEET 2

ITEM	QTY.	DESCRIPTION	MATERIAL	FINISH
10	1	LABEL YELLOW	VINYL	---
9	3 / 4 / 5 / 8	CONTACT MALE	BRASS	SELECTIVE Au OVER Ni
8	1	INSERT MALE BLACK	TPU	---
7	1	COUPLING NUT MALE	BRASS	NICKEL
6	-	CABLE	SEE SHEET 2	---
5	-	OVERMOULDING BLACK	TPU	---
4	1	COUPLING NUT FEMALE	BRASS	NICKEL
3	1	INSERT FEMALE BLACK	PUR	---
2	1	ORING RED	FPM	---
1	3 / 4 / 5 / 8	CONTACT FEMALE	BRASS	SELECTIVE Au OVER Ni

THIS DRAWING CONTAINS INFORMATION THAT IS PROPRIETARY TO MOLEX ELECTRONIC TECHNOLOGIES, LLC AND SHOULD NOT BE USED WITHOUT WRITTEN PERMISSION

QUALITY SYMBOLS	EC NO: 177711 DRWN: SSM CHK'D: SSM APPR: THAERDT	2017/12/07 2018/06/06 2018/06/06	GENERAL TOLERANCES (UNLESS SPECIFIED) ANGULAR TOL ± 1.0 ° 4 PLACES ± 3 PLACES ± 2 PLACES ± 0.05 1 PLACE ± 0.3 0 PLACES ± 0.5 DRAFT WHERE APPLICABLE MUST REMAIN WITHIN DIMENSIONS	DIMENSION UNITS: mm SCALE: 1:1 DRWN BY: JMARSZALEK DATE: 2016/10/05 CHK'D BY: DATE: APPR BY: RSILLER DATE: 2016/12/08 DRAWING SIZE: A3 THIRD ANGLE PROJECTION	 CSE M12 XP AC FE RA MA STR XM DE PRODUCT CUSTOMER DRAWING SERIES: 120066 MATERIAL NUMBER: SEE SHEET 3 CUSTOMER: GENERAL MARKET DOCUMENT NUMBER: 1200668189 DOC TYPE: PSD DOC PART: 000 SHEET NUMBER: 1 OF 3
-----------------	---	--	--	--	---

ENGINEERING NO. - NUMERICAL CODE (Available parts see PART LIST table. Other parts available upon request).

8 8 X 0 3 1 X X X X X X X X

OPTIONS

88=Micro-Change
M12x1
Double ended

Contacts:
3=3 Contacts
4=4 Contacts
5=5 Contacts
8=8 Contacts

Heads style:
031=Plug Female 90°
to Plug Male Straight

Cable type: See Table

Units:
M=Meter
C=Centimeter

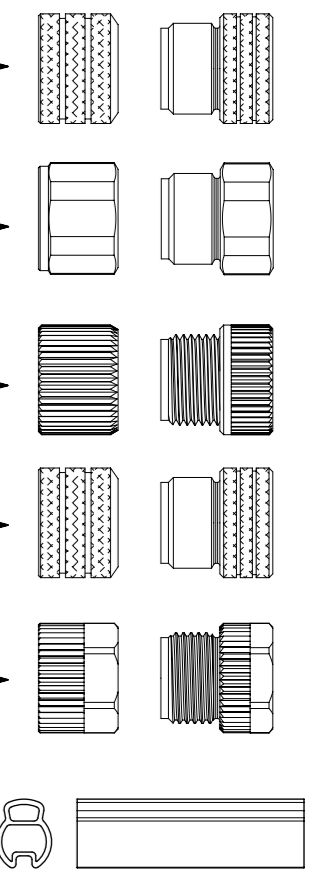
Length
Examples:
005=0.5 unit
010=1 unit
100=10 units

Overmold color:
Blank (Standard)=Black
A=Grey / G=Black / Y=Yellow

Coupling Nut:
Blank (Standard)=Knurled Brass Ni Plated
1=Hexagonal Stainless steel
5=Knurled Delrin
7=Knurled Brass Ni Plated, Teflon Coated
9=Knurled / Hexagonal Brass Ni Plated SW13

H= 2 pcs. of I/D Carrier PVC Transparent

COUPLING NUT
FEMALE MALE



CABLE INFORMATION (for more information see Cable Data Sheet).

CABLE TYPE	NO. OF WIRES	CROSS SECTION	CABLE JACKET	UL	CSA	STATIC: TEMP. / BENDING RADIUS	DYNAMIC: TEMP. / BENDING RADIUS	DRAG CHAIN	SHIELD
E02	3 / 4 / 5 / 8	0.25mm ²	PVC BLACK	UL 2464/1729	C22.2 I/II A/B 80°/300V	-30°C to +80°C, >10xO.D.	-10°C to +80°C, 15xO.D.	-	-
E03	3 / 4 / 5	0.34mm ²	PVC BLACK	UL 2464/1729	C22.2 I/II A/B 80°/300V	-30°C to +80°C, >10xO.D.	-10°C to +80°C, >15xO.D.	-	-
H08	3 / 4 / 5 / 8	0.25mm ²	PUR BLACK LS0H	UL 21198/10493	C22.2 I/II A/B 80°/300V	-40°C to +80°C, >5xO.D.	-25°C to +80°C, >10xO.D.	2 000 000 cycles, Temp max 60°C	-
H09	3 / 4 / 5	0.34mm ²	PUR BLACK LS0H	UL 21198/10493	C22.2 I/II A/B 80°/300V	-40°C to +80°C, >5xO.D.	-25°C to +80°C, >10xO.D.	2 000 000 cycles, Temp max 60°C	-
P02	3 / 4 / 5 / 8	0.25mm ²	PUR / PVC BLACK	-	-	-30°C to +80°C, >7xO.D.	-5°C to +80°C, >15xO.D.	-	-
P03	3 / 4 / 5	0.34mm ²	PUR / PVC BLACK	-	-	-30°C to +80°C, >7xO.D.	-5°C to +80°C, >15xO.D.	-	-

CABLE LENGTH TOLERANCES

OVER	UP TO AND INCLUDING	TOLERANCES
0	305mm	+19mm
305mm	915mm	+45mm
915mm	1830mm	+56mm
1830mm	3660mm	+89mm
3660mm	7320mm	+165mm
7320mm	14640mm	+317mm
14640mm	30500mm	+610mm
30500mm	>	+2% of finished length

THIS DRAWING CONTAINS INFORMATION THAT IS PROPRIETARY TO MOLEX ELECTRONIC TECHNOLOGIES, LLC AND SHOULD NOT BE USED WITHOUT WRITTEN PERMISSION

QUALITY SYMBOLS FA = 0 FE = 0 FB = 0 FC = 0 FD = 0 FE = 0 FF = 0 FG = 0 FH = 0	EC NO: 177711 DRWN: SSM CHK'D: SSM APPR: THAERDT	2017/12/07 2018/06/06 2018/06/06	GENERAL TOLERANCES (UNLESS SPECIFIED) ANGULAR TOL ± 1.0 ° 4 PLACES ± 3 PLACES ± 2 PLACES ± 0.05 1 PLACE ± 0.3 0 PLACES ± 0.5	DIMENSION UNITS: mm SCALE: 1:1 DRWN BY: JMARSZALEK DATE: 2016/10/05 CHK'D BY: DATE: APPR BY: RSILLER DATE: 2016/12/08	<p>CSE M12 XP AC FE RA MA STR XM DE</p> <p>PRODUCT CUSTOMER DRAWING</p> <p>SERIES: 120066 MATERIAL NUMBER: SEE SHEET 3 CUSTOMER: GENERAL MARKET</p> <p>DOCUMENT NUMBER: 1200668189 DOC TYPE: PSD DOC PART: 000 SHEET NUMBER: 2 OF 3</p>
	DRAFT WHERE APPLICABLE MUST REMAIN WITHIN DIMENSIONS	DRAWING SIZE: A3 THIRD ANGLE PROJECTION			
	RELEASE STATUS: P1 RELEASE DATE: 2018/06/06 10:54:58				
	FORMAT: master-ib-prod-A3 REVISION: 15 DATE: 2015/12/14				

PART LIST


No.	Part No.	Engineering No.	Cable Length
1	1200060056	884031P03M010	1m
2	1200060057	884031P03M020	2m
3	1200070118	883031E03M006	0.6m
4	1200070119	883031E03M010	1m
5	1200070121	883031E03M020	2m
6	1200070123	883031E03M030	3m
7	1200070125	883031E03M050	5m
8	1200070127	883031E03M100	10m
9	1200070140	883031P03M003	0.3m
10	1200070141	883031P03M006	0.6m
11	1200070142	883031P03M010	1m
12	1200070143	883031P03M020	2m
13	1200070144	883031P03M030	3m
14	1200070145	883031P03M050	5m
15	1200070146	883031P03M100	10m
16	1200070507	884031E03M003	0.3m
17	1200070508	884031E03M006	0.6m
18	1200070509	884031E03M010	1m
19	1200070511	884031E03M020	2m
20	1200070512	884031E03M030	3m
21	1200070526	884031P03M003	0.3m
22	1200070527	884031P03M006	0.6m
23	1200070529	884031P03M030	3m
24	1200070904	884031E03M050	5m
25	1200070917	885031P03M020	2m
26	1200070919	885031P03M030	3m
27	1200070945	883031E03M015	1.5m
28	1200071121	883031P03M010H	1m
29	1200071157	884031E03M060	6m
30	1200071187	884031P03M050	5m
31	1200071278	884031E03M100	10m
32	1200072011	884031E03M200	20m
33	1200072012	884031P03M100	10m
34	1200072164	883031E03M040	4m
35	1200072365	884031E03M1501 *	15m

No.	Part No.	Engineering No.	Cable Length
36	1200072376	885031P03M0105	1m
37	1200072445	883031E03M020H	2m
38	1200072575	888031P02M030	3m
39	1200072708	888031P02M060	6m
40	1200073085	885031P03M006	0.6m
41	1200073086	885031P03M100	10m
42	1200658319	888031H08M050	5m
43	1200658762	883031H09M006	0.6m
44	1200658763	883031H09M010	1m
45	1200658764	883031H09M020	2m
46	1200658765	883031H09M030	3m
47	1200658766	883031H09M040	4m
48	1200658767	883031H09M050	5m
49	1200658768	883031H09M100	10m
50	1200658909	888031H08M010	1m
51	1200659035	883031E02M050	5m
52	1200661436	888031P02M100	10m
53	1200661620	888031P02M020	2m
54	1200661626	888031P02M010	1m
55	1200668091	885031P03M025	2.5m
56	1200668175	883031E03M060	6m
57	1200668188	885031P03M010	1m
58	1200668189	885031E03M010	1m
59	1200668190	888031P02M200	20m
60	1200668210	884031H09M009	0.9m
61	1200668212	884031H09M020	2m
62	1200668215	884031H09M030	3m
63	1200668273	885031P03M050	5m
64	1200668278	885031E03M020	2m
65	1200668279	885031E03M050	5m
66	1200668324	883031P03M010G	1m
67	1200668325	883031P03M020G	2m
68	1200668326	883031P03M030G	3m
69	1200668339	885031E03M006	0.6m
70	1200668340	885031E03M030	3m

No.	Part No.	Engineering No.	Cable Length
71	1200668348	885031E03M100	10m
72	1200668361	884031E03M015	1.5m
73	1200668484	884031H09M010	1m
74	1200668488	884031H09M015	1.5m
75	1200668496	885031H09M010	1m
76	1200668512	885031H09M006	0.6m
77	1200668513	885031H09M020	2m
78	1200668514	885031H09M030	3m
79	1200668515	885031H09M050	5m
80	1200668516	885031H09M100	10m
81	1200668520	883031P03M070	7m
82	1200668608	883031E02M020	2m
83	1200668610	885031E02M050	5m
84	1200668612	883031E02M100	10m
85	1200668613	883031E02M030	3m
86	1200668635	883031E03M010Y	1m
87	1200668636	883031E03M020Y	2m
88	1200668653	885031E03M070	7m
89	1200668658	885031E02M020	2m
90	1200668660	885031E02M100	10m
91	1200668669	884031H09M006	0.6m
92	1200668670	884031H09M050	5m
93	1200668671	884031H09M100	10m
94	1200668673	888031E02M0041	0.4m
95	1200668753	883031P03M020H	2m
96	1200668761	885031E03M150	15m
97	1200668845	884031H09M018	1.8m
98	1200668846	884031H09M008	0.8m
99	1200668847	884031H09M021	2.1m
100	1200668848	884031H09M013	1.3m
101	1200668849	888031P02M150	15m
102	1200668908	883031E03M003H	0.3m
103	1200668909	883031E03M006H	0.6m
104	1200668910	883031E03M010H	1m
105	1200668911	883031E03M030H	3m

Pos.	Part No.	Engineering No.	Cable Length
106	1200668912	883031E03M050H	5m
107	1200668967	883031E03M015H	1.5m
108	1200668968	883031E03M040H	4m
109	1200669229	885031H09C250	0.25m
110	1200669260	884031E03M030H	3m
111	1200656208	888031H08C250	0.25m
112	1200656209	888031H08M005	0.5m
113	1200656210	888031H08M008	0.8m
114	1200656211	888031H08M012	1.2m
115	1200656212	888031H08M015	1.5m
116			
117			
118			
119			
120			
121			
122			
123			
124			
125			
126			
127			
128			
129			
130			
131			
132			
133			
134			
135			
136			
137			
138			
139			
140			

NOTES:
* - Part No. with Yellow PVC overmolding

QUALITY SYMBOLS □ = 0 □ = 0 □ = 0 ▼ = 0 □ = 0 □ = 0 □ = 0 □ = 0 □ = 0				THIS DRAWING CONTAINS INFORMATION THAT IS PROPRIETARY TO MOLEX ELECTRONIC TECHNOLOGIES, LLC AND SHOULD NOT BE USED WITHOUT WRITTEN PERMISSION				DIMENSION UNITS mm		SCALE 1:1							
EC NO: 177711 DRWN: SSM CHK'D: SSM APPR: THAERDT		2017/12/07 2018/06/06 2018/06/06		GENERAL TOLERANCES (UNLESS SPECIFIED) ANGULAR TOL ± 1.0 ° 4 PLACES ± 3 PLACES ± 2 PLACES ± 0.05 1 PLACE ± 0.3 0 PLACES ± 0.5		DRWN BY JMARSZALEK		DATE 2016/10/05		CSE M12 XP AC FE RA MA STR XM DE							
				DRAFT WHERE APPLICABLE MUST REMAIN WITHIN DIMENSIONS		APPR BY RSILLER		DATE 2016/12/08		PRODUCT CUSTOMER DRAWING							
A1		REV		DRAWING SIZE A3		THIRD ANGLE PROJECTION		SERIES 120066		MATERIAL NUMBER SEE PART LIST		CUSTOMER GENERAL MARKET					
RELEASE STATUS P1				RELEASE DATE 2018/06/06				DOCUMENT NUMBER 1200668189				DOC TYPE PSD		DOC PART 000		SHEET NUMBER 3 OF 3	

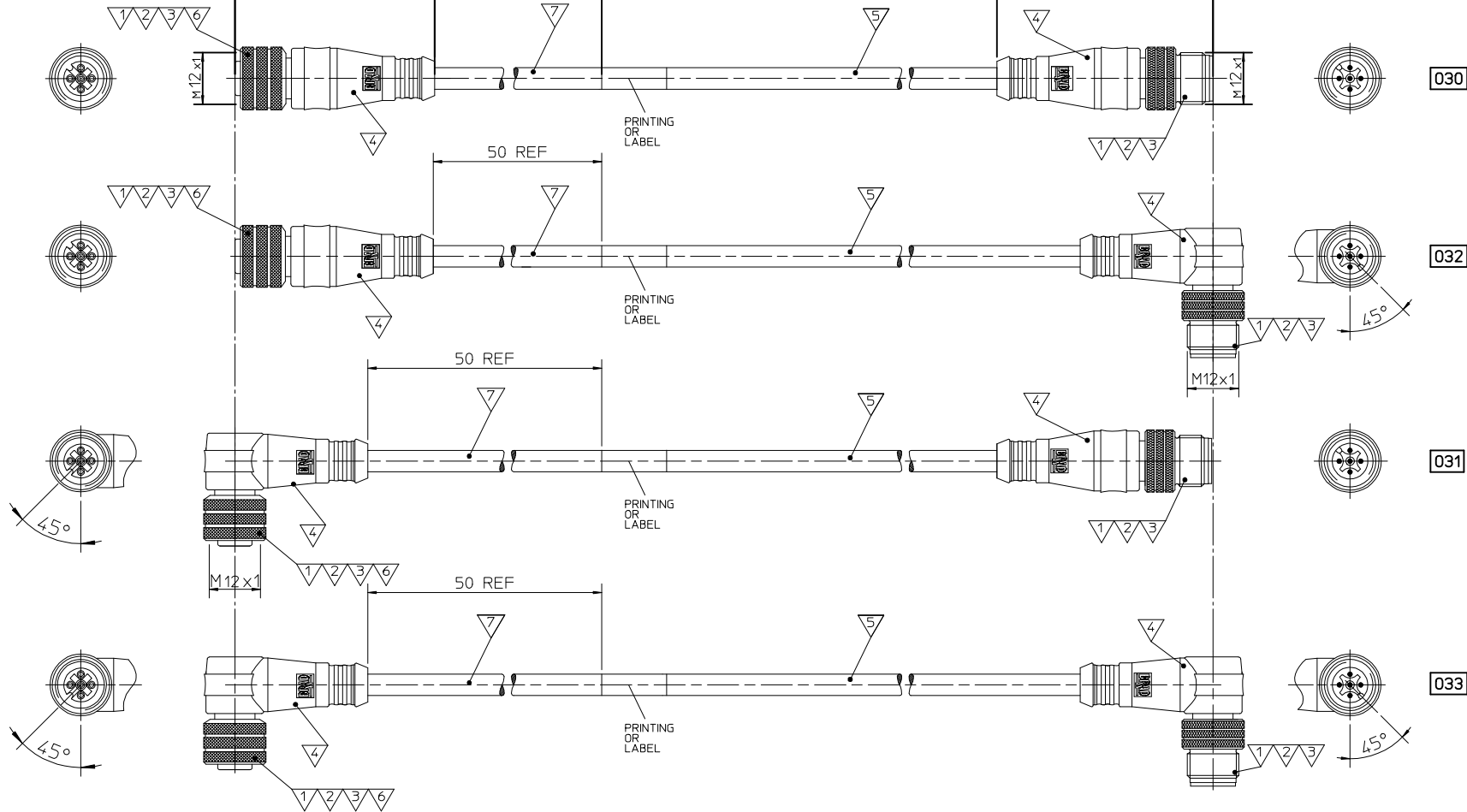
S1

FEMALE SIDES
FACE VIEWS

FINISHED LENGTH (SEE TABLE)

MALE SIDES
FACE VIEWS

S2



CONNECTOR SPECIFICATION:

VOLTAGE RATING	3+4P 250 VAC/VDC / 5P/60V
AMPERAGE RATING	max. 4 AMPS
PROTECTION	IP67
OPERATING TEMPERATURE	-25°C TO 80°C

6	O-RING	VITON	RED
5	CABLE	SEE TABLE	---
4	OVERMOULDING	TPU UF NATURAL C98A10	---
4	OVERMOULDING	MASTERBATCH COLORANT	---
3	COUPLING NUT	SEE SPECIAL TYPES	---
2	PIN CONTACT	COPPER ALLOY	GOLD OR NICKEL PLATED
1	INSERT	PUR	BLACK
ITEM	PART	MATERIAL	FINISH

ORIGINAL RELEASE
EC NO: IPG2013-1417
DRWN:MDYSZEWSKA 2013/03/11
CHKD:JMARSZALEK 2013/03/11
APPR:MIWASIECZKO 2013/03/12

QUALITY SYMBOLS
▽=0
◻=0

GENERAL TOLERANCES (UNLESS SPECIFIED)

	mm	INCH
4 PLACES	± ---	± ---
3 PLACES	± ---	± ---
2 PLACES	± ---	± ---
1 PLACE	± ---	± ---
0 PLACE	± ---	± ---

ANGULAR ±---°
DRAFT WHERE APPLICABLE
MUST REMAIN WITHIN DIMENSIONS

DIMENSION STYLE
MM ONLY

DRAWN BY	DATE
HWALCZAK	2012/11/22
CHECKED BY	DATE
JMARSZALEK	2013/01/14
APPROVED BY	DATE
MIWASIECZKO	2013/01/15

MATERIAL NO.
SEE CHART

SCALE
DESIGN UNITS
METRIC

FIRST ANGLE PROJECTION

TITLE
CSE M12 XP AC FE MA
XM DE

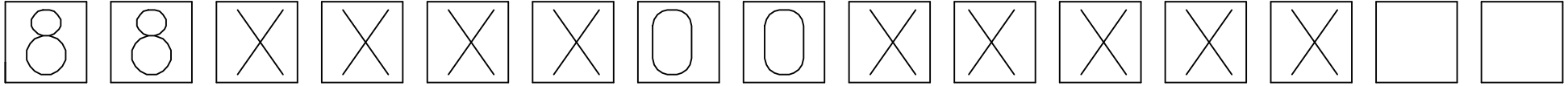
molex

DOCUMENT NO.
SD-120066-001

SHEET NO.
1 OF 6

THIS DRAWING CONTAINS INFORMATION THAT IS PROPRIETARY TO MOLEX INCORPORATED AND SHOULD NOT BE USED WITHOUT WRITTEN PERMISSION

SPECIAL TYPES



Thread M12x1 double ended

POLES
 3- INSERT 3 POLES
 4- INSERT 4 POLES
 5- INSERT 5 POLES

HEAD TYPE
 030 Plugs female and male straight
 031 Plugs female 90° and male straight
 032 Plugs female straight and male 90°
 033 Plugs female and male 90°

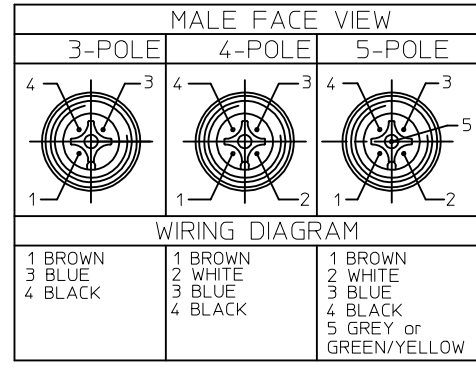
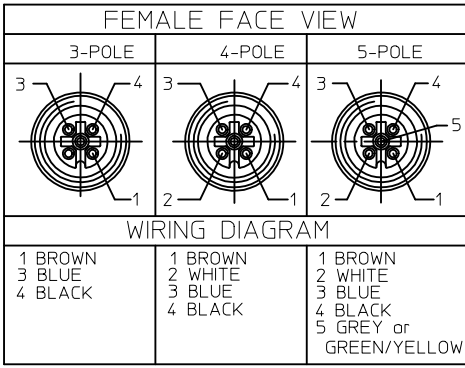
CABLE TYPES
 E02 = 0,25mm², PVC black
 E03 = 0,34mm², PVC black
 E13 = 0,75mm², PVC yellow
 E52 = 0,34mm², PVC grey (RAL7001)
 E57 = 0,34mm², PVC grey (RAL7001)
 H09 = 0,34mm², PUR black
 H69 = 0,2mm², PUR grey LSOH SCR
 I02 = 0,25mm², PVC grey CEI
 I03 = 0,34mm², PVC grey CEI
 I20 = 0,34mm², PVC grey CEI SCR DC
 I26 = 0,34mm², PVC grey CEI SCR AC
 P02 = 0,25mm², PUR/PVC black
 P03 = 0,34mm², PUR/PVC black
 P08 = 0,25mm², PUR yellow HIFLEX
 P20 = 0,34mm², PUR black LSOH braid
 P82 = 0,34mm², PUR orange irradiated DC
 S20 = 0,34mm², PVC yellow SJTO braid
 S26 = 0,34mm², PVC yellow SJTO braid AC

LENGTH UNIT
 C-cm
 M-m
 K-km
 F-feet

LENGTH
 Example:
 020 - 2M
 060 - 6M
 100 - 10M

COUPLING NUT
 blank and 3-standard (BRASS)
 1 - STAINLESS STEEL
 5 - DELRIN
 7 - TEFLON COAT

PLUG MATERIAL
 blank-standard (BLACK)
 A-GREY
 Y-YELLOW
 H-standard with ID carrier



Tablica tolerancji dlugosci
 Table of length tolerances

Powyzej Over	Do-wlacznie Up to and including	Tolerancja (+) Tolerance
0	305	+19
305	915	+45
915	1830	+56
1830	3660	+89
3660	7320	+165
7320	14640	+317
14640	30500	+610
30500	>	+2% dlugosci of length

ORIGINAL RELEASE EC NO: IPG2013-1417 DRWN: MDYSZEWSKA 2013/03/11 CHKD: JMARSZALEK 2013/03/11 APPR: MIWASIECZKO 2013/03/12	QUALITY SYMBOLS ▽=0 ∇=0	GENERAL TOLERANCES (UNLESS SPECIFIED)	DIMENSION STYLE MM ONLY	SCALE	DESIGN UNITS METRIC	FIRST ANGLE PROJECTION	
		mm INCH	DRAWN BY DATE HWALCZAK 2012/11/22	TITLE	CSE M12 XP AC FE MA XM DE		
		4 PLACES ± --- ± --- 3 PLACES ± --- ± --- 2 PLACES ± --- ± --- 1 PLACE ± --- ± --- 0 PLACE ± --- ± ---	CHECKED BY DATE JMARSZALEK 2013/01/14	APPROVED BY DATE MIWASIECZKO 2013/01/15			
		ANGULAR ± --- °	MATERIAL NO. SEE CHART	DOCUMENT NO. SD-120066-001			
A1	DRAFT WHERE APPLICABLE MUST REMAIN WITHIN DIMENSIONS	THIS DRAWING CONTAINS INFORMATION THAT IS PROPRIETARY TO MOLEX INCORPORATED AND SHOULD NOT BE USED WITHOUT WRITTEN PERMISSION					

10 9 8 7 6 5 4 3 2 1


1200072580	883030A51M006
1200668662	883030E02M006
1200070081	883030E03M006
1200070083	883030E03M010
1200070085	883030E03M020
1200070086	883030E03M0205
1200071006	883030E03M020H
1200070088	883030E03M030
1200668370	883030E03M040
1200070091	883030E03M050
1200070092	883030E03M0505
1200070093	883030E03M100
1200668208	883030E03M150
1200071343	883030E52M003A
1200070956	883030E52M020A
1200668373	883030H09M006
1200668374	883030H09M010
1200668197	883030H09M020
1200668375	883030H09M030
1200668376	883030H09M040
1200668198	883030H09M050
1200668377	883030H09M100
1200070095	883030I03M003
1200070096	883030I03M006
1200070097	883030I03M010
1200070098	883030I03M020
1200668632	883030I03M020Y
1200070099	883030I03M030
1200668696	883030I03M030A
1200668633	883030I03M030Y
1200668371	883030I03M040
1200070100	883030I03M050
1200668697	883030I03M050A
1200668634	883030I03M050Y
1200070101	883030I03M100

1200668698	883030I03M100A
1200668699	883030I03M200A
1200070102	883030P03M003
1200668045	883030P03M005
1200070104	883030P03M006
1200070104	883030P03M006
1200660498	883030P03M010
1200071123	883030P03M010H
1200668691	883030P03M010YH
1200660500	883030P03M020
1200071131	883030P03M0201
1200071114	883030P03M020H
1200668690	883030P03M020YH
1200660501	883030P03M030
1200660501	883030P03M030
1200071122	883030P03M030H
1200668646	883030P03M030HY
1200072104	883030P03M040
1200660502	883030P03M050
1200071047	883030P03M050H
1200071288	883030P03M060
1200070105	883030P03M100
1200071273	883030P03M100H
1200072658	883030P03M120
1200071053	883030P03M150
1200071666	883030P08M100
1200071666	883030P08M100
1200071127	883030P09M006
1200070972	883030P09M020
1200668310	883030S20M005
1200070110	883030S20M010
1200070111	883030S20M020
1200668172	883030S20M050
1200072390	884030A51M0031
1200668661	884030E02M0031

1200070470	884030E03M003
1200665009	884030E03M005
1200668672	884030E03M0051
1200070472	884030E03M006
1200070473	884030E03M010
1200668062	884030E03M010H
1200071594	884030E03M015
1200070474	884030E03M020
1200071703	884030E03M0205
1200071774	884030E03M020H
1200070475	884030E03M030
1200072092	884030E03M040
1200060049	884030E03M050
1200072744	884030E03M0501
1200071707	884030E03M0505
1200072172	884030E03M050H
1200071596	884030E03M060
1200070476	884030E03M100
1200071881	884030E03M1005
1200072544	884030E03M120
1200071715	884030E03M150
1200071793	884030E03M1501
1200071199	884030E03M200
1200071026	884030E52M010A
1200661434	884030E52M020A
1200071624	884030E52M030A
1200661472	884030E52M050A
1200070867	884030E52M100A
1200070653	884030E52M200A
1200668378	884030H09M006
1200668548	884030H09M006H
1200668379	884030H09M010
1200668549	884030H09M010H
1200668234	884030H09M020
1200668486	884030H09M023

1200668174	884030H09M030
1200668380	884030H09M040
1200668244	884030H09M050
1200668550	884030H09M050H
1200668381	884030H09M100
1200070774	884030I03M006
1200070480	884030I03M010
1200070481	884030I03M020
1200071627	884030I03M0205
1200668637	884030I03M020Y
1200070785	884030I03M030
1200668372	884030I03M040
1200070483	884030I03M050
1200070484	884030I03M060
1200070485	884030I03M100
1200668638	884030I03M100Y
1200071338	884030I20M030
1200070486	884030P03M003
1200070486	884030P03M003
1200668687	884030P03M005
1200070487	884030P03M006
1200070487	884030P03M006
1200070488	884030P03M010
1200070488	884030P03M010
1200072762	884030P03M0101
1200072649	884030P03M0105
1200668384	884030P03M010H
1200060050	884030P03M015
1200060050	884030P03M015
1200070489	884030P03M020
1200070489	884030P03M020
1200072763	884030P03M0201
1200060051	884030P03M030
1200060051	884030P03M030
1200072764	884030P03M0301

1200072803	884030P03M040
1200072803	884030P03M040
1200070490	884030P03M050
1200070490	884030P03M050
1200072650	884030P03M0505
1200072010	884030P03M050H
1200072804	884030P03M060
1200072804	884030P03M060
1200071029	884030P03M100
1200071029	884030P03M100
1200665031	884030P03M100H
1200072105	884030P03M200
1200072105	884030P03M200
1200665370	884030P03M205G
1200658808	884030P04M100
1200071412	884030P08M010
1200071412	884030P08M010
1200072047	884030P09M0201
1200668505	884030P20M010
1200668506	884030P20M020
1200668507	884030P20M050
1200668508	884030P20M100
1200071501	884030P82M003
1200071067	884030P82M0037
1200070494	884030P82M005
1200071162	884030P82M006
1200071162	884030P82M006
1200071066	884030P82M0067
1200668643	884030P82M0067Y
1200070798	884030P82M010
1200668349	884030P82M0101
1200071068	884030P82M0107
1200668644	884030P82M0107Y
1200071582	884030P82M015
1200071069	884030P82M0157

ORIGINAL RELEASE EC NO: IPG2013-1417 DRW:MD/SZEWKA 2013/03/11 CHKD: JMARSZALEK 2013/03/11 APPR: MIWASIECZKO 2013/03/12	QUALITY SYMBOLS	GENERAL TOLERANCES (UNLESS SPECIFIED)		DIMENSION STYLE MM ONLY		SCALE	DESIGN UNITS METRIC	FIRST ANGLE PROJECTION	
	▽=0 ◻=0	mm	INCH	DRAWN BY HWALCZAK	DATE 2012/11/22	TITLE CSE M12 XP AC FE MA XM DE			
		4 PLACES ± --- ± ---	3 PLACES ± --- ± ---	CHECKED BY JMARSZALEK	DATE 2013/01/14				
		2 PLACES ± --- ± ---	1 PLACE ± --- ± ---	APPROVED BY MIWASIECZKO	DATE 2013/01/15				
	0 PLACE ± --- ± ---	ANGULAR ± --- °		MATERIAL NO.	DOCUMENT NO.				
		DRAFT WHERE APPLICABLE MUST REMAIN WITHIN DIMENSIONS		SEE CHART		SD-120066-001			SHEET NO. 3 OF 6
		THIS DRAWING CONTAINS INFORMATION THAT IS PROPRIETARY TO MOLEX INCORPORATED AND SHOULD NOT BE USED WITHOUT WRITTEN PERMISSION							

9 8 7 6 5 4 3 2 1

	10	9	8	7	6	5	4	3	2	1	
F	1200070799	884030P82M020	1200072341	885030A51M050	1200668683	885030H09M150	1200060048	883031A51M050	1200070511	884031E03M020	F
	1200072601	884030P82M0201	1200072341	885030A51M050	1200668684	885030H09M200	1200060052	884031I20M005	1200070512	884031E03M030	
	1200071088	884030P82M0207	1200072342	885030A51M100	1200070961	885030I03M030	1200060053	884031I20M010	1200070522	884031I03M020	
	1200668645	884030P82M0207Y	1200668664	885030E02M010	1200668642	885030I03M030Y	1200060054	884031I20M015	1200070523	884031I03M030	
	1200071580	884030P82M030	1200668657	885030E02M020	1200668165	885030I03M100	1200060055	884031I20M020	1200070526	884031P03M003	
	1200071647	884030P82M0307	1200668609	885030E02M050	1200072106	885030I26M005	1200060056	884031P03M010	1200070526	884031P03M003	
	1200071428	884030P82M0407	1200668708	885030E02M050Y	1200668082	885030I26M006	1200060056	884031P03M010	1200070527	884031P03M006	
	1200071254	884030P82M050	1200668656	885030E02M100	1200070890	885030I26M010	1200060057	884031P03M020	1200070527	884031P03M006	
	1200668067	884030P82M0507	1200071500	885030E03M005	1200668639	885030I26M010Y	1200060057	884031P03M020	1200070529	884031P03M030	
	1200668187	884030P82M050H	1200668338	885030E03M006	1200072359	885030I26M015	1200070118	883031E03M006	1200070529	884031P03M030	
E	1200668391	884030P82M060	1200070906	885030E03M010	1200070891	885030I26M020	1200070119	883031E03M010	1200070534	884031S20M030	E
	1200668391	884030P82M060	1200668530	885030E03M010H	1200668640	885030I26M020Y	1200070121	883031E03M020	1200070651	884031I03M006	
	1200718014	884030P82M0607	1200070970	885030E03M020	1200668281	885030I26M025	1200070123	883031E03M030	1200070768	884031S20M050	
	1200658167	884030P82M080	1200668528	885030E03M020H	1200070892	885030I26M030	1200070125	883031E03M050	1200070783	884031S20M100H	
	1200070937	884030P82M100	1200070586	885030E03M030	1200668641	885030I26M030Y	1200070127	883031E03M100	1200070904	884031E03M050	
	1200668517	884030P82M1007	1200072081	885030E03M035	1200071279	885030I26M050	1200070132	883031I03M003	1200070917	885031P03M020	
	1200071272	884030S20M005	1200071948	885030E03M040	1200668083	885030P03M005	1200070133	883031I03M006	1200070919	885031P03M030	
	1200071237	884030S20M005H	1200070969	885030E03M050	1200071947	885030P03M007	1200070134	883031I03M010	1200070945	883031E03M015	
	1200071178	884030S20M006H	1200072697	885030E03M060	1200668084	885030P03M010	1200070136	883031I03M020	1200071010	884031P82M100	
D	1200668068	884030S20M010	1200668652	885030E03M070	1200070596	885030P03M020	1200070137	883031I03M030	1200071096	884031P82M0037	D
	1200071035	884030S20M010H	1200071583	885030E03M080	1200668602	885030P03M020G	1200070138	883031I03M050	1200071121	883031P03M010H	
	1200071238	884030S20M015H	1200668347	885030E03M100	1200668086	885030P03M0283	1200070140	883031P03M003	1200071138	884031S20M010H	
	1200070499	884030S20M020	1200668674	885030E03M150	1200071408	885030P03M030	1200070141	883031P03M006	1200071139	884031S20M020H	
	1200071141	884030S20M020H	1200668487	885030E03M200	1200668163	885030P03M040	1200070142	883031P03M010	1200071143	884031P82M0107	
	1200070500	884030S20M030	1200668521	885030E03M250	1200071049	885030P03M050	1200070143	883031P03M020	1200071144	884031P82M0207	
	1200071137	884030S20M030H	1200668081	885030E57M100A	1200073049	885030P03M0501	1200070144	883031P03M030	1200071157	884031E03M060	
	1200071264	884030S20M040H	1200665054	885030E85M200	1200668088	885030P03M070	1200070145	883031P03M050	1200071164	884031S20M003H	
	1200070502	884030S20M050	1200665054	885030E85M200	1200071284	885030P03M100	1200070146	883031P03M100	1200071179	884031S20M006H	
	1200071188	884030S20M050H	1200668509	885030H09M006	1200072656	885030P03M120	1200070149	883031P09M020	1200071183	884031S20M030H	
	1200070023	884030S20M060H	1200668497	885030H09M010	1200668238	885030P03M200	1200070152	883031S20M010	1200071187	884031P03M050	
	1200070504	884030S20M100	1200668500	885030H09M020	1200072427	885030P09M050	1200070153	883031S20M020	1200071187	884031P03M050	
	1200071161	884030S20M100H	1200668510	885030H09M030	1200665012	885030P82M030	1200070156	883031S20M050	1200071189	884031S20M050H	
	1200668294	885030A51M010	1200668501	885030H09M050	1200070597	885030S26M010	1200070507	884031E03M003	1200071200	884031S20M015H	
	1200668294	885030A51M010	1200668502	885030H09M092	1200668090	885030S26M020H	1200070508	884031E03M006	1200071236	884031S20M005H	
	1200072353	885030A51M020	1200668511	885030H09M100	1200060048	883031A51M050	1200070509	884031E03M010	1200071278	884031E03M100	

ORIGINAL RELEASE EC NO: IPG2013-1417 DRWN:MD/SZEWSKA 2013/03/11 CHKD:JMARSZALEK 2013/03/11 APPR:MIWASIECZKO 2013/03/12	QUALITY SYMBOLS	GENERAL TOLERANCES (UNLESS SPECIFIED)		DIMENSION STYLE MM ONLY		SCALE	DESIGN UNITS METRIC	FIRST ANGLE PROJECTION	
	▽=0 ◻=0	mm	INCH	DRAWN BY	DATE	TITLE	CSE M12 XP AC FE MA XM DE		
		4 PLACES ± --- ± ---	HWALCZAK	2012/11/22					
		3 PLACES ± --- ± ---	CHECKED BY	DATE					
	2 PLACES ± --- ± ---	JMARSZALEK	2013/01/14						
	1 PLACE ± --- ± ---	APPROVED BY	DATE						
	0 PLACE ± --- ± ---	MIWASIECZKO	2013/01/15						
	ANGULAR ± --- °	MATERIAL NO.	DOCUMENT NO.	SEE CHART		SD-120066-001		SHEET NO. 4 OF 6	
	DRAFT WHERE APPLICABLE MUST REMAIN WITHIN DIMENSIONS	SIZE A3	THIS DRAWING CONTAINS INFORMATION THAT IS PROPRIETARY TO MOLEX INCORPORATED AND SHOULD NOT BE USED WITHOUT WRITTEN PERMISSION						

	10	9	8	7	6	5	4	3	2	1	
F	1200071280	884031S20M040H	1200072696	883031S20M010H	1200668258	883031I03M080	1200668666	884031P82M0107Y	1200072838	884032P03M003	F
	1200071318	884031P82M0067	1200072725	885031I26M005	1200668259	884031I20M003	1200668667	884031I20M030Y	1200072879	883032H09M010	
	1200071341	884031I20M030	1200072726	885031I26M010	1200668273	885031P03M050	1200668669	884031H09M006	1200665032	884032E03M020	
	1200071493	883031P82M050	1200072772	884031H03M009	1200668278	885031E03M020	1200668670	884031H09M050	1200665040	884032H69M100	
	1200071575	884031P82M006	1200072772	884031H03M009	1200668279	885031E03M050	1200668671	884031H09M100	1200668007	883032I03M010	
	1200071575	884031P82M006	1200072779	884031P09M0405	1200668287	884031I20M025	1200070026	884032P03M020	1200668053	883032E03M100	
	1200071576	884031P82M010	1200658762	883031H09M006	1200668324	883031P03M010G	1200070158	883032E03M003	1200668054	883032P03M005	
	1200071577	884031P82M015	1200658763	883031H09M010	1200668325	883031P03M020G	1200070159	883032E03M006	1200668072	884032E03M006	
	1200071578	884031P82M030	1200658764	883031H09M020	1200668326	883031P03M030G	1200070160	883032E03M010	1200668073	884032E03M010	
	1200071579	884031P82M050	1200658765	883031H09M030	1200668339	885031E03M006	1200070161	883032E03M020	1200668074	884032E03M050	
E	1200071581	884031P82M020	1200658766	883031H09M040	1200668340	885031E03M030	1200070166	883032I03M006	1200668075	884032E03M100	E
	1200071617	883031P09M0205	1200658767	883031H09M050	1200668348	885031E03M100	1200070171	883032P03M006	1200668076	884032H69M030	
	1200071832	884031I20M050	1200658768	883031H09M100	1200668361	884031E03M015	1200070172	883032P03M010	1200668077	884032P82M0037	
	1200071833	884031I20M100	1200659035	883031E02M050	1200668392	884031P82M060	1200070173	883032P03M020	1200668078	884032P82M0207	
	1200071893	884031S20M100	1200659070	884031I20M010Y	1200668484	884031H09M010	1200070174	883032P03M030	1200668092	885032E03M020	
	1200071994	885031P82M030	1200659071	884031I20M015Y	1200668488	884031H09M015	1200070184	883032S20M010	1200668093	885032P03M030	
	1200072011	884031E03M200	1200659072	884031I20M020Y	1200668496	885031H09M010	1200070185	883032S20M020	1200668161	884032S20M030	
	1200072012	884031P03M100	1200659115	884031I20M005Y	1200668512	885031H09M006	1200070547	884032P03M0105	1200668173	884032E03M1501	
	1200072012	884031P03M100	1200660383	884031S20M010	1200668513	885031H09M020	1200070841	884032E52M020A	1200668177	884032S20M020	
	1200072030	884031P09M010	1200665007	884031P82M0157	1200668514	885031H09M030	1200070907	884032S20M050	1200668200	884032E03M1001	
D	1200072164	883031E03M040	1200665037	883031P09M015	1200668515	885031H09M050	1200070914	884032P03M050	1200668205	883032E03M050	D
	1200072187	883031P09M0505	1200665039	884031S20M003	1200668516	885031H09M100	1200071014	884032E03M030	1200668206	883032E03M150	
	1200072220	883031A51M020	1200665053	884031S20M060H	1200668520	883031P03M070	1200071271	885032E03M010	1200668223	884032E03M200	
	1200072220	883031A51M020	1200668052	883031S20M006	1200668531	884031P82M0507	1200071277	884032E52M010A	1200668267	884032P82M0107	
	1200072221	883031A51M100	1200668071	884031S20M020	1200668532	884031P82M1007	1200071407	884032P03M010	1200668268	883032E03M200	
	1200072221	883031A51M100	1200668091	885031P03M025	1200668608	883031E02M020	1200071519	884032P03M006	1200668282	884032P82M0157	
	1200072354	885031A51M020	1200668175	883031E03M060	1200668610	885031E02M050	1200071520	884032P03M030	1200668290	884032H09M020	
	1200072355	885031A51M050	1200668188	885031P03M010	1200668612	883031E02M100	1200072163	884032E03M0501	1200668307	884032E03M1005	
	1200072355	885031A51M050	1200668189	885031E03M010	1200668613	883031E02M030	1200072213	884032P03M1005	1200668308	884032E03M2005	
C	1200072356	885031A51M100	1200668191	883031S20M030	1200668635	883031E03M010Y	1200072294	883032P03M0305	1200668309	884032E03M1205	C
	1200072365	884031E03M1501	1200668212	884031H09M020	1200668636	883031E03M020Y	1200072378	883032E03M060	1200668311	884032H69M010	
	1200072376	885031P03M0105	1200668215	884031H09M030	1200668647	884031P82M0067Y	1200072424	884032I03M003	1200668312	884032H69M050	
	1200072445	883031E03M020H	1200668221	884031P82M040	1200668653	885031E03M070	1200072577	885032P03M003	1200668341	883032P03M050	
	1200072447	883031A51M030	1200668237	883031S20M100	1200668658	885031E02M020	1200072705	883032P03M060	1200668343	884032P82M0067	
	1200072447	883031A51M030	1200668247	884031P82M005	1200668660	885031E02M100	1200072738	884032A51M050	1200668345	884032P03M002G	

ORIGINAL RELEASE EC NO: IPG2013-1417 DRW:MD/SZEWKA 2013/03/11 CHKD:JMARSZALEK 2013/03/11 APPR:MIWASIECZKO 2013/03/12	QUALITY SYMBOLS ▽=0 ◻=0	GENERAL TOLERANCES (UNLESS SPECIFIED)		DIMENSION STYLE MM ONLY		SCALE	DESIGN UNITS METRIC	FIRST ANGLE PROJECTION			
				mm	INCH	DRAWN BY HWALCZAK	DATE 2012/11/22	TITLE CSE M12 XP AC FE MA XM DE			
				4 PLACES	± ---	± ---	CHECKED BY JMARSZALEK	DATE 2013/01/14	molex		
				3 PLACES	± ---	± ---	APPROVED BY MIWASIECZKO	DATE 2013/01/15			
		2 PLACES	± ---	± ---	MATERIAL NO.		DOCUMENT NO.	SHEET NO.			
		1 PLACE	± ---	± ---	SEE CHART		SD-120066-001	5 OF 6			
		0 PLACE	± ---	± ---	DRAFT WHERE APPLICABLE MUST REMAIN WITHIN DIMENSIONS		THIS DRAWING CONTAINS INFORMATION THAT IS PROPRIETARY TO MOLEX INCORPORATED AND SHOULD NOT BE USED WITHOUT WRITTEN PERMISSION				

