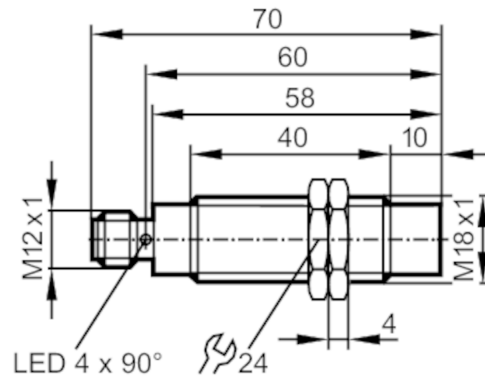


IGS209



Inductive sensor

IGKC012-ASKG/M/US-104-DRS/2LED




Electrical data		
Operating voltage	[V]	10...30 DC
Current consumption	[mA]	12; (24 V)
Protection class		II
Reverse polarity protection		yes
Outputs		
Output function		normally open
Max. voltage drop switching output DC	[V]	2.8
Minimum load current	[mA]	2; (only in 2-wire operation)
Max. leakage current	[mA]	0.5; (only in 2-wire operation)
Permanent current rating of switching output DC	[mA]	100
Switching frequency DC	[Hz]	300
Electrical design		PNP/NPN
Short-circuit protection		yes
Type of short-circuit protection		pulsed
Overload protection		yes
Detection zone		
Sensing range	[mm]	12
Real sensing range Sr	[mm]	12 ± 10 %
Operating distance	[mm]	0...9.7
Increased sensing range		yes
Accuracy / deviations		
Correction factor		steel: 1 / stainless steel: 0.7 / brass: 0.5 / aluminium: 0.4 / copper: 0.3
Hysteresis	[% of Sr]	3...15
Switch point drift	[% of Sr]	-10...10

IGS209



Inductive sensor

IGKC012-ASKG/M/US-104-DRS/2LED

Operating conditions		
Ambient temperature	[°C]	-25...70
Protection		IP 67
Tests / approvals		
EMC	EN 61000-4-2 ESD	4 kV CD / 8 kV AD
	EN 61000-4-3 HF radiated	10 V/m
	EN 61000-4-4 Burst	2 kV
	EN 61000-4-6 HF conducted	10 V
	EN 55011	class B
MTTF	[years]	1359
UL approval	Ta	0...40 °C
	Enclosure type	Type 1
	voltage supply	Unlimited Voltage
	File number UL	E174191
Mechanical data		
Weight	[g]	54.6
Housing		threaded type
Mounting		non-flush mountable
Dimensions	[mm]	M18 x 1 / L = 70
Thread designation		M18 x 1
Materials		brass white bronze coated; sensing face: PBT
Displays / operating elements		
Display	switching status	4 x 90° LED, yellow
	setting aid	1 x LED, red
Optical setting aid		yes
Accessories		
Accessories (supplied)		lock nuts: 2
Remarks		
Remarks		suitable for PLC type 1 according to IEC 61131-2
Pack quantity		1 pcs.
Electrical connection - plug		
Connector: 1 x M12; Contacts: gold-plated		
		

IGS209



Inductive sensor

IGKC012-ASKG/M/US-104-DRS/2LED

2-wire

