



Model Number

TC1200-1000

CCD barcode scanner

Features

- CCD line scanner
- Small, compact design
- Programmable via Windows software

Accessories

CAB-TC1200

Adapter cable TC1200 on connection box

CBX100

Connector box for barcode scanner

Other suitable accessories can be found at www.pepperl-fuchs.com

Technical Data

General specifications

| | |
|---------------|--|
| Light type | 4 Red LED, 630 nm |
| Symbologies | EAN/UPC, Code 39, Code 32, Code 128, GS1-128, ISBT 128, Interleaved and Standard 2 of 5, Codabar, ABC Codabar, GS1 Databar (Omnidirectional, Limited, Expanded), Code 93, Code 11, MSI |
| Scan rate | 320 s ⁻¹ |
| Read distance | 50 ... 430 mm |
| Optical face | frontal |
| Resolution | 0.1 mm (4 mils) |

Nominal ratings

| | |
|------------------|-------------|
| Camera | |
| Type | CCD |
| Number of pixels | 3648 pixels |

Indicators/operating means

| | |
|---------------------|--|
| Operation indicator | Power on |
| Function indicator | LED signals the successful read-in of a barcode (GOOD READ) LED Trigger |
| Control elements | Button for manual triggering |

Electrical specifications

| | | |
|-------------------|----------------|-----------|
| Operating voltage | U _B | 5 V ± 5 % |
| Operating current | | 350 mA |
| Power consumption | P ₀ | 1.75 W |

Interface

| | |
|----------------|---------------|
| Interface type | serial RS 232 |
|----------------|---------------|

Input

| | |
|-------------|---|
| Input type | Optocoupler |
| Number/Type | 1 trigger input (Internal or external power supply) |

Output

| | |
|-------------------|--|
| Number/Type | 2 electronic outputs controllable per software |
| Switching voltage | max. 30 V DC |
| Switching current | max. 30 mA |

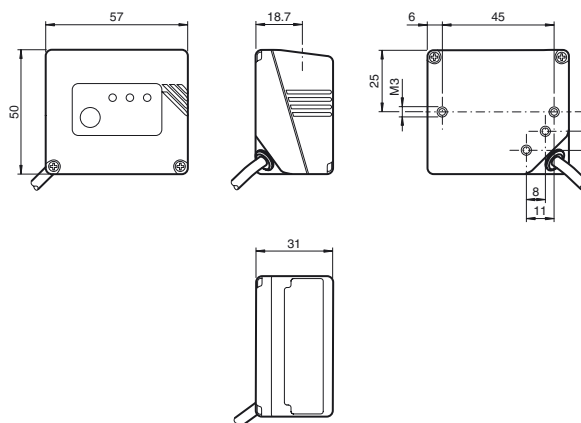
Ambient conditions

| | |
|----------------------|---|
| Ambient temperature | 0 ... 50 °C (32 ... 122 °F) |
| Storage temperature | -20 ... 70 °C (-4 ... 158 °F) |
| Relative humidity | 90 % , noncondensing |
| Shock resistance | IEC 68-2-27 Test EA 30G; 11 ms; 3 impacts on each axis |
| Vibration resistance | IEC 68-2-6 Test FC 1.5 mm ; 10 ... 55 Hz ; 2 hours on each axis |

Mechanical specifications

| | | |
|-------------------|--|--------|
| Protection degree | IP64 | |
| Connection | fixed cable with 9-pin Sub-D connector | |
| Material | | |
| Housing | Plastic ABS | |
| Cable | | |
| Length | L | 100 cm |
| Mass | | 120 g |

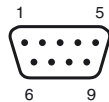
Dimensions



Electrical connection

| Pin | Name | Function |
|-----|--------------|------------------------|
| 1 | VCC+ | Operating voltage + |
| 2 | GND | Operating voltage - |
| 3 | RX | RS 232 receive data |
| 4 | TX | RS 232 transmit data |
| 5 | OUT1+ | Output1 + |
| 6 | OUT1/2- | Output1/2 - |
| 7 | OUT2+ | Output2 + |
| 8 | Ext. TRIG. A | External trigger input |
| 9 | Ext. TRIG. B | External trigger input |

Pinout



Curves / diagrams

Reading characteristics

