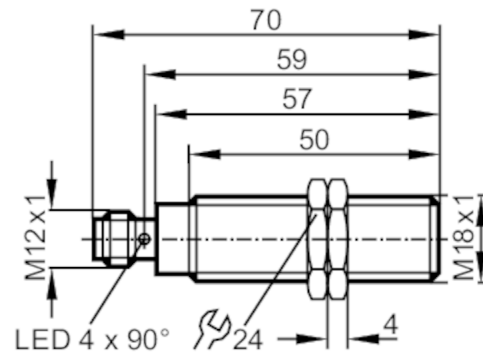


IGT247



Inductive full-metal sensor

IGK3005-BPKG/AM/US-104-DPS



Made in Germany


Application	
Pressure rating	[bar] 100
Note on pressure rating	sensing face
Electrical data	
Operating voltage	[V] 10...36 DC
Current consumption	[mA] < 20
Protection class	III
Reverse polarity protection	yes
Outputs	
Output function	normally open
Max. voltage drop switching output DC	[V] 2.5
Permanent current rating of switching output DC	[mA] 100
Switching frequency DC	[Hz] 100
Electrical design	PNP
Short-circuit protection	yes
Type of short-circuit protection	pulsed
Overload protection	yes
Range	
Sensing range	[mm] 5
Operating distance	[mm] 0...4.05
Accuracy / deviations	
Correction factor	steel: 1 / stainless steel: 0.7 / brass: 0.6 / aluminium: 0.5 / copper: 0.3
Hysteresis	[% of Sr] 1...20
Operating conditions	
Ambient temperature	[°C] 0...100
Protection	IP 68; IP 69K

IGT247



Inductive full-metal sensor

IGK3005-BPKG/AM/US-104-DPS

Tests / approvals		
EMC	EN 61000-4-2 ESD	4 kV CD / 8 kV AD
	EN 61000-4-3 HF radiated	10 V/m
	EN 61000-4-4 Burst	2 kV
	EN 61000-4-6 HF conducted	10 V
	EN 55011 emission	class B
Impact resistance	DIN EN 60068-2-75 Ehc	1 J
MTTF	[years]	1606
Mechanical data		
Weight	[g]	57.2
Housing		threaded type
Mounting		flush mountable
Dimensions	[mm]	M18 x 1 / L = 70
Thread designation		M18 x 1
Materials		housing: stainless steel (1.4404 / 316L); sensing face: stainless steel (1.4404 / 316L); lock nuts: stainless steel (1.4404 / 316L)
Full-metal housing		yes
Displays / operating elements		
Display	switching status	4 x 90° LED, yellow
Accessories		
Accessories (supplied)		lock nuts: 2
Remarks		
Pack quantity		1 pcs.
Electrical connection		
Connector: 1 x M12; Kontakte: gold-plated		
		

IGT247

Inductive full-metal sensor

IGK3005-BPKG/AM/US-104-DPS



Connection

