

**ITEM 084902 N01D550-M**

Description	Technical data	Accessories	Downloads
-------------	----------------	-------------	-----------



**Features**

- › Plunger material stainless steel

**Mechanical values and environment**

Housing material	Anodized die-cast alloy
Weight	Net 0,07 kg
Ambient temperature	-5 ... 80 °C
Degree of protection	IP67
Mechanical life	10 x 10 <sup>6</sup>
Contact material	Silver alloy, gold flashed
Switching principle	Changeover contact with snap-action function
Installation position	Any
Number of door position NC contacts	1 Changeover contact
Number of door position NO contacts	1 Changeover contact
Connection	

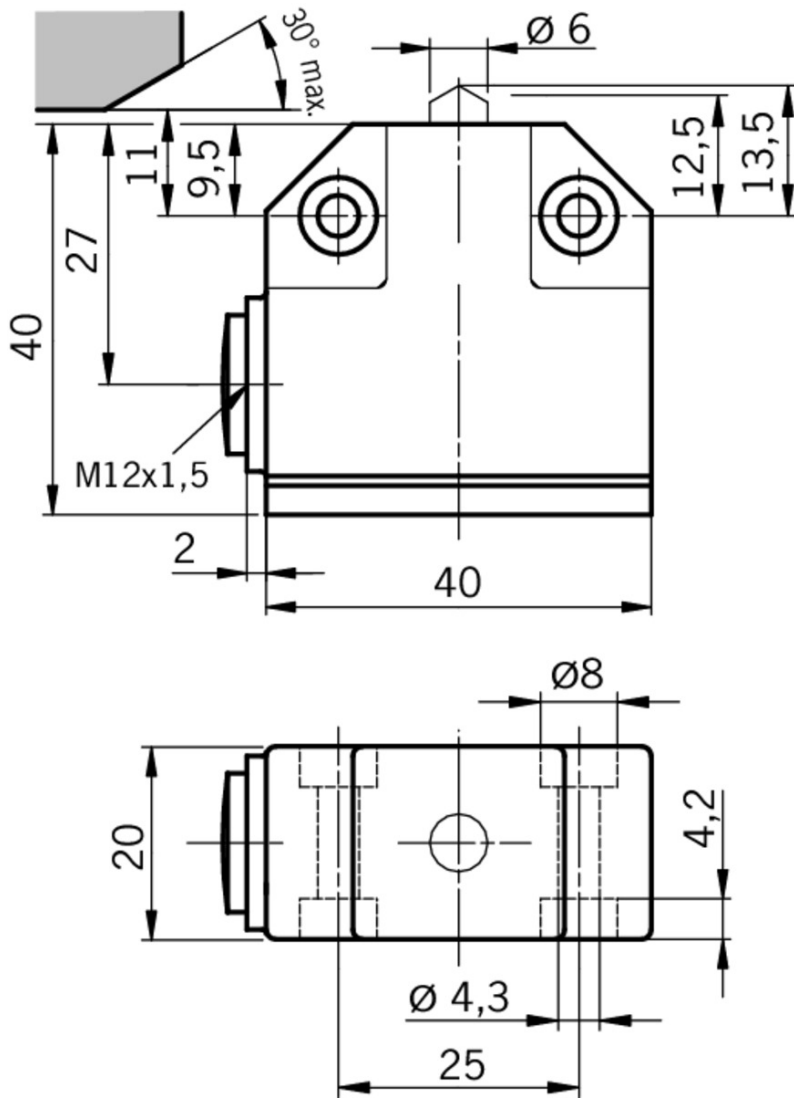
	1 x	M12 x 1.5
Approach speed		
	max.	0,01 ... 20 m/min
Actuating element		Chisel plunger
Actuating force		15 ... 20 N

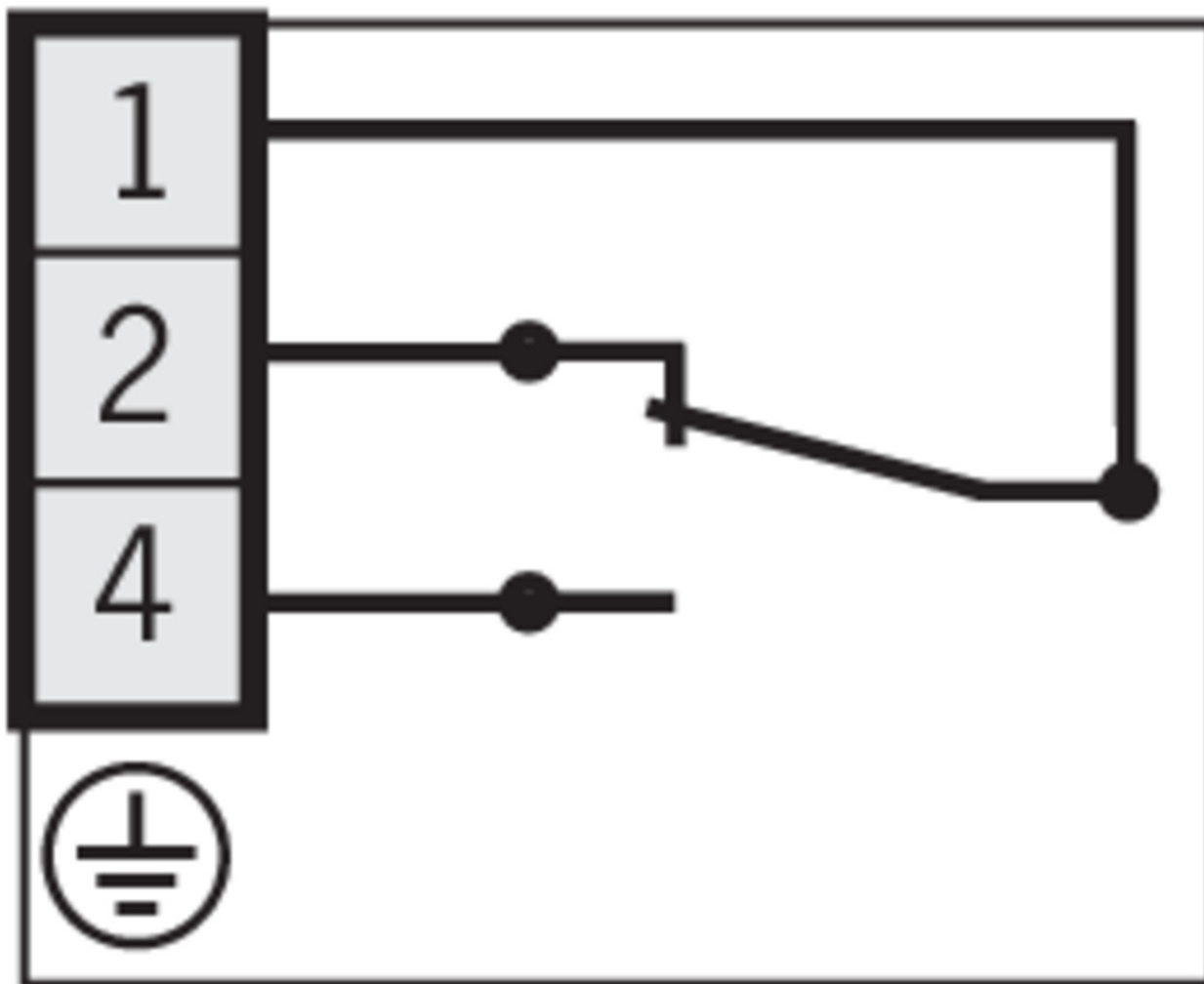
### Electrical connection ratings

rated thermal current $I_{th}$		6 A
Utilization category according to EN 60947-5-1		
	AC-15	2A 230V
	DC-13	2A 24V
Short circuit protection according to IEC 60269-1		
	(Fuse)	6A gG
Rated insulation voltage $U_i$		250 V
Rated impulse withstand voltage $U_{imp}$		2,5 kV
Switching current		
	Min. at DC 24V	10 mA
Connection cross-section		0,14 ... 1 mm <sup>2</sup> <b>[1]</b>

**[1]** Soldered connection

Dimension drawing





### Instructions

- Operating Instructions Precision Single Limit Switches N01/NB01/SN01

	Doc. no.	Version	Language	Download
Betriebsanleitung Präzisions-Einzelgrentaster N01/NB01/SN01	105376	05-12/15		2.0 MB
Operating Instructions Precision Single Limit Switches N01/NB01/SN01				
Manual de instrucciones Finales de carrera unitarios de precisión N01/NB01/SN01				
Mode d'emploi Monopistes de précision N01/NB01/SN01				
Istruzioni di impiego Finecorsa di precisione singoli N01/NB01/SN01				

### Catalogs

- Position Switches

Doc. no. Version Language Download

Positionsschalter	094549	11-01/17		 1.8 MB
Position Switches	094550	11-01/17		 1.8 MB
Interrupteurs de position	111607	11-01/17		 1.8 MB

### **CAD data**

CAD data for this item on TraceParts