



BTL7-abcd-Mnnnn-f-ij-lm

BTL7

Magnetostrictive linear position sensor Generation 7

a interface

C = Current output 0 ... 20 mA
E = Current output 4 ... 20 mA

b Operating voltage

5 = 10 ... 30 V

c + d Interface characteristic 1 + 2

01 = 2 outputs, each 1 x rising/falling settable/
programmable
00 = 1 output, rising
70 = 1 output, falling

Mnnnn Nominal length (4-position)

M0500 = metric in mm
(M0025...M7620: for rod diameter 10.2 mm)

f Style

J = Flange 18h6

i Variant

DEX = Ignition protection category "d" / pressure-proof
encapsulation

j Variant characteristic

C = float plug

**l + m connection type + connection type
characteristic 1**

TA12 = Clamp with 1/2"-14 NPT (cable entry)

Basic features

Approval/Conformity	CE CSA IECEX EAC WEEE
Ex marking	ATEX: II 1/2GD Ex d IIC T6 Ga/ Gb Ex t IIIC T85°C Da IP68 -50°C ≤ Ta ≤ +70°C II 1/2GD Ex d IIC T5 Ga/Gb Ex t IIIC T100°C Da IP68 -50°C ≤ Ta ≤ +80°C EAC: 1 Ex d IIC T6 Ga/Gb X Ex ta IIIC T85°C Da X IP68 -50°C ≤ Ta ≤ +70°C 1 Ex d IIC T5 Ga/Gb X Ex ta IIIC T100°C Da X IP68 -50°C ≤ Ta ≤ +80°C IECEX: Ex d IIC T6 Ga/Gb Ex t IIIC T85°C Da IP68 Tamb -50°C to +70°C Ex d IIC T5 Ga/Gb Ex t IIIC T100°C Da IP68 Tamb -50°C to +80°C NEC: Class I, Division 1, Groups ABCD Class II, Division 1, Groups EFG Class III Enclosure Type 4X/6P Class I, Zone 1, AEx d IIC T* Ga/ Gb Ex d IIC T* Gb IP68 -50 °C to +70 °C (T6) or -50 °C to +80 °C (T5)
Magnets, number (factory setting)	1
Magnets, number max.	cd ≠ 10: 1 cd = 10: 2

Electrical connection

Polarity reversal protected	Ub up to 36 V
Short-circuit protection	to GND and to 36 V DC

Electrical data

Current consumption max. at 24 V DC	xyz ≠ E501: ≤ 150 mA xyz = E501: ≤ 180 mA
Inrush current	n timer 1525: ≤ 500 mA/10 ms n timer ≥ 1525: ≤ 500 mA/25 ms
Load resistance RL max.	500 Ohm
Operating voltage Ub	10...30 VDC
Output signal adjustable	cd ≠ 01: Setting aid and programming inputs cd = 01: Setting aid and software tool
Overvoltage protection	Ub up to 36 V
Switch-on delay max.	n timer 1525: 600 ms n timer ≥ 1525: 800 ms
Voltage-proof up to (GND to housing)	1000 V DC

Environmental conditions

Ambient temperature	-40...80 °C
EN 55016-2-3, Radiation	For industrial and residential use
EN 60068-2-27, Continuous shock	100 g, 2 ms
EN 60068-2-27, Shock	100 g, 6 ms
EN 60068-2-6, Vibration	12 g, 10...2000 Hz
EN 61000-4-2, ESD	Severity Level 3
EN 61000-4-3, RFI	Severity Level 3
EN 61000-4-4, Burst	Severity Level 3
EN 61000-4-5, Surge	Severity Level 2
EN 61000-4-6, High-frequency fields	Severity Level 3
EN 61000-4-8 Magnetic fields	Severity Level 4
IP rating	IP68
Relative humidity	≤ 90 %, non-condensing
Storage temperature	-50...85 °C
Surface temperature max.	85 °C
Temperature coefficient typ.	≤ 30 ppm/K at 50% of nominal stroke 500mm

Functional safety

MTTF (40 °C)	58 a
---------------------	------

Material

Material flange	Stainless steel (1.4404)
Protection tube material	Stainless steel (1.4571)

Mechanical data

Installation length from contact surface	n timer + 128 mm
Pressure rating max.	600 bar
Pressure rating, note	when installed in hydraulic cylinder
Speed detectable max.	10 m/s
Tightening torque max.	3.5 Nm

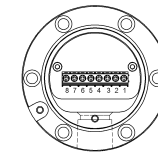
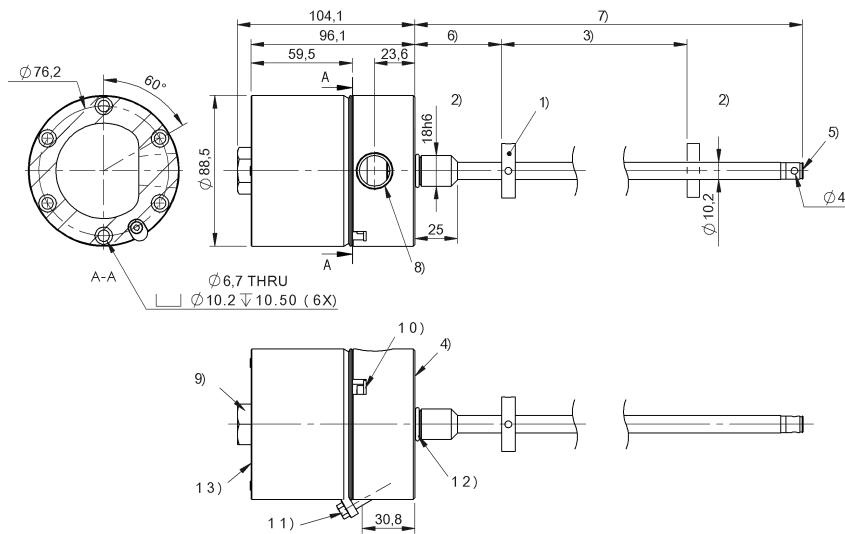
Output/Interface

Interface	Analog, current
------------------	-----------------

Range/Distance

Linearity deviation	n timer = 0050...0500: ± 50 µm n timer = 0501...5500: ± 0.01% FS n timer 5500: ± 0.02% FS
Measuring length	25...7620 mm
Repeat accuracy	± 5 µm
Sampling frequency max.	n timer = 0050...0250: 4000 Hz n timer = 0251...0600: 2000 Hz n timer = 0601...1300: 1000 Hz n timer = 1301...2700: 500 Hz n timer = 2701...5500: 250 Hz n timer 5500: 180 Hz

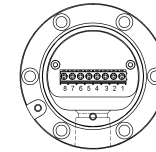
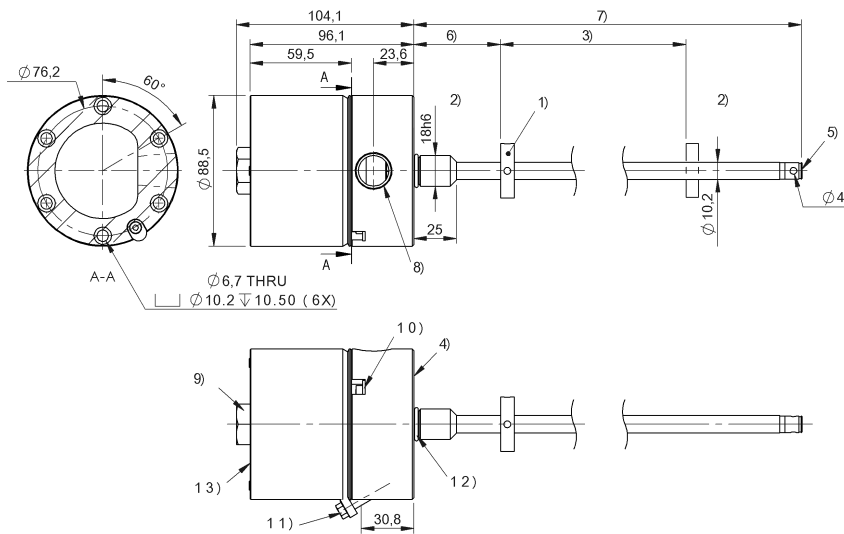
BTL7-E501-Mxxxx-J-DEXC-TA12



Pin	
1	4...20 mA
2	0V
3	20...4 mA
4	GND
5	+10...30 V DC
6	NC
7	La
8	Lb

- 1) not included in scope of delivery
- 2) Non-usable area
- 3) Nominal length = Measuring length
- 4) Mounting surface
- 5) Internal threads M4x4/6 deep
- 6) Null point
- 7) Installation length
- 8) 1/2" - 14 NPT (cable entry)
- 9) 15/16" or 24 mm wrench
- 10) External Housing GND
- 11) Cover fastening screw
- 12) O-ring
- 13) Part label, metal

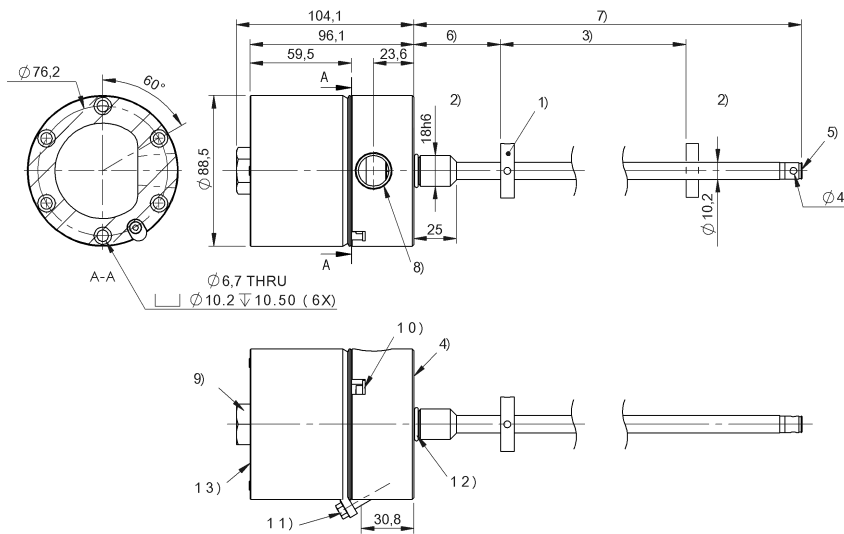
BTL7-E500-Mxxxx-J-DEXC-TA12



Pin	
1	4...20 mA
2	0V
3	NC
4	GND
5	+10...30 V DC
6	NC
7	La
8	Lb

- 1) not included in scope of delivery
- 2) Non-usable area
- 3) Nominal length = Measuring length
- 4) Mounting surface
- 5) Internal threads M4x4/6 deep
- 6) Null point
- 7) Installation length
- 8) 1/2" - 14 NPT (cable entry)
- 9) 15/16" or 24 mm wrench
- 10) External Housing GND
- 11) Cover fastening screw
- 12) O-ring
- 13) Part label, metal

BTL7-E570-Mxxxx-J-DEXC-TA12



Pin	
1	20..4 mA
2	0V
3	NC
4	GND
5	+10...30 V DC
6	NC
7	La
8	Lb

- 1) not included in scope of delivery
- 2) Non-usable area
- 3) Nominal length = Measuring length
- 4) Mounting surface
- 5) Internal threads M4x4/6 deep
- 6) Null point
- 7) Installation length
- 8) 1/2" - 14 NPT (cable entry)
- 9) 15/16" or 24 mm wrench
- 10) External Housing GND
- 11) Cover fastening screw
- 12) O-ring
- 13) Part label, metal