

MST 1-PHASE CONTROL AND ISOLATION TRANSFORMER

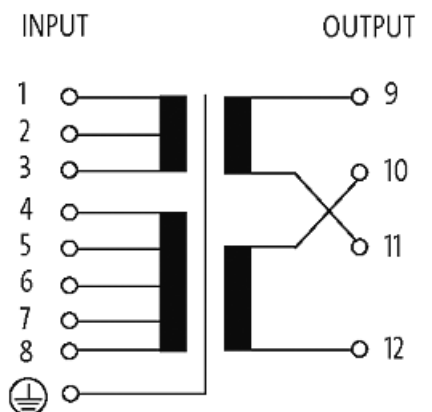
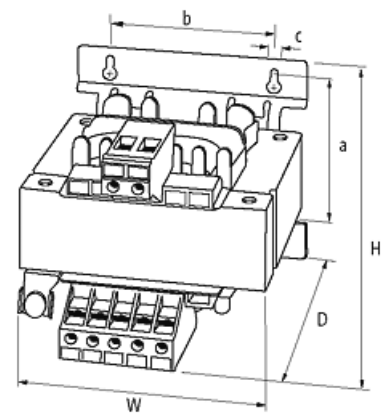
P: 250VA IN: 208...550VAC OUT: 2x115VAC

Single-phase - Control and Isolation Transformers

250 VA

Isolation class T 40/B

Other voltages on request.

[Link to Product](#)**Illustration**

Product may differ from Image

Approvals

The information in this brochure has been compiled with the utmost care.

Liability for the correctness completeness and topicality of the information is restricted to gross negligence. Version: 10/20

Murrelektronik Ltd. | 5 Albion Street, Pendlebury Industrial Estate, Swinton | Manchester M27 4FG | Fon +44 161 728 3133 | Fax +44 161 728 3130 | shop@murrelektronik.co.uk | shop.murrelektronik.co.uk

**Input**

Input voltage	208, 230, 380, 400, 420, 440, 460, 480, 500, 525, 550 V AC
Input current	1.36 A (208 V AC); 0.51 A (550 V AC)
Inrush current	26 A (208 V AC); 9.6 A (550 V AC)
Short-circuit current	25 A (208 V AC); 9.2 A (550 V AC)
Frequency	50...60 Hz

General data

Standards	EN 61558-1, EN 61558-2-4, EN 62041 category 0
Test isolation voltage	4 kV (prim./sec.)
Mounting method	Key-hole mounting
Fixing centers a×b×c	74.4×90 mm
Drill hole Ø	5.8×10 mm
Dimensions H×W×D	104×120×122 mm
Temperature range	-20...+40 °C (storage temperature -20...+80 °C)

Output

Output voltage	1× 230, 1× 115, 2× 115 V AC
Output rating	250 VA

Commercial data

country of origin	CZ
customs tariff number	85043180
EAN	4048879444729
eClass	27031302
Packaging unit	1