



LD-PeCo-5,5

LD-PeCo

2D LASER SCANNERS

SICK
Sensor Intelligence.



Ordering information

| Type | Part no. |
|-------------|----------|
| LD-PeCo-5,5 | 1023382 |

Other models and accessories → www.sick.com/LD-PeCo



Detailed technical data

Features

| | |
|--|-------------------|
| Version | Mid Range |
| Field of application | Indoor |
| Light source | Infrared (905 nm) |
| Laser class | 1, eye-safe |
| Aperture angle | 90° |
| Scanning frequency | 10 Hz |
| Operating range | 2.5 m ... 5.5 m |
| Max. range with 10 % reflectivity | 5.5 m |
| Corridor width | 1 m ... 26 m |

Performance

| | |
|--------------------------------|-----------------|
| Detectable object shape | Almost any |
| Integrated application | People counting |
| Max. throughput speed | ≤ 2.4 m/s |

Interfaces

| | |
|---------------------------|-----------------------------|
| Serial (RS-422) | ✓ |
| Data transmission rate | 19,200 Baud |
| Switching outputs | 2 („Count IN“, „Count OUT“) |
| Optical indicators | 4 LEDs (Status display) |

Mechanics/electronics

| | |
|-------------------------------|---|
| Electrical connection | 1 x 10-pin terminal strip on internal circuit board |
| Operating voltage | ≤ 24 V DC, ± 15 % |
| Power consumption | 36 W |
| Housing | Polystrol |
| Housing color | White aluminum (RAL 9006) |
| Enclosure rating | IP 40 (DIN 40 050) |
| Weight | 6 kg |
| Dimensions (L x W x H) | 340 mm x 350 mm x 180 mm |

Ambient data

| | |
|--|-----------------------------|
| Electromagnetic compatibility (EMC) | EN 61000-6-3 / EN 61000-6-1 |
| Ambient operating temperature | 0 °C ... +40 °C |
| Storage temperature | -20 °C ... +80 °C |
| Permissible relative humidity | 85 %, Non-condensing |

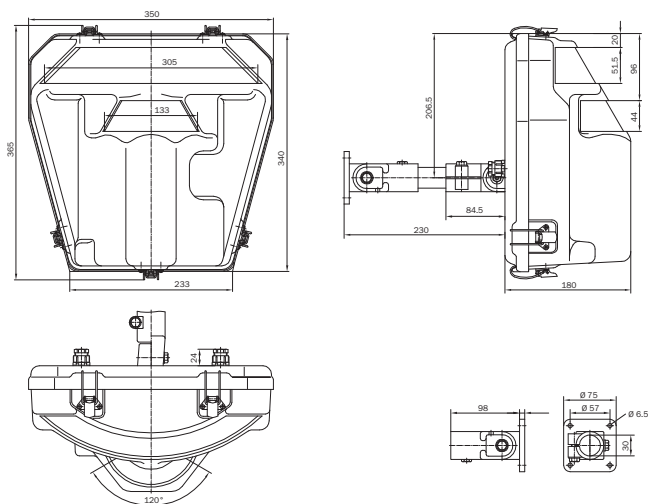
General notes

| | |
|-------------------------|---------------------------------------|
| Life cycle phase | Discontinued |
| Note on use | Not suitable for personnel protection |

Classifications


| | |
|-----------------------|----------|
| ECl@ss 5.0 | 27270990 |
| ECl@ss 5.1.4 | 27270990 |
| ECl@ss 6.0 | 27270913 |
| ECl@ss 6.2 | 27270913 |
| ECl@ss 7.0 | 27270913 |
| ECl@ss 8.0 | 27270913 |
| ECl@ss 8.1 | 27270913 |
| ECl@ss 9.0 | 27270913 |
| ETIM 5.0 | EC002550 |
| ETIM 6.0 | EC002550 |
| UNSPSC 16.0901 | 46171620 |

Dimensional drawing (Dimensions in mm (inch))



Recommended accessories

Other models and accessories → www.sick.com/LD-PeCo

| | Brief description | Type | Part no. |
|---|--|--------------------|----------|
| Test and monitoring tools | | | |
|  | Scan finder, receiver to localize infrared scans | Scan-Finder LS-80L | 6020756 |

SICK AT A GLANCE

SICK is one of the leading manufacturers of intelligent sensors and sensor solutions for industrial applications. A unique range of products and services creates the perfect basis for controlling processes securely and efficiently, protecting individuals from accidents and preventing damage to the environment.

We have extensive experience in a wide range of industries and understand their processes and requirements. With intelligent sensors, we can deliver exactly what our customers need. In application centers in Europe, Asia and North America, system solutions are tested and optimized in accordance with customer specifications. All this makes us a reliable supplier and development partner.

Comprehensive services complete our offering: SICK LifeTime Services provide support throughout the machine life cycle and ensure safety and productivity.

For us, that is “Sensor Intelligence.”

WORLDWIDE PRESENCE:

Contacts and other locations –www.sick.com