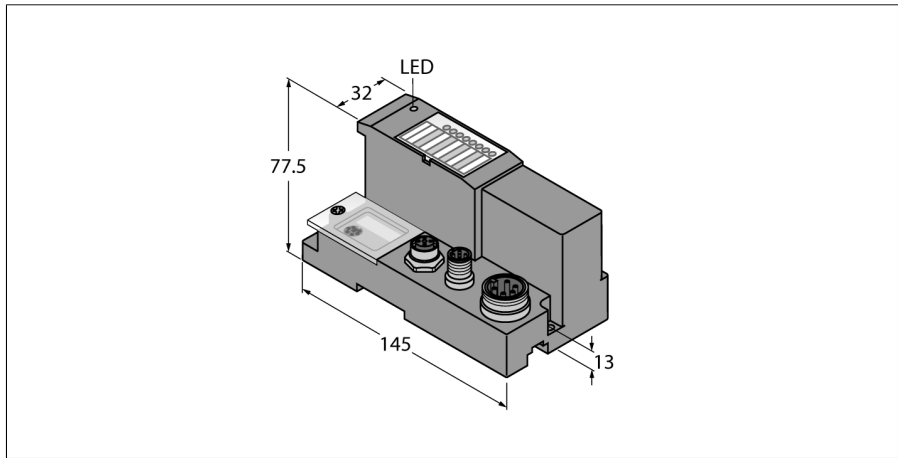
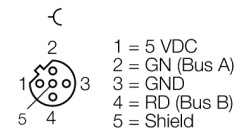


**Gateway for BL67 I/O system
Interface for PROFIBUS-DP (DPV0/DPV1)
BL67-GW-DPV1**

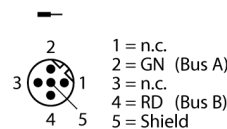


- 3 decimal rotary coding switches
- Protection class IP67
- LEDs for display of supply voltage, group and bus errors
- Interface between the BL67 system and PROFIBUS-DPV0/DPV1
- 12 Mbps
- Two males M12 x 1, 5-pin, reverse-keyed, for fieldbus connection
- One male 7/8", 5-pin, for power supply

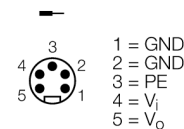
PROFIBUS-DP OUT



PROFIBUS-DP



Power Supply



Functional principle

BL67 gateways are the head component of a BL67 station. They are designed to connect the modular fieldbus nodes to the higher level fieldbus (PROFIBUS-DP, DeviceNet™, CANopen, Ethernet, Modbus TCP, PROFINET IO or EtherNet/IP™).

All BL67 electronic modules communicate over the internal module bus, the data of which is transferred to the fieldbus via the gateway. All I/O modules can thus be configured independently of the bus system.

Type designation	BL67-GW-DPV1
Ident no.	6827232
Supply voltage	24 VDC
Admissible range	18...30 VDC
Nominal current from module bus	≤ 650 mA
max. system supply current $I_{mb(SV)}$	1.5 A
Max. sensor supply I_{sens}	4 A electronically limited current supply
max. load current I_L	10 A
Voltage supply connection	5-pin male 7/8" connector
Fieldbus transmission rate	9.6 kbps ... 12 Mbps
Fieldbus addressing	3 decimally coded rotary switches
Fieldbus address range	1...125
Fieldbus connection technology	2 × M12, 5-pin, reverse-keyed
Fieldbus termination	external
Input process image	244 byte
Output process image	244 byte
Service interface	RS232 interface (PS/2 socket)
Dimensions (W x L x H)	74 x 145 x 77.5mm
Approvals	CE, cULus
Operating temperature	-40...+70 °C
Temperature derating	
> 55 °C Circulating air (Ventilation)	no limitation
> 55 °C Steady ambient air	$I_{sens} < 3A, I_{mb} < 1A$
Storage temperature	-40...+85 °C
Relative humidity	5 to 95 % (internal), Level RH-2, no condensation (at 45 °C storage)
Vibration test	acc. to EN 61131
Extended vibration resistance	VN 02-00 and higher
- up to 5 g (at 10 to 150 Hz)	for mounting on DIN rail no drilling according to EN 60715, with end bracket
- up to 20 g (at 10 up to 150 Hz)	for mounting on base plate or machinery Therefore every second module has to be mounted with two screws each.
Shock test	acc. to IEC 68-2-27
Drop and topple	acc. to IEC 68-2-31 and free fall to IEC 68-2-32
Electromagnetic compatibility	acc. to EN 61131-2
Protection class	IP67
DIN rail mounting	yes, Attention: Offset
Direct mounting	Two mounting holes, 6 mm Ø

**Gateway for BL67 I/O system
Interface for PROFIBUS-DP (DPV0/DPV1)
BL67-GW-DPV1**

Accessories

Type code	Ident no.	Description	
RKM52-6M	6914145	Power supply cable, 7/8 straight with open cable end, 6 m	
RSM-2RKM50	6914950	Power supply T-splitter, 1 x 7/8" male, 2 x 7/8" female, 5-pin, ampacity: 9 A, Rated voltage: 250 V, Temperature: -40 °C ... +80 °C, wired in parallel	

Wiring accessories

Type code	Ident no.	Description	
RSS4.5-PDP-TR	6601590	PROFIBUS-DP terminating resistor, 1 x M12 male, 5-pin, B-coded, passive	
RKSW-D9T451-2M	6915769	Profibus cable, M12 straight male connector to SUB-D, 2 m	
RSSW-RKSW451-6M	6914121	Profibus cable, M12 straight male connector to M12 straight female connector, 6 m	