

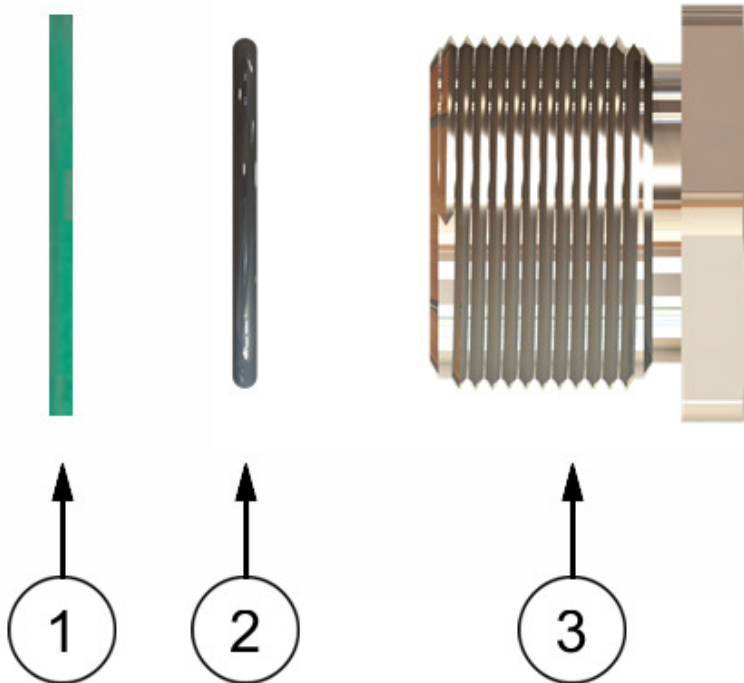
## Adapter

AD.M25.M20.BN.C.15.K35

- Adapter male thread metric to female thread metric
- Brass nickel-plated
- Thread M25
- Thread M20
- Seal chloroprene
- Ex db, Ex eb and Ex tb certified
- Suitable for operation in Zone 1, Zone 2, Zone 21 and Zone 22
- Packaging unit: 35 pieces, without accessories



## Dimensions



Release date: 2020-05-05 Date of issue: 2020-05-05 Filename: 400876\_eng.pdf

Refer to "General Notes Relating to Pepperl+Fuchs Product Information".

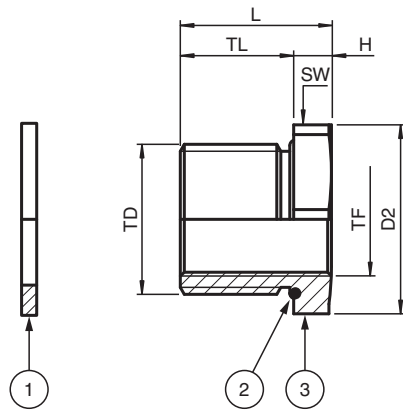
Pepperl+Fuchs Group  
www.pepperl-fuchs.com

USA: +1 330 486 0002  
pa-info@us.pepperl-fuchs.com

Germany: +49 621 776 2222  
pa-info@de.pepperl-fuchs.com

Singapore: +65 6779 9091  
pa-info@sg.pepperl-fuchs.com

 PEPPERL+FUCHS



Details see data table

Legend	
1	Washer gasket (accessory, metric threads only)
2	O-Ring (metric threads only)
3	Adapter
DI	Diameter internal hole
D2	Width across corners
H	Length outside enclosure
L	Total length
SW*	Width across flats
TD	Thread size
TF	Thread size female
TL	Thread length
TLF	Thread length female

## Technical Data

### Mechanical specifications

Thread type	metric ISO pitch 1.5 mm
Thread size (TD)	M25
Thread type female	metric ISO pitch 1.5 mm
Thread size female (TF)	M20
Degree of protection	IP66 / IP68
Material	
Finish	inherent color silver
Washer gasket	aramid fibers bonded with NBR
Adapter	brass, nickel-plated
O-Ring	chloroprene
Mass	
Individual component	approx. 66 g
Packing unit	approx. 2.54 kg
Dimensions	
Width across corners (D2)	33 mm
Length outside enclosure (H)	4 mm
Width across flats (SW1)	30 mm
Thread length (TL)	15 mm
Thread length female (TLF)	19 mm
Total length (L)	19 mm

Release date: 2020-05-05 Date of issue: 2020-05-05 Filename: 400876\_eng.pdf

Refer to "General Notes Relating to Pepperl+Fuchs Product Information".

Pepperl+Fuchs Group  
www.pepperl-fuchs.com

USA: +1 330 486 0002  
pa-info@us.pepperl-fuchs.com



Germany: +49 621 776 2222  
pa-info@de.pepperl-fuchs.com

Singapore: +65 6779 9091  
pa-info@sg.pepperl-fuchs.com

## Technical Data

Tightening torque	
Nut torque at enclosure (SW1)	8.5 Nm
<b>Ambient conditions</b>	
Ambient temperature	-40 ... 100 °C (-40 ... 212 °F) washer gasket -40 ... 80 °C (-40 ... 176 °F)
<b>Data for application in connection with hazardous areas</b>	
EU-type examination certificate	CESI 15 ATEX 029 X
Marking	⊕ II 2 GD Ex db IIC Gb Ex eb IIC Gb Ex tb IIIC Db
<b>International approvals</b>	
IECEX approval	IECEX CES 15.0006X
EAC approval	TC RU C-TR.GB05.B.00918
CCoE approval	PESO A/P/HQ/KA/104/5579 (P420366)
<b>Conformity</b>	
Degree of protection	EN 60529
<b>General information</b>	
Delivery quantity	35
Scope of delivery	Adapter brief instructions (1 copy)
Supplementary information	EC-Type Examination Certificate, Statement of Conformity, Declaration of Conformity, Attestation of Conformity and instructions have to be observed where applicable. For information see <a href="http://www.pepperl-fuchs.com">www.pepperl-fuchs.com</a> .

## Matching system components

	<b>LN.M25.BN.K50</b>
	<b>WA.FL.M25.F.K100</b>