

TYPE : 130 CONTACTORS

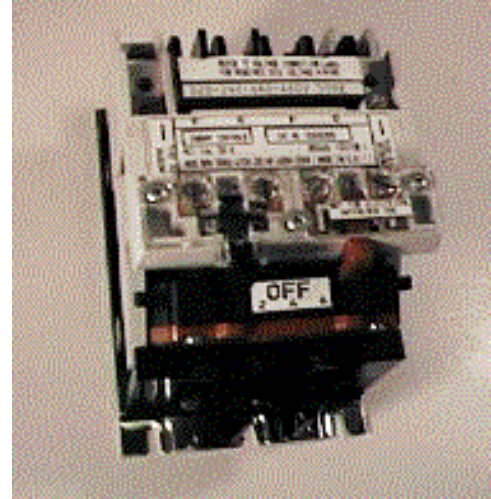


A range of compact, gravity drop-out block contactors with double break, silver alloy faced contacts for 3, 4 and 5 pole loads up to 100A 600V A.C. with a wide choice of A.C. and D.C. control voltages.

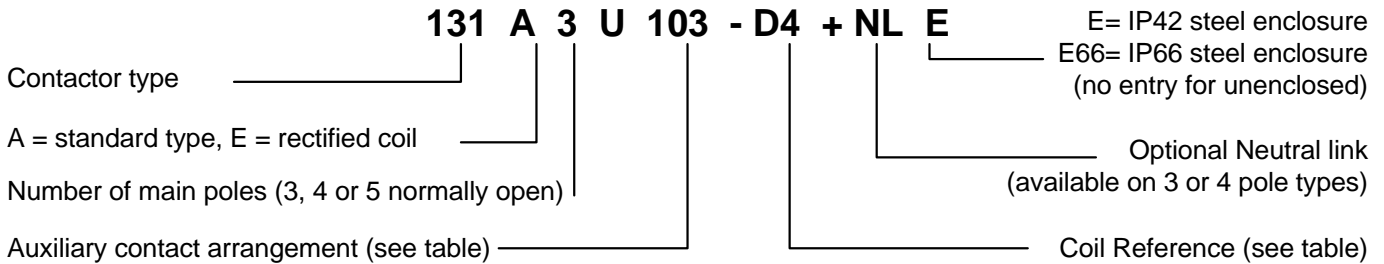
FEATURES

- 3, 4 or 5 normally open main poles
- Up to 100A AC1 resistive and 72A AC3 motor load per pole
- Wide range of A.C. and D.C. control voltages
- Access to inspect contacts and coil
- 1 n/o and 1 n/c auxiliary contacts as standard
- Mechanically interlocked pairs available
- Also available in IP42 or IP66 sheet steel enclosures

Contactors can be supplied factory assembled, but the modular construction allows additional main poles, auxiliary contacts and alternative coils to be fitted by the user when required.



ORDERING EXAMPLE



Note : Interlocked pairs (23 series) can be 3+3 or 4+4 main poles only, with neutral link option only on 3+3.

CONTACTOR TYPES AND RATINGS			
AC1 (A)	AC3 (A)	REFERENCES	
		SINGLE	PAIR
50	32	130	230
63	50	131	231
80	55	132	232
100	72	132X	232X

AUXILIARY CONTACTS					
AC CONTROL			DC CONTROL		
N/O	N/C	REF	N/O	N/C	REF
1	1	300	1	0	100
2	2	303	2	1	103
3	3	333	3	2	133*

* option 133 is not available with rectifier

COIL REFERENCES (for rectified A.C. use the equivalent D.C. coil)				
A.C. Dual Voltage Coils			D.C. Coils	
Voltage	Freq	Ref	Voltage	Ref
24/48	50Hz	A1	12-15	D1
110-120/220-240	50Hz	A5	24-32	D5
110-120/220-240	60Hz	A4	48-60	D2
190-210/380-420	50Hz	A6	70-110	D6
220-240/440-480	50Hz	A7	110-125	D3
220-240/440-480	60Hz	A2	220-260	D4
250-275/500-550	50Hz	A3	275-300	D7

ADDITIONAL ITEM REFERENCES	
Spare coils : Add reference from the table to the part no. MSA131-	
240V Rectifier kit including coil	MSA131244K
Neutral link (fits 3 & 4 pole)	MSA131215K
Mechanical interlock kit	MSA231115K
Side auxiliary switch (1 n/o + 1 n/c)	MSA131216K
Additional main pole (to give up to 5)	MSAnnn219K
Spare set of contacts (single pole)	MSAnnn192K
Spare set of contacts (3 pole)	MSAnnn193K
where 'nnn' is contactor type: 130, 131, 132. For 132X use 132 part number with suffix XK instead of K	

Coil for voltages other than those listed above are also available - details on request.

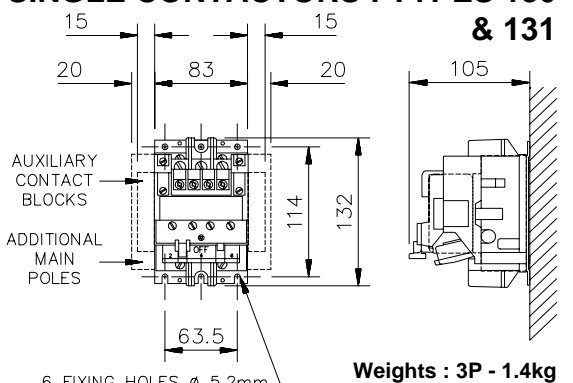
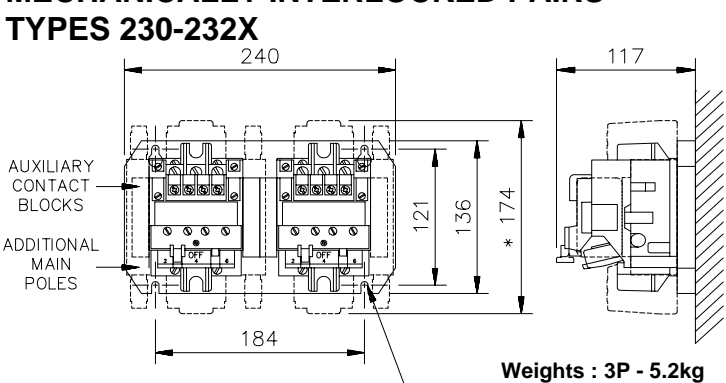
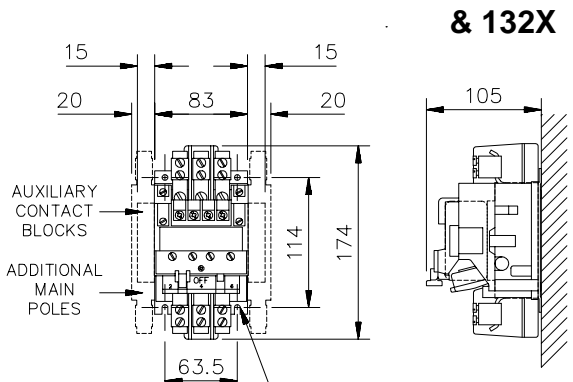
SPECIFICATION

CONTACT RATING at 600V A.C. (kW at 415V)								
LOAD TYPE	130		131		132		132X	
	A	kW	A	kW	A	kW	A	kW
HEATING (AC1)	50		63		80		100	
LIGHTING	20		32		40		63	
MOTOR (AC2)	40	22	60	33	80	44	90	50
MOTOR (AC3)	32	16	50	27	55	30	72	38
MOTOR (AC4)	22	11	35	18	47	25	55	30
STAR-DELTA	55	30	87	47	105	58	125	68
DC RESISTIVE (DC1) *	50		60		80		100	

* 2 POLES IN SERIES PER LINE FOR DC LOAD SWITCHING

TERMINAL CABLE SIZES	
130-131	SADDLE CLAMP FOR 16mm ²
132	BOX CLAMP FOR 25mm ²
132X	BOX CLAMP FOR 50mm ²
COIL CONSUMPTION	
A.C. : 200VA in-rush, 28VA hold-in	
D.C. : 194W in-rush, 3W hold-in	
AUXILIARY CONTACT RATING	
MAX 6A INDUCTIVE AT 250V A.C.	
MAX 3A INDUCTIVE AT 440V A.C.	

OUTLINE DIMENSIONS (mm) ADDITIONAL POLES & AUXILIARIES SHOWN DOTTED

<p>SINGLE CONTACTORS : TYPES 130 & 131</p>  <p>Weights : 3P - 1.4kg 4P - 1.6kg 5P - 1.8kg</p>	<p>MECHANICALLY INTERLOCKED PAIRS TYPES 230-232X</p>  <p>Weights : 3P - 5.2kg 4P - 6.0kg</p>
<p>SINGLE CONTACTORS : TYPES 132 & 132X</p>  <p>Weights : 3P - 1.6kg 4P - 1.8kg 5P - 2.0kg</p>	<p>ENCLOSED TYPES</p> <p>IP42 SHEET STEEL ENCLOSURE - SUFFIX E</p> <p>130, 131: 246h x 146w x 140d. Weight: add 1.9kg to open type 132, 132X: 321h x 180w x 167d. Weight: add 2.7kg to open type 230 - 232X: 365h x 270w x 180d. Weight: add 4.0kg to open type</p> <p>IP66 SHEET STEEL ENCLOSURE WITH HINGED DOOR - SUFFIX E66</p> <p>130 - 132X: 300h x 200w x 150d. Weight: add 4.5kg to open type 230 - 232X: 300h x 300w x 150d. Weight: add 6.1kg to open type</p>

RELATED PRODUCTS

Enbray Contactors has a well established name for reliable electrical load management and manufactures a wide range of load switching devices ranging from miniature pulse operated devices up to 1250A fully automatic changeover systems.

Specific customer requested configurations can be produced which are supplied with all control wiring in place and therefore require the minimum of installation time. These include Safety Contactors, Emergency Changeover Systems, Multipole contactors, Contactors with normally closed main poles etc. Details on request

ENBRAY - Cooper Bussmann

Burton-on-the-Wolds
Leicestershire LE12 5TH
England

Tel: +44 (0) 1509 882600

Fax: +44 (0) 1509 882786

Technical/Application Helpline

Tel: +44 (0) 1946 839000

Fax: +44 (0) 1946 833000



E-mail: contactors@bussmann.co.uk

Web: <http://www.enbray.co.uk>