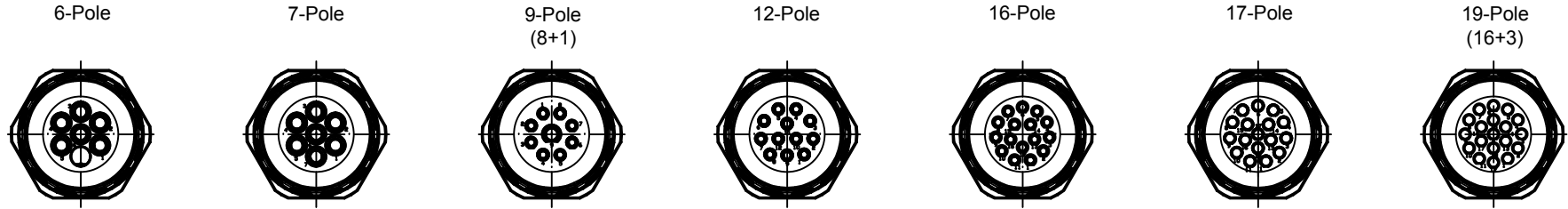
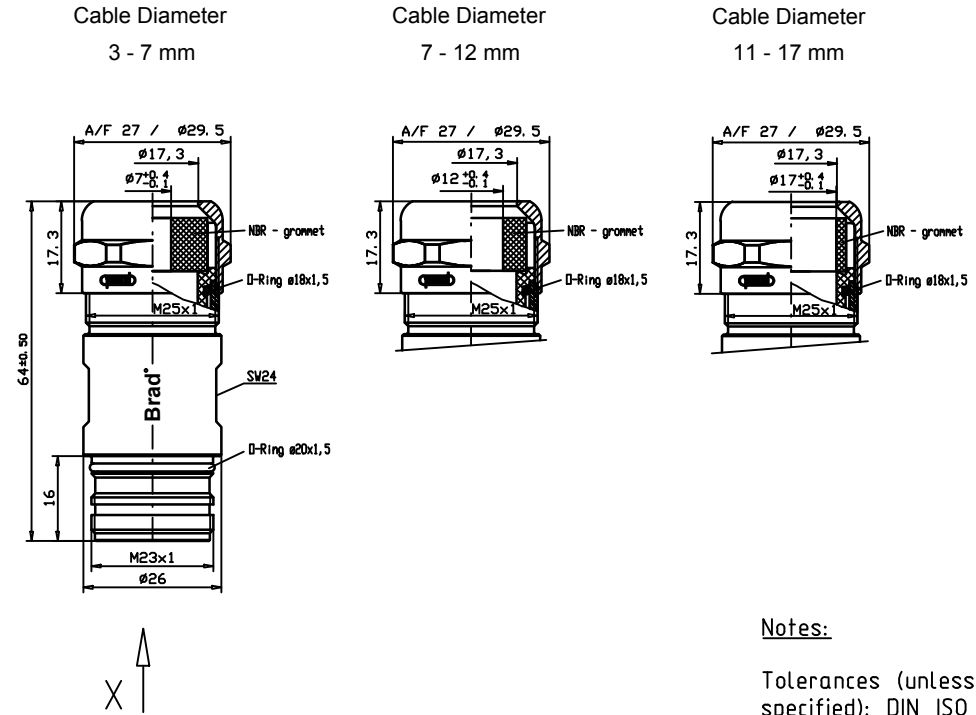


Views from "X"



	Cable Diameter	Solder Contacts	Crimp Contacts	Without Contacts	
6 Pole	3 - 7mm	KAS6S06-551 1202300106	KAS6S06-401 1202300109	KAS6S06-001 1202300112	
	7 - 12mm	KAS6S06-555 1202300107	KAS6S06-405 1202300110	KAS6S06-005 1202300113	
	11 - 17mm	KAS6S06-559 1202300108	KAS6S06-409 1202300111	KAS6S06-009 1202300114	
	Crimp range*		0,75-2,5mm²		
7 Pole	3 - 7mm	KAS7S06-551 1202300115	KAS7S06-401 1202300118	KAS7S06-001 1202300121	
	7 - 12mm	KAS7S06-555 1202300116	KAS7S06-405 1202300119	KAS7S06-005 1202300122	
	11 - 17mm	KAS7S06-559 1202300117	KAS7S06-409 1202300120	KAS7S06-009 1202300123	
	Crimp range*		0,75-2,5mm²		
9 Pole	3 - 7mm	KAS9S06-551 1202300124	---	KAS9S06-001 1202300130	
	(8+1)	7 - 12mm	KAS9S06-555 1202300125	KAS9S06-415 1202300128	KAS9S06-005 1202300131
	11 - 17mm	KAS9S06-559 1202300126	---	KAS9S06-009 1202300132	
	Crimp range*		0,14-1,0mm²/0,75-2,5mm²		
12 Pole	3 - 7mm	KASCS06-551 1202300133	---	KASCS06-001 1202300139	
	7 - 12mm	KASCS06-555 1202300134	KASCS06-015 1202300137	KASCS06-005 1202300140	
	11 - 17mm	KASCS06-559 1202300135	KASCS06-019 1202300138	KASCS06-009 1202300141	
	Crimp range*		0,14-1,0mm²		
16 Pole	3 - 7mm	KASHS06-551 1202300142	KASHS06-011 1202300145	KASHS06-001 1202300148	
	7 - 12mm	KASHS06-555 1202300143	KASHS06-015 1202300146	KASHS06-005 1202300149	
	11 - 17mm	KASHS06-559 1202300144	KASHS06-019 1202300147	KASHS06-009 1202300150	
	Crimp range*		0,14-1,0mm²		
17 Pole	3 - 7mm	KASJS06-551 1202300151	KASJS06-011 1202300154	KASJS06-001 1202300157	
	7 - 12mm	KASJS06-555 1202300152	KASJS06-015 1202300155	KASJS06-005 1202300158	
	11 - 17mm	KASJS06-559 1202300153	KASJS06-019 1202300156	KASJS06-009 1202300159	
	Crimp range*		0,14-1,0mm²		
19 Pole	3 - 7mm	KASLS06-551 1202300160	KASLS06-111 1202300163	KASLS06-001 1202300166	
	(16+3)	7 - 12mm	KASLS06-555 1202300161	KASLS06-115 1202300164	KASLS06-005 1202300167
	11 - 17mm	KASLS06-559 1202300162	KASLS06-119 1202300165	KASLS06-009 1202300168	
	Crimp range*		0,14-1,0mm²/0,14-1,0mm²		



Notes:

Tolerances (unless specified): DIN ISO 2768 m

*Crimp range only applies to "Crimp Contacts" version

DESCRIPTION EC NO: IP/G2014-0933 DRWN: BBRAUCH CHKD: APOHL APPR: APOHL	DESCRIPTION 20.11.13	QUALITY SYMBOLS	GENERAL TOLERANCES (UNLESS SPECIFIED)	DIMENSION STYLE	SCALE	DESIGN UNITS	THIRD ANGLE PROJECTION
		▽ = 0	mm INCH	MM	---	METRIC	
		▽ = 0	4 PLACES ± --- ± ---	DRAWN BY DATE	FA M23 XP MA STR		
			3 PLACES ± --- ± ---	BB 2008/11/12	---		
			2 PLACES ± 0.05 ± ---	CHECKED BY DATE	---		
	1 PLACE ± 0.1 ± ---	JKO 2008/12/09	APPROVED BY DATE	molex			
	0 PLACE ± --- ± ---	---	---	MATERIAL NO.	DOCUMENT NO.	SHEET NO.	
	ANGULAR ± --- °			see table	SD-120230-003	1 OF 1	
			DRAFT WHERE APPLICABLE MUST REMAIN WITHIN DIMENSIONS	SIZE A3	THIS DRAWING CONTAINS INFORMATION THAT IS PROPRIETARY TO MOLEX INCORPORATED AND SHOULD NOT BE USED WITHOUT WRITTEN PERMISSION		