



C25S-090203C11

C2000 Standard in IP69K Housing

SAFETY LIGHT CURTAINS

SICK
Sensor Intelligence.



Ordering information

Type	Part no.
C25S-090203C11	1024201

1.) Concerns installation as a replacement part for previous type 2 device in machine: Regarding Machinery Directive 2006/42/EC, Article 1, Paragraph (2a) this type 2 device may only be used as a replacement part for identical PL d / SIL2 devices within the EU if the machine was put into circulation before 2015-05-10. Keep this note with your machine documentation. If the machine is sold on, this note and the information it contains must be passed on to every subsequent buyer. 2.) Concerns installation on new machines: Due to the amendment to the EN/IEC 61496-1 standard, this type 2 device may only be installed on new machines up to PL c / SIL1 as of 2015-05-10.

Other models and accessories → www.sick.com/C2000_Standard_in_IP69K_Housing



Detailed technical data

Features

Resolution	30 mm
Protective field height	900 mm
Scanning range	2.5 m ... 14.5 m
Synchronization	Optical synchronisation

Safety-related parameters

Type	Type 2 (IEC 61496-1)
Safety integrity level	SIL1 (IEC 61508) SILCL1 (EN 62061)
Category	Category 2 (EN ISO 13849)
Test rate (internal test)	13 /s (EN ISO 13849) ¹⁾
Maximum demand rate	≤ 8 min ⁻¹ (EN ISO 13849) ²⁾
Performance level	PL c (EN ISO 13849)
PFH_D (mean probability of a dangerous failure per hour)	2.2 x 10 ⁻⁸ (EN ISO 13849)
T_M (mission time)	20 years (EN ISO 13849)
Safe state in the event of a fault	At least one OSSD is in the OFF state.

¹⁾ Internal test. The test rate may not be exceeded if an external test is performed.

²⁾ Between two requirements on a safety-related response of the device, at least 100 internal or external tests must be carried out.

Functions

	Functions	Delivery status
Beam coding	✓	Uncoded

Interfaces

System connection	Connection type	Cable 15 m, PVC
	Conductor cross-section	0.25 mm ²
Configuration method		Hard wired
Display elements		7-segment display
Status display		LEDs
Fieldbus, industrial network		
	Integration via Flexi Soft safety controller	CANopen, DeviceNet™, EtherCAT®, EtherNet/IP™, Modbus TCP, PROFIBUS DP, PROFINET ¹⁾

¹⁾ For additional information on Flexi Soft -> www.sick.com/Flexi_Soft.

Electrical data

Protection class	III (EN 50178)
-------------------------	----------------

Mechanical data

Housing diameter	50 mm	
Material		
	End caps	Stainless steel V4A
	Plastic tube	PMMA
	Compensating element (membrane)	PA 6
	PG connector	PA 6

Ambient data

Enclosure rating	IP69K, IP67, IP66, IP65 (EN 60529)
Ambient operating temperature	0 °C ... +55 °C
Storage temperature	-25 °C ... +70 °C
Air humidity	15 % ... 95 %, Non-condensing
Vibration resistance	5 g, 10 Hz ... 55 Hz (IEC 68-2-6)
Shock resistance	10 g, 16 ms (EN 60068-2-29)

Other information

Wave length	950 nm
--------------------	--------

Classifications

ECl@ss 5.0	27272704
ECl@ss 5.1.4	27272704
ECl@ss 6.0	27272704
ECl@ss 6.2	27272704
ECl@ss 7.0	27272704
ECl@ss 8.0	27272704
ECl@ss 8.1	27272704
ECl@ss 9.0	27272704
ETIM 5.0	EC002549
ETIM 6.0	EC002549

UNSPSC 16.0901

46171620

Dimensional drawing (Dimensions in mm (inch))

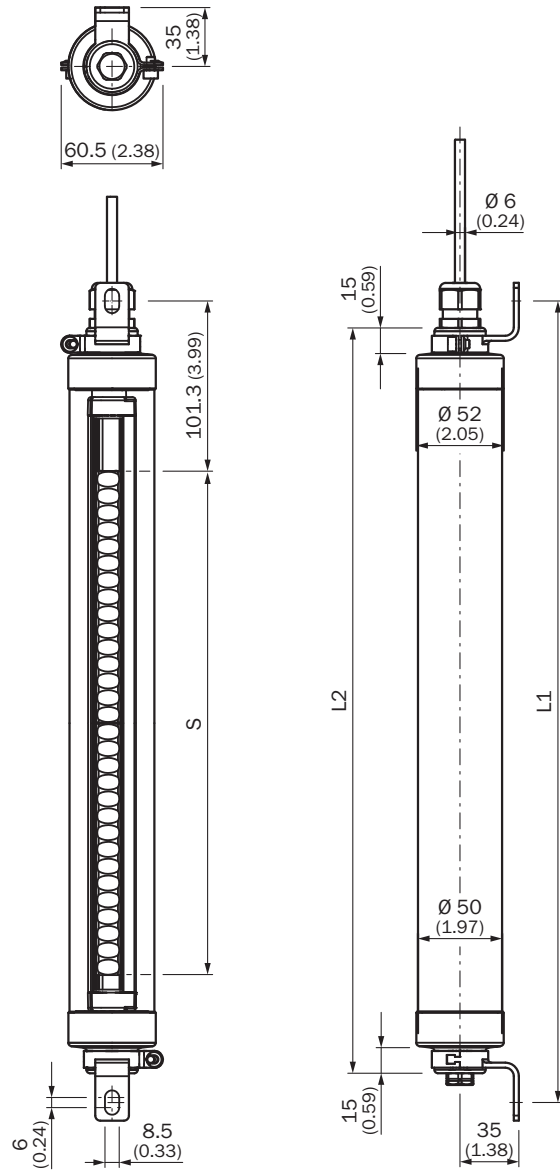
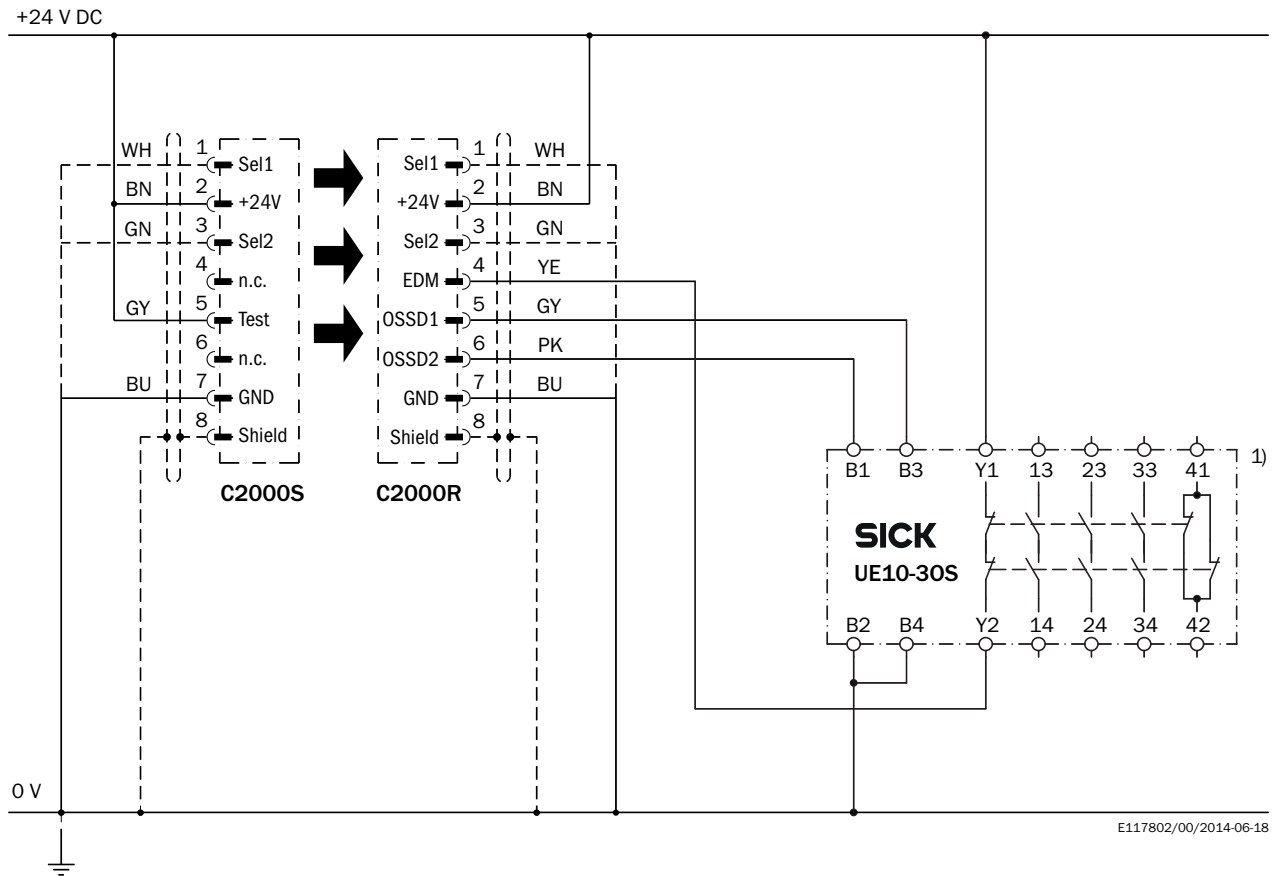


Illustration sender (receiver mirror image)

Protective field height S	L1	L2
150 (5.91)	357 (14.06)	324 (12.76)
300 (11.81)	476 (18.74)	443 (17.44)
450 (17.72)	626 (24.65)	593 (23.35)
600 (23.62)	777 (30.59)	744 (29.29)
750 (29.53)	927 (36.50)	894 (35.20)
900 (35.43)	1,078 (42.44)	1,045 (41.14)
1,050 (41.34)	1,228 (48.35)	1,195 (47.05)
1,200 (47.24)	1,382 (54.41)	1,349 (53.11)

Connection diagram




C2000 Standard to UE10-30S safety relay




E117802/00/2014-06-18

Recommended accessories

Other models and accessories → www.sick.com/C2000_Standard_in_IP69K_Housing

	Brief description	Type	Part no.
Device protection (mechanical)			
	Bidirectional ventilation membrane made from Gore-Tex	Bidirectional ventilation membrane	5309082
Other mounting accessories			
	1 piece, Mounting tool for M12 cable socket, small housing	Installation wrench	4034690
Terminal and alignment brackets			
	2 pieces, Stainless steel support bracket, stainless steel 1.4350	BEF-2AAAADES2	2026849

	Brief description	Type	Part no.
	4 pieces, Reinforced stainless steel bracket, rotatable, stainless steel 1.4350, stainless steel 1.4301	BEF-2SMMVAES4	2026850

SICK AT A GLANCE

SICK is one of the leading manufacturers of intelligent sensors and sensor solutions for industrial applications. A unique range of products and services creates the perfect basis for controlling processes securely and efficiently, protecting individuals from accidents and preventing damage to the environment.

We have extensive experience in a wide range of industries and understand their processes and requirements. With intelligent sensors, we can deliver exactly what our customers need. In application centers in Europe, Asia and North America, system solutions are tested and optimized in accordance with customer specifications. All this makes us a reliable supplier and development partner.

Comprehensive services complete our offering: SICK LifeTime Services provide support throughout the machine life cycle and ensure safety and productivity.

For us, that is “Sensor Intelligence.”

WORLDWIDE PRESENCE:

Contacts and other locations –www.sick.com