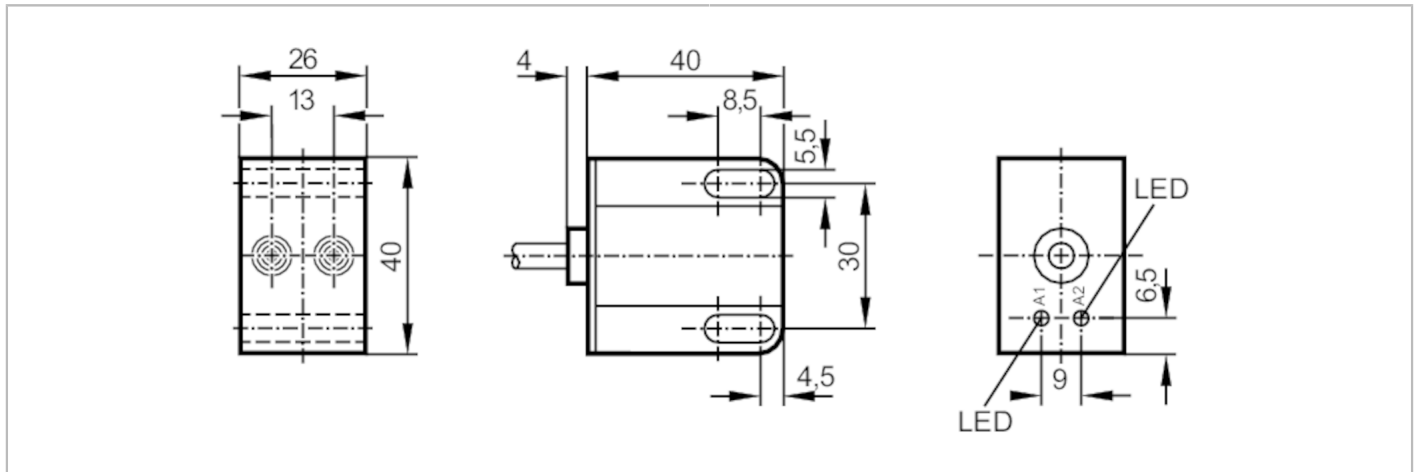


IN0110



Inductive dual sensor for valve actuators

IND2004DABOA



Made in Germany

Electrical data	
Operating voltage [V]	20...250 AC/DC
Protection class	II
Reverse polarity protection	yes
Outputs	
Output function	2 x normally open
Max. voltage drop switching output DC [V]	6.5
Max. voltage drop switching output AC [V]	6.5
Minimum load current [mA]	5
Max. leakage current [mA]	2.5 (250 V AC) / 1.3 (110 V AC) / 0.8 (24 V DC)
Permanent current rating of switching output AC [mA]	250; (350 (...50 °C))
Permanent current rating of switching output DC [mA]	100
Short-time current rating of switching output [mA]	2200; (20 ms / 0,5 Hz)
Switching frequency AC [Hz]	25
Switching frequency DC [Hz]	50
Short-circuit proof	no
Overload protection	no
Range	
Sensing range [mm]	4
Real sensing range Sr [mm]	4 ± 10 %
Operating distance [mm]	0...3.25
Accuracy / deviations	
Correction factor	steel: 1 / stainless steel: 0.7 / brass: 0.4 / aluminium: 0.3 / copper: 0.2
Hysteresis [% of Sr]	1...15
Switch point drift [% of Sr]	-10...10

IN0110



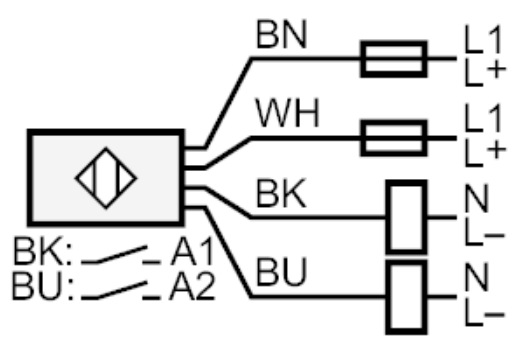
Inductive dual sensor for valve actuators

IND2004DABOA

Operating conditions		
Ambient temperature	[°C]	-25...80
Protection		IP 67
Tests / approvals		
EMC	EN 60947-5-2	
	EN 55011	class B
MTTF	[years]	303
Mechanical data		
Weight	[g]	150
Housing		rectangular
Mounting		non-flush mountable
Dimensions	[mm]	40 x 26 x 40
Materials		PBT
Displays / operating elements		
Display	switching status	2 x LED, yellow
Electrical connection		
Required protection	miniature fuse to IEC60127-2 sheet 1; ≤ 2 A; fast acting	
Remarks		
Remarks	Recommendation: Check the safe functioning of the unit after a short circuit.	
Pack quantity	1 pcs.	

Electrical connection
Cable: 2 m, PVC; 4 x 0.34 mm²

Connection



Note miniature fuse to IEC60127-2 sheet 1 ≤ 2 A fast acting