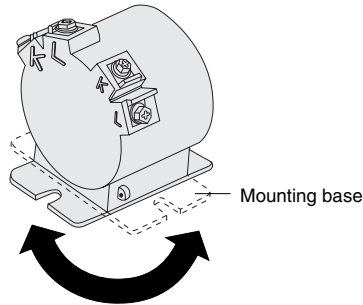


**CC3P current transformers with primary winding**

Primary current: 5 to 50A  
 Secondary current: 5A or 1A

**Description**

CC3P CTs support primary winding for easy wiring. The mounting base can be rotated anywhere in a 90° range to facilitate installation. A double-mold structure gives CC3P CTs excellent moisture resistance and good insulation properties. Select from a lineup of three types with rated burdens of 5VA, 15VA, and 40VA.



**Types and ratings**

Burden (VA)	Rated primary current (A)	Secondary current (A)	Accuracy class	Thermal limit current	Max. voltage (kV rms.)	Dielectric strength (kV 1 min.)	Mass (kg)	Type
5	1 2 3 5 7.5 10 15 20 25 30	5 or 1	1.0	40 times rated primary current	1.15kV	4.0kV	0.7	CC3P1-001 <input type="checkbox"/>
	CC3P1-002 <input type="checkbox"/>							
								CC3P1-003 <input type="checkbox"/>
								CC3P1-005 <input type="checkbox"/>
								CC3P1-7P5 <input type="checkbox"/>
								CC3P1-010 <input type="checkbox"/>
								CC3P1-015 <input type="checkbox"/>
								CC3P1-020 <input type="checkbox"/>
								CC3P1-025 <input type="checkbox"/>
								CC3P1-030 <input type="checkbox"/>
	40 50	5 or 1	1.0		1.15kV	4.0kV	1.1	CC3P1-040 <input type="checkbox"/>
								CC3P1-050 <input type="checkbox"/>
15	1 2 3 5 7.5 10 15 20 25 30 40 50	5 or 1	1.0	40 times rated primary current	1.15kV	4.0kV	1.1	CC3P2-001 <input type="checkbox"/>
	CC3P2-002 <input type="checkbox"/>							
								CC3P2-003 <input type="checkbox"/>
								CC3P2-005 <input type="checkbox"/>
								CC3P2-7P5 <input type="checkbox"/>
								CC3P2-010 <input type="checkbox"/>
								CC3P2-015 <input type="checkbox"/>
								CC3P2-020 <input type="checkbox"/>
								CC3P2-025 <input type="checkbox"/>
								CC3P2-030 <input type="checkbox"/>
								CC3P2-040 <input type="checkbox"/>
								CC3P2-050 <input type="checkbox"/>
40	1 2 3 5 7.5 10 15 20 30	5 or 1	1.0	40 times rated primary current, 1 second	1.15kV	4.0kV	1.1	CC3P3-001 <input type="checkbox"/>
	CC3P3-002 <input type="checkbox"/>							
								CC3P3-003 <input type="checkbox"/>
								CC3P3-005 <input type="checkbox"/>
								CC3P3-7P5 <input type="checkbox"/>
								CC3P3-010 <input type="checkbox"/>
								CC3P3-015 <input type="checkbox"/>
								CC3P3-020 <input type="checkbox"/>
								CC3P3-030 <input type="checkbox"/>
	40 50	5 or 1	1.0		1.15kV	4.0kV	1.2	CC3P3-040 <input type="checkbox"/>
								CC3P3-050 <input type="checkbox"/>

Notes: \* Replace the  mark by the secondary current code.  
 5: 5A 1: 1A

# Instrument Transformers

## CT with primary winding/CC3P

### ■ Type number nomenclature

CC3P □ - □ □

#### Secondary current

1: 1A  
5: 5A

#### Rated primary current

001: 1A	7P5: 7.5A	025: 25A
002: 2A	010: 10A	030: 30A
003: 3A	015: 15A	040: 40A
005: 5A	020: 20A	050: 50A

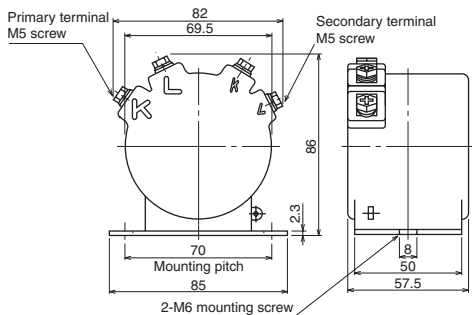
#### Burden

1: 5VA  
2: 15VA  
3: 40VA

#### Basic type

### ■ Dimensions, mm

#### CC3P1: 1 to 30A



#### CC3P1: 40, 50A    CC3P2, CC3P3

