

**SAI-4-M-SVV-M12****Weidmüller Interface GmbH & Co. KG**

Klingenbergstraße 26

D-32758 Detmold

Germany

Fon: +49 5231 14-0

Fax: +49 5231 14-292083

www.weidmueller.com



Your peripheral devices should be supplied with greater power. With our new M12 plug-in connector, more than 250 V and 2 A is possible without problems. The compact S- and T-coded M12 plug-in connectors are designed for the transmission of up to 630 V AC or 60 V DC and 12 A.

**General ordering data**

Type	SAI-4-M-SVV-M12
Order No.	<a href="#">1431490000</a>
Version	Power distributor, M12, Hood version, Yes
GTIN (EAN)	4050118236903
Qty.	1 pc(s).

**SAI-4-M-SVV-M12****Weidmüller Interface GmbH & Co. KG**

Klingenbergstraße 26

D-32758 Detmold

Germany

Fon: +49 5231 14-0

Fax: +49 5231 14-292083

www.weidmueller.com

**Technical data****Dimensions and weights**

Net weight	194 g
------------	-------

**Temperatures**

Operating temperature, max.	80 °C	Operating temperature, min.	-20 °C
Operating temperature	-20 - 80°C		

**Environmental Product Compliance**

REACH SVHC	Lead 7439-92-1
------------	----------------

**Connection data**

Conductor O.D., min.	6 mm	Conductor O.D., max.	12 mm
Cable glands	M 20	Clamping range, min.	0.5 mm <sup>2</sup>
Clamping range, max.	4 mm <sup>2</sup>	Distributor outlet	Hood version

**Electrical data**

Rated voltage, min.	10 V	Rated voltage, max.	30 V
Max. current-carrying capacity per slot	10 A	Total current	32 A
Current per signal	10 A	Insulation strength	10 <sup>8</sup> Ω

**General technical data**

Plug-in station coding	A	Protection degree	IP68
Number of poles	4	Number of contact sockets	4
Connection thread	M12	Pollution severity	3
Fire behaviour	V-0	Plugging cycles	≤ 50
LED	Yes	LED initiator	Yes
LED colour for indicating operation	yellow	LED colour for I/O function	yellow

**Material data**

Housing main material	Pocan	Material of distributor	Plastic
Housing colour	grey, RAL 7032	Hood sealing material	Viton
Screw socket	Nickel-plated CuZn	Contact material	CuZn
Contact surface	Gold-plated	Contact carrier material	PBT (UL 94 V0)

**Technical data cable**

Suitable for cable carriers	No	Number of poles	4
Conductor O.D., min.	6 mm	Conductor O.D., max.	12 mm

**Classifications**

ETIM 6.0	EC002585	ETIM 7.0	EC003558
eClass 9.0	27-44-01-08	eClass 9.1	27-44-01-08
eClass 10.0	27-44-01-11		

**Data sheet****SAI-4-M-SVV-M12**

**Weidmüller Interface GmbH & Co. KG**  
Klingenbergstraße 26  
D-32758 Detmold  
Germany  
Fon: +49 5231 14-0  
Fax: +49 5231 14-292083  
www.weidmueller.com

**Technical data****Approvals**

Approvals



ROHS

Conform

**Downloads**

Brochure/Catalogue

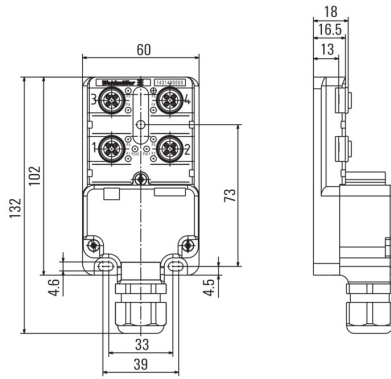
[CAT 8 SAI 15/16 EN](#)  
[FL FIELDWIRING EN](#)

**SAI-4-M-SVV-M12**

**Weidmüller Interface GmbH & Co. KG**  
 Klingenbergstraße 26  
 D-32758 Detmold  
 Germany  
 Fon: +49 5231 14-0  
 Fax: +49 5231 14-292083  
 www.weidmueller.com

**Drawings**

**Dimensioned drawing**



**Wiring diagram**

