



## Absolute singleturn hollow shaft encoders

- ▶ Robust housing for harsh environment
- ▶ 10 bit
- ▶ IP 65, encapsulation class
- ▶ 5 Vdc or 9...30 Vdc
- ▶ Parallel Gray output
- ▶ Enable function



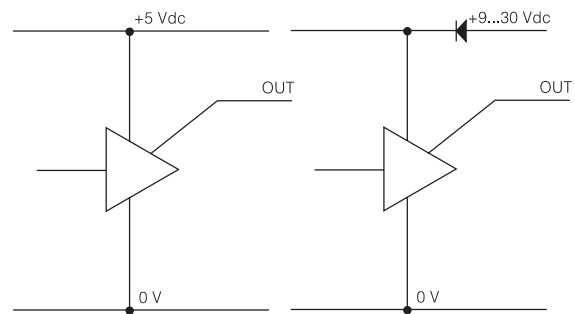
## ELECTRICAL SPECIFICATION

Supply voltage +EV	9-30V	5V ±10%
	Polarity protected	---
Current consumption at no load, Sink	40mA @ 24V Max 75mA	85mA Max 145mA
Resolution	10 Bit	
Accuracy	± ½ LSB	
Outputs, Parallel	HTL	TTL
Code	Gray, Excess Short circuit protected	
Load max	± 20mA	
U <sub>high</sub> (at 10mA load)	> +EV - 3,0V	> 3,0V
U <sub>low</sub> (at 10mA load)	< 0,4V	< 0,4V
Frequency range	0...100kHz	
Inputs	ENABLE	DIRECTION
+EV = 9-30V		
U <sub>high</sub>	> +EV x 0,6	> +EV x 0,6
U <sub>low</sub>	< +EV x 0,25	< +EV x 0,25
+EV = 5V		
U <sub>high</sub>	> 2V	> 2V
U <sub>low</sub>	< 0,8V	< 0,8V
Active	High	High (CCW)
Not connected	High	Low (CW)
Delay	10µs	150µs

## ACCESSORIES

Mating connector	Part. No. 01209090 (12 pin EML)
Torque arm	Part. No. 01209032

## OUTPUT CIRCUIT



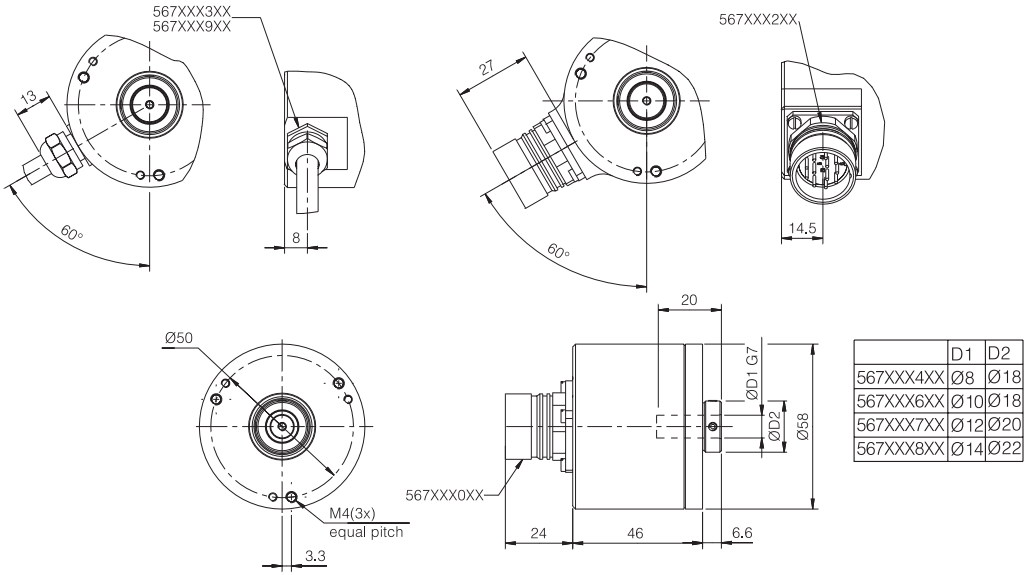
## CONNECTION

Function	12 pin EML	Colour
Bit 1	1	White
Bit 2	2	Brown
Bit 3	3	Green
Bit 4	4	Yellow
Bit 5	5	Grey
Bit 6	6	Pink
0 Volt	10	Blue
+ E Volt	12	Red
Bit 7	7	Black
Bit 8	8	Violet
Bit 9	9	Grey/Pink
Bit 10	11	Blue/Red
DIRECTION		Green/White
ENABLE		Green/Brown

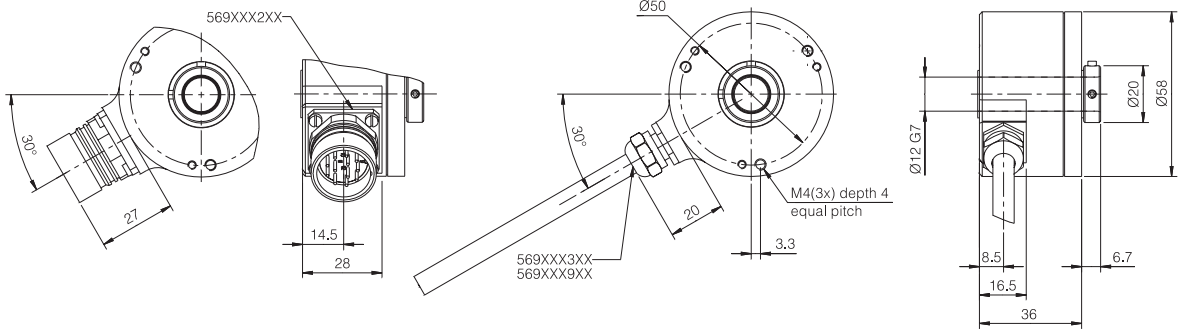
# 567 / 569



567



569



## MECHANICAL SPECIFICATION

Shaft, Stainless steel	Hollow-shaft Ø 8, 10, 12, 14mm G7
Moment of inertia	$5,4 \times 10^{-6} \text{ kgm}^2$
Load max	
Radial	20N
Axial	10N
Speed max	6000 rpm
Code disc	Unbreakable acrylic glass
Temperature	
Operating	-25°C ... +70°C
Storage	-25°C ... +70°C
Housing	Aluminum, anodized
Weight	Approx. 300g
Protection class	IP 65 according to IEC 529
Vibration	<100m/s <sup>2</sup> (50...2000 Hz)
Shock	<1000m/s <sup>2</sup> (11ms)
Cable	16x0,25mm <sup>2</sup> PVC

## ORDERING INFORMATION

5 - - - - - - - - -

**Type**  
67 = Standard hollow shaft  
69 = Through hole

**Option**  
02 = Parallel Gray

**Hollow shaft**  
4 = Ø 8mm  
6 = Ø 10mm  
7 = Ø 12mm  
8 = Ø 14mm

**Connection**  
0 = Connector, axial \*  
1 = Cable, axial 1.5 m \*  
2 = Connector, radial  
3 = Cable, radial 1.5 m  
8 = Cable, axial xx m \*  
9 = Cable, radial xx m

**Supply voltage**  
1 = 5 Vdc  
5 = 9...30 Vdc

**Internal use**  
0 = 10 bit

**Resolution**

**Leine & Linde** ISO 9001 certified

\* Not Type -69-

Leine & Linde AB, Box 8, SE-645 21 Strängnäs, Sweden. Olivehällsvägen 8.  
Phone: +46 (0)152 265 00. Fax: +46 (0)152 265 05. E-mail: info@leinelinde.se

01-03-22 PS. Specifications can be changed without prior notice.