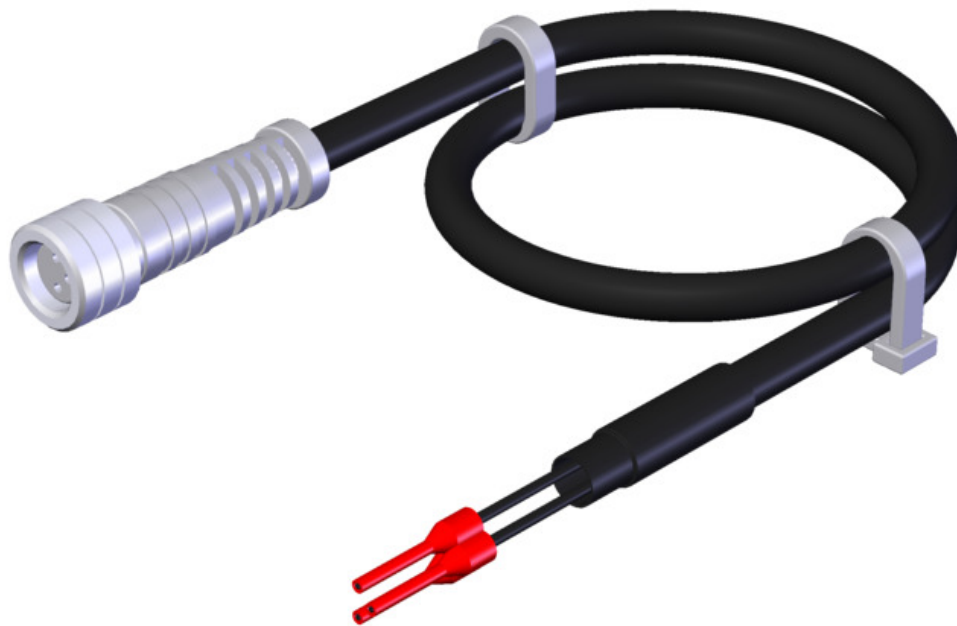


**ITEM 084762 C-M08F03-02X025PU05,0-ES-084762**

| Description | Technical data | Accessories | Downloads |
|-------------|----------------|-------------|-----------|
|-------------|----------------|-------------|-----------|



**Features**

- › M8 female plug, 3-pin
- › Straight plug connector
- › PUR cable
- › Cable length 5 m
- › With flying lead

**Mechanical values and environment**

|                               |  |
|-------------------------------|--|
| Sheath material               | PUR  |
| Conductor insulation material | TPE-V  |
| Conductor material            | Cu flexible wire bare  |
| Fire behavior                 | Flame retardant according to DIN EN 60332-2-1 and VDE 0482-332-2-1   |
| Halogen-free                  | Yes  |
| Resistance to media           | Largely resistant to greases, cooling fluids and lubricants. Oil-resistant according to DIN VDE 0473 part 811. |
| Drag chain suitability        | Yes  |

|                               |         |                      |
|-------------------------------|---------|----------------------|
| Ambient temperature           |         |                      |
|                               | static  | -25 ... 80 °C        |
|                               | Dynamic | -25 ... 70 °C        |
| Number of conductors          |         | 2                    |
| Type of cable                 |         | straight             |
| Cable length                  |         | 5 m                  |
| Cable diameter                |         |                      |
|                               | Approx. | 4,3 mm               |
| Conductor cross-section       |         | 0.25 mm <sup>2</sup> |
| Conductor identification      |         | Color code           |
| Sheath color                  |         | Black                |
| Bending radius                |         |                      |
|                               | static  | 5x cable diameter    |
|                               | Dynamic | 7.5x cable diameter  |
|                               |         | <b>Connection 1</b>  |
| Degree of protection          |         | IP67                 |
| Plug lock material            |         | CuZn nickel-plated   |
| Designation of plug connector |         | M8x1                 |
| Insertion cycles              |         | min.100              |
| Insulating material group     |         | II                   |
| Connection                    |         | Plug connector M8x1  |
| Connection type               |         | Socket               |
| Cable outlet                  |         | straight             |
| Number of pins                |         | 3                    |
| Plug lock                     |         | Screw connection     |
| Plug housing material         |         | PUR                  |
|                               |         | <b>Connection 2</b>  |
| Conductor end                 |         | Cable end sleeve     |
| Connection                    |         | Flying lead          |

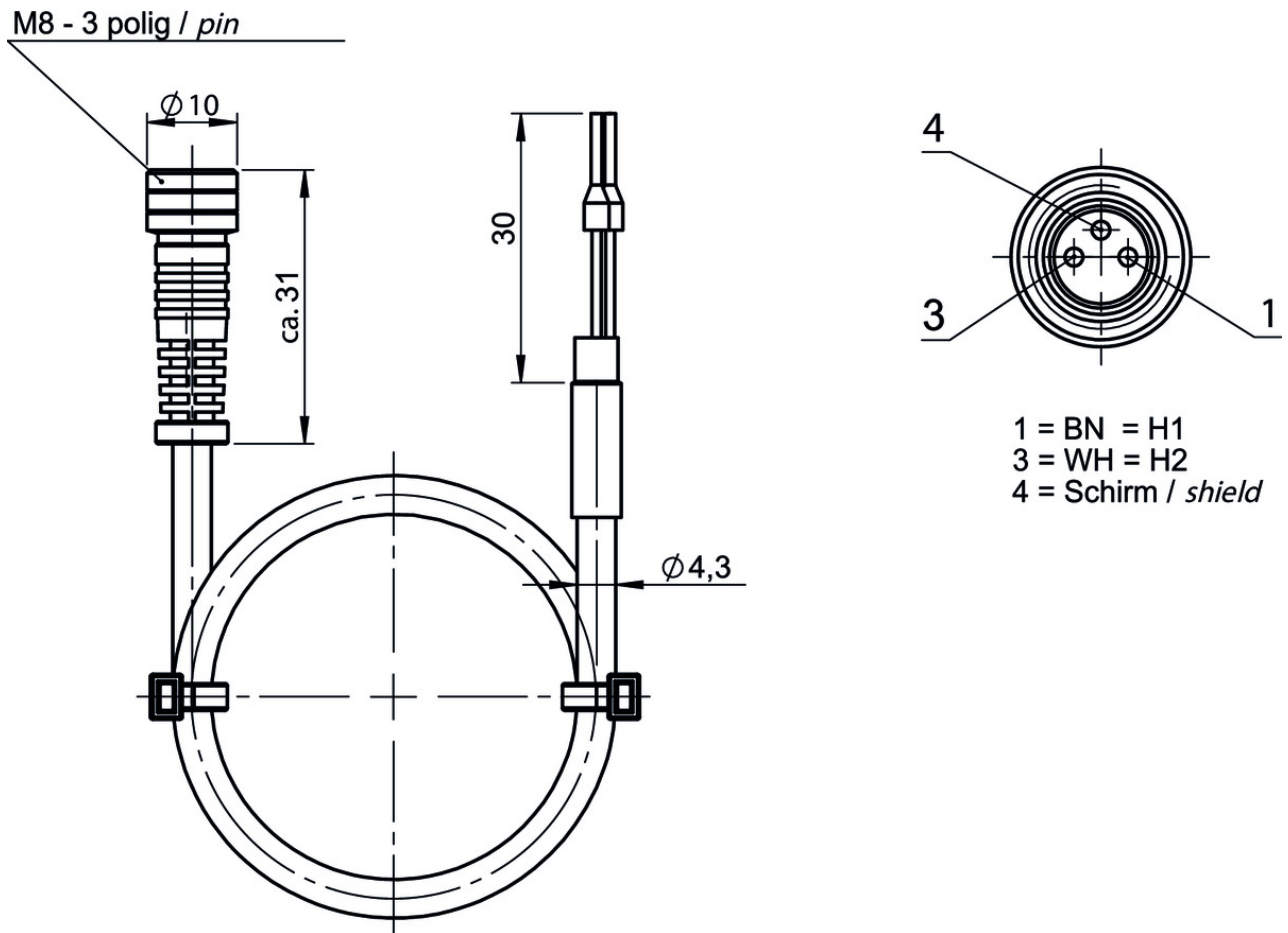
## Electrical connection ratings

|   |         |                |
|---|---------|----------------|
| Nominal current                                 |         |                |
|   | At 25°C | 4 A            |
| Rated voltage                                   |         | 60 V           |
| Rated surge voltage according to IEC 60664-1    |         | 1500 V         |
| Degree of contamination according to EN 60664-1 |         | 3              |
| Specific cable resistance                       |         |                |
|   | At 20°C | 78 Ω/km        |
| Cable shielding                                 |         | Yes <b>[1]</b> |
| Test voltage                                    |         |                |
|   | Wire    | 0,5 kV         |
| Specific inductance                             |         | 0,45 mH/km     |

|                      |             |           |
|----------------------|-------------|-----------|
| Specific capacitance | Core/core   | 60 nF/km  |
|                      | Core/screen | 110 nF/km |

[1] Coverage 85%

### Dimension drawing



### Catalogs

✓ Transponder-coded safety systems with external evaluation

|   | Doc. no. | Version  | Language | Download |
|---|----------|----------|----------|----------|
| Transpondercodierte Sicherheitssysteme mit externer Auswertung      | 127596   | 01-12/16 |          | 3.1 MB   |
| Transponder-coded safety systems with external evaluation           | 127597   | 01-12/16 |          | 3.0 MB   |
| Systèmes de sécurité à codage par transpondeur avec analyse externe | 137968   | 01-12/16 |          | 3.0 MB   |

Sistemas de seguridad con codificación por transponder y evaluación externa

139969

01-12/16



 3.0 MB

**CAD data**

CAD data for this item on TraceParts