

Datasheet - SHGV/ESS21S2/xxx/103

Key transfer system / SHGV/ESS21 - Key selector switch



(Minor differences between the printed image and the original product may exist!)

Ordering details

Product type description	SHGV/ESS21S2/xxx/103
Article number	SHGV/ESS21S2/xxx/103
EAN code	
notice	In the order/inquiry the requested lock number "xxx" must be specified (e.g. SHGV/ESS21S2/125/103)! If no lock number is indicated in the order/inquiry, we will supply a lock number at our discretion. The user must ensure that lock numbers are not assigned twice in a single plant (factory site)! The user must ensure that no double key bit numbers are allocated on one site (company site)!
eCl@ss	27-27-26-03

Approval

Approval



Classification

B10d Normally-closed contact (NC)	100.000 operations
Mission time	20 Years
Standards	EN ISO 13849-1

Global Properties

Product name	Schlüssel-Wahlschalter
Standards	IEC/EN 60947-1, IEC 60947-5-1, EN 1088
Compliance with the Directives (Y/N)	Yes
Suitable for safety functions (Y/N)	Yes
Mounting	mounting flange
Mounting position	arbitrarily
Materials	
- Material of the housings	Plastic, glass-fibre reinforced thermoplastic, self-extinguishing
- Material of the contacts	Silver
- Material of the front ring	Aluminium
- Material of the cylinder lock	Steel
Design	Key - Selector switch - Front plate mounting
Color	
- Colour of the front ring	■ Silver
- Colour of the cylinder lock	■ Silver
- Colour of the key grip	■ Silver
- Contact element colour	■ Black
Weight	110 g
Can be illuminated (Y/N)	No
Key number	xxx
Closure	variable

Mechanical data

Connection type	Screw connection
Cable section	
- Min. Cable section	0,5 mm ² , rigid 0,5 mm ² , flexible
- Max. Cable section	2.5 mm ² , rigid 2.5 mm ² , flexible
Tightening torque for the terminals	max. 1 Nm
Mechanical life	300.000 operations
Mechanical life contact element	1.000.000 operations
Switching frequency	5/h
notice	All indications about the cable section are including the conductor ferrules.
restistance to shock	110 g / 4 ms
resistant to vibration	> 20 g / 10...200 Hz
Bounce duration	< 5 ms
Latching (Y/N)	Yes
Unlocking type	Rotating unlatcher
Probing possible (Y/N)	No
Latching position	right
Front plate thickness	
- min. front plate thickness	1 mm
- max. front plate thickness	6 mm
Tightening torque for fixing screws	0,6 Nm
Number of switch positions	2 piece
Number of plunger	1
Key withdrawal position	90°
Key withdrawal position	Position I

Ambient conditions

Ambient temperature

- Min. environmental temperature	-25 °C
- Max. environmental temperature	+75 °C
Storage and transport temperature	
- Min. Storage and transport temperature	-
- Max. Storage and transport temperature	-
Fully insulated (Y/N)	Yes
Sealing type	membrane, lip seal, Form seals
Protection type IP	IP65
Protection class-Terminals	IP20
Protection class switching compartments	IP40

Electrical data

Design of control element	Opener (NC), Normally open contact (NO)
Switching principle	Creep circuit element
Number of auxiliary contacts	1 piece
Number of safety contacts	1 piece
Rated insulation voltage U_i	400 V
Thermal test current I_{the}	10 A
Utilisation category	AC-15: 230 V / 8 A DC-13: 24 V / 5 A
Max. fuse rating	10 A gG D-fuse
Suitable for low-voltages	≥ 5 V, 3.2 mA
Test voltage (enclosed)	2500 VAC

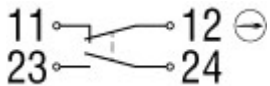
LED switching conditions display

With integrated LED (Y/N)	No
---------------------------	----


Dimensions


Dimensions	
- Height with key (and contact element)	60 mm (119 mm)
- Diameter of the front ring	29.5 mm
- diameters for the cylinder lock	22 mm
- Hole, diameter	22.3 mm + 0,4 mm
Spacing	40 x 50 mm


Diagram

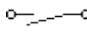


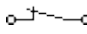
Note Diagram

 positive break NC contact

 active


 no active

 Normally-open contact

 Normally-closed contact

Ordering code

SHGV(1)(2)/ESS21S2/(3)(4)/(5)

notice	Not all variations can be supplied. The available order code used to convert the product part name.
(1) without -Z/	Included in standard version Locking system Central locking system-Locking system
(2) without /SR	Included in standard version Silver
(3) xxx	Key number (n) 100 ... 999
(4) oo/oo	Colour of the key grip  and all combinations resulting thereof
(5) 103	1 Opener (NC) / 1 Normally open contact (NO)

Documents

Operating instructions and Declaration of conformity (es) 2 MB, 22.08.2016

Code: mrl_shgv-sve-svm_es

Operating instructions and Declaration of conformity (jp) 2 MB, 23.03.2017

Code: mrl_shgv-sve-svm_jp

Operating instructions and Declaration of conformity (de) 2 MB, 25.07.2016

Code: mrl_shgv-sve-svm_de

Operating instructions and Declaration of conformity (fr) 2 MB, 16.09.2016

Code: mrl_shgv-sve-svm_fr

Operating instructions and Declaration of conformity (nl) 2 MB, 10.02.2016

Code: mrl_shgv-sve-svm_nl

Operating instructions and Declaration of conformity (en) 2 MB, 25.07.2016

Code: mrl_shgv-sve-svm_en

Operating instructions and Declaration of conformity (cn) 2 MB, 27.07.2017

Code: mrl_shgv-sve-svm_cn

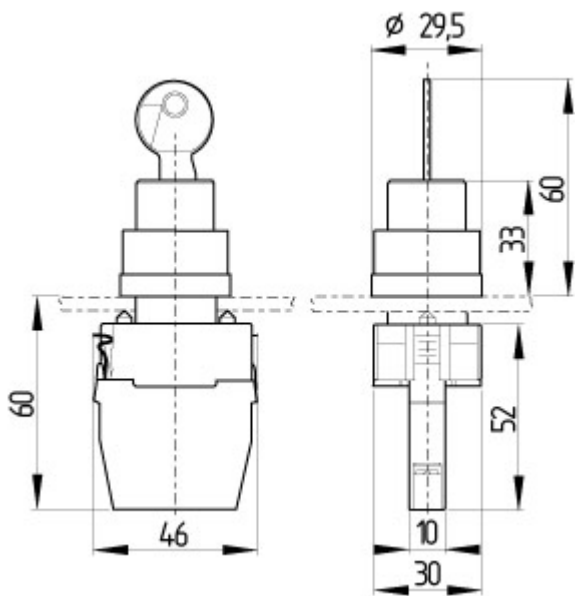
Operating instructions and Declaration of conformity (pl) 2 MB, 22.11.2016

Code: mrl_shgv-sve-svm_pl

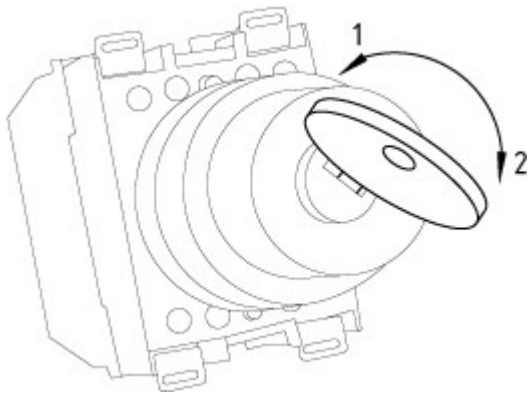
Operating instructions and Declaration of conformity (it) 2 MB, 02.09.2016

Code: mrl_shgv-sve-svm_it

Images



Dimensional drawing (basic component)



Application

K.A. Schmersal GmbH & Co. KG, Möddinghofe 30, D-42279 Wuppertal

The data and values have been checked thoroughly. Technical modifications and errors excepted.

Generiert am 10.11.2017 - 13:53:02h Kasbase 3.2.7.F.64I